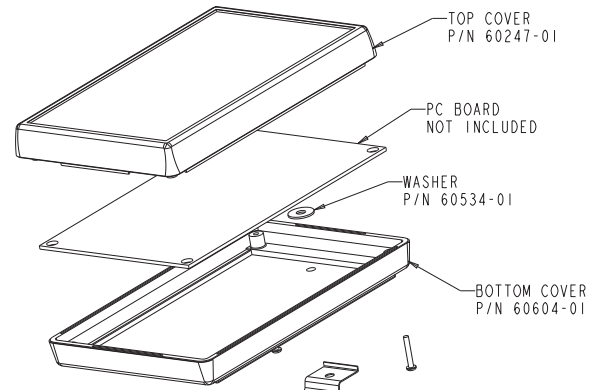


4X ASSEMBLY SCREW  
P/N 60228-01

**HP**

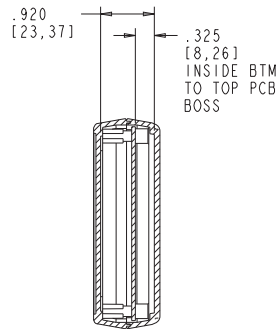
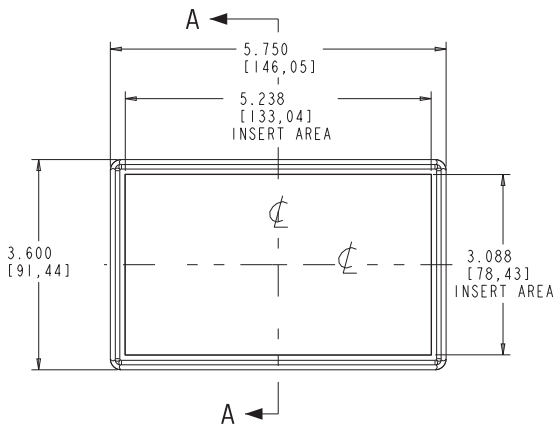


4X ASSEMBLY SCREW  
P/N 60228-01

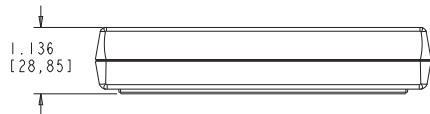
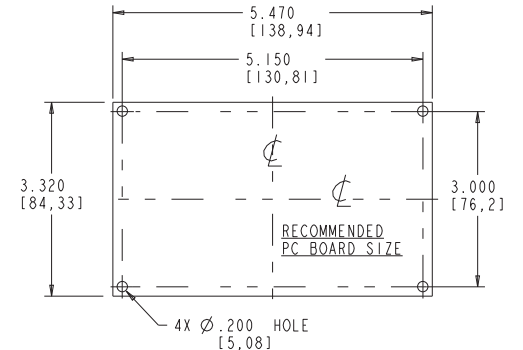
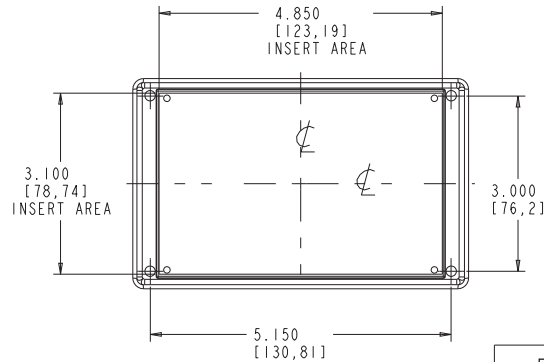
**HP-BC**

RIVET  
P/N 60535-01

BELT CLIP  
P/N 63449-01



**SECTION A-A**



**PACINTEC®**  
1-610-361-4200

**HP , HP-BC**

VISIT **PACINTEC®**  
ON THE WORLD WIDE WEB  
[www.pactecenclosures.com](http://www.pactecenclosures.com)

COLOR / MATERIAL CODE		
COLOR	94HB	94VO
BLACK	000	028
P.C.BONE	039	060

DRAWING NUMBER	REV
60278	B

# Mouser Electronics

Authorized Distributor

Click to View Pricing, Inventory, Delivery & Lifecycle Information:

[PacTec:](#)

[64823-510-039 K-HP-XH-BONE Kit](#) [65110-510-000 HP-LP Black Kit](#) [64820-510-000 HP-XH Black Kit](#) [61989-510-039 HP Bone Kit](#)