

THIS DRAWING IS UNPUBLISHED. RELEASED FOR PUBLICATION

© COPYRIGHT - TE Connectivity Ltd.

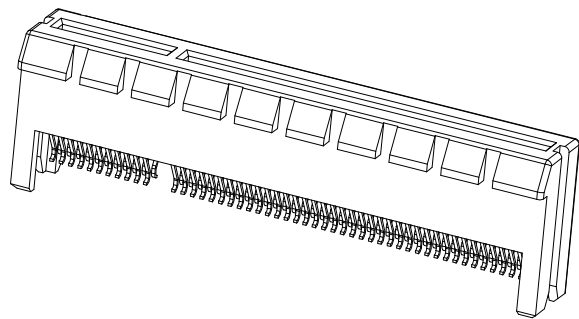
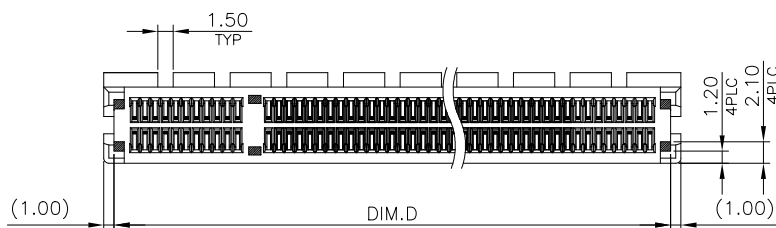
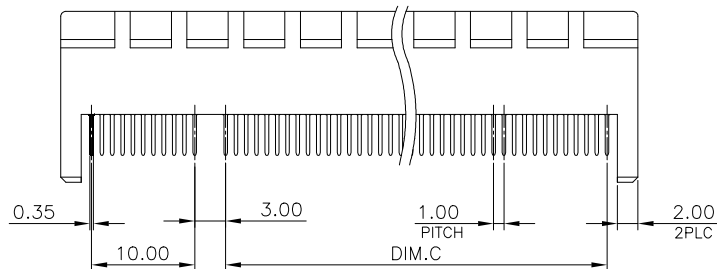
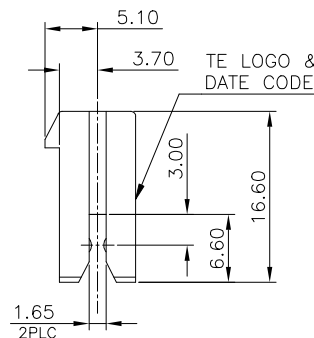
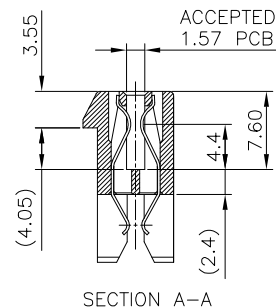
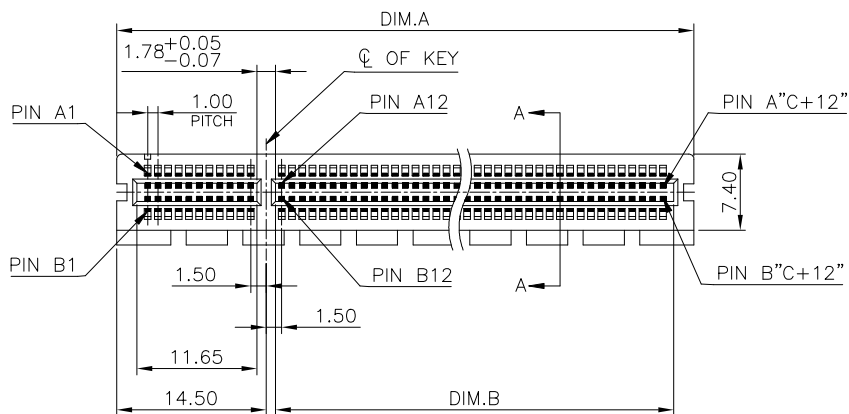
ALL RIGHTS RESERVED.

REVISIONS

P	LTR	DESCRIPTION	DATE	DWN	APVD
C		ECR-17-013893	10JAN2018	FL	HL

NOTE:

- MATERIAL:  
HOUSING: NY9T UL 94V-0, COLOR: (SEE TABLE).  
CAP: LCP UL 94V-0, COLOR: BLACK.  
CONTACTS: PHOSPHOR BRONZE.
  - FINISH:  
CONTACTS: (SEE TABLE) GOLD PLATED ON CONTACT AREA, 2.54um [100u"] MIN. MATTE-TIN ON SOLDER TAIL, WITH ENTIRE CONTACT UNDERPLATED 1.27um [50u"] MIN. NICKEL.
  - REFLOW SOLDER CAPABLE TO 260°C PER TEST SPEC. TEC-109-201, CONDITION B.
  - WEIGHT:  
36 POS.: 2.9 GRAMS  
64 POS.: 4.0 GRAMS  
98 POS.: 5.4 GRAMS  
164 POS.: 9.1 GRAMS
- ⚠ FOR REFLOW PROCESS, THE CAP MUST BE ATTACHED, IT WILL PROTECT HOUSING WARPAGE.



	0.762um[30u"] MIN.	X-1734857-5
	0.381um[15u"] MIN.	X-1734857-4
OBSOLETE	0.254um[10u"] MIN.	X-1734857-3
OBSOLETE	-0.127um[5u"] MIN.	X-1734857-2
	0.0254um[1u"] MIN.	X-1734857-1
	GOLD PLATING	PART NUMBER

COLOR	87	70	71.65	89	164	8-	-X
BLACK	54	37	38.65	56	98	7-	-X
	37	20	21.65	39	64	6-	-X
	23	6	7.65	25	36	5-	-X
WHITE (NATURE)	87	70	71.65	89	164	4-	-X
	54	37	38.65	56	98	3-	-X
	37	20	21.65	39	64	2-	-X
	D	C	B	A		POSITION NUMBER	PART NUMBER
	DIMENSIONS						

THIS DRAWING IS A CONTROLLED DOCUMENT.

DIMENSIONS: mm	TOLERANCES UNLESS OTHERWISE SPECIFIED: 0 PLC ± - 1 PLC ± 0.3 2 PLC ± 0.2 3 PLC ± 0.15 4 PLC ± - ANGLES ± 3'	DWN B. HSING 05JUN2009 CHK S. CHIEN 05JUN2009 APVD W. KODAMA 05JUN2009	TE Connectivity Ltd.	
MATERIAL: SEE NOTE	FINISH: SEE NOTE	NAME: W. KODAMA PRODUCT SPEC: 108-57854 APPLICATION SPEC: -	PCI EXPRESS CARD EDGE CONNECTOR STRADDLE MOUNT TYPE	
		WEIGHT: 0	SIZE: A3	CAGE CODE: 00779
		CUSTOMER DRAWING	DRAWING NO: C=1734857	RESTRICTED TO: -
			SCALE: 1:1	SHEET: 1 OF 4
				REV: C

4

3

2

1

THIS DRAWING IS UNPUBLISHED.

RELEASED FOR PUBLICATION

-. - .

© COPYRIGHT - TE Connectivity Ltd.

ALL RIGHTS RESERVED.

REVISIONS

P	LTR	DESCRIPTION	DATE	DWN	APVD
-	-	SEE SHEET 1	-	-	-



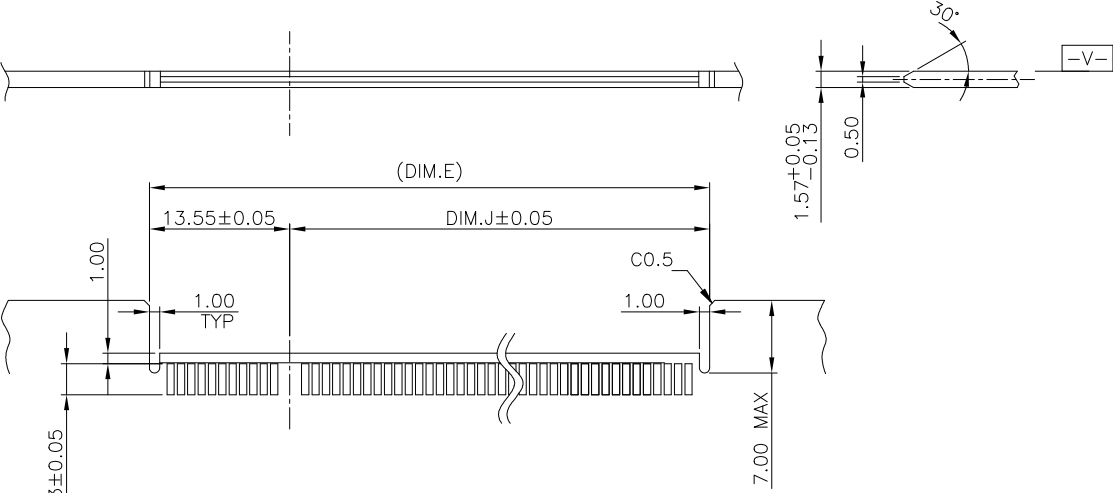
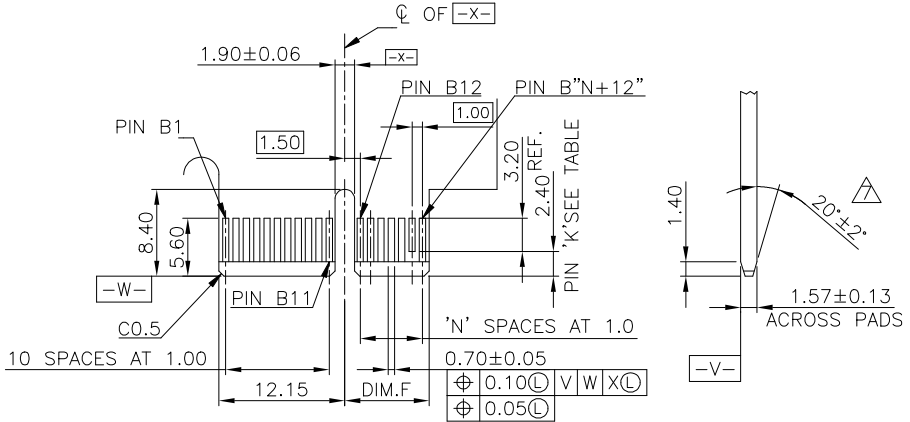
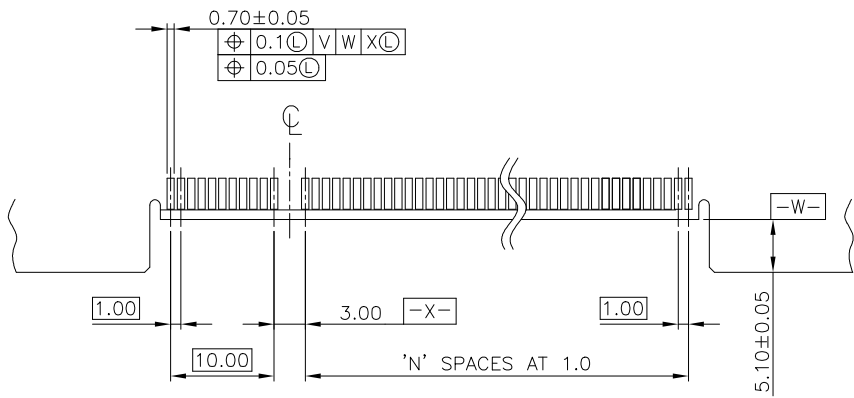
△ 5 ASSEMBLY WITH CAP CONDITION

36	20.4
64	34.4
98	51.4
164	84.4
POSITION	DIM F

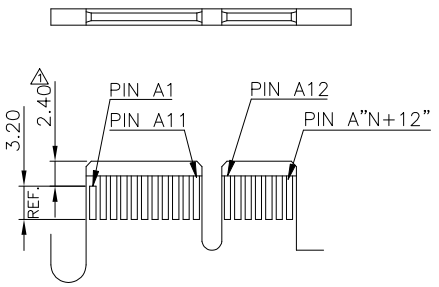
THIS DRAWING IS A CONTROLLED DOCUMENT.		DWN B. HSING 05JUN2009	TE Connectivity Ltd.	
		CHK S. CHIEN 05JUN2009		
DIMENSIONS: mm		APVD W. KODAMA 05JUN2009	NAME PCI EXPRESS CARD EDGE CONNECTOR STRADDLE MOUNT TYPE	
		PRODUCT SPEC 108-57854	-	
TOLERANCES UNLESS OTHERWISE SPECIFIED:		APPLICATION SPEC	-	
0 PLC ± -		WEIGHT 0	SIZE A3	CAGE CODE 00779
1 PLC ± 0.3		DRAWING NO C=1734857		RESTRICTED TO -
2 PLC ± 0.2		CUSTOMER DRAWING		
3 PLC ± 0.15		SCALE 1:1		SHEET 2 OF 4
4 PLC ± -		REV C		
ANGLES ± 3'				
MATERIAL SEE NOTE	FINISH SEE NOTE			

THIS DRAWING IS UNPUBLISHED. RELEASED FOR PUBLICATION  
 © COPYRIGHT - TE Connectivity Ltd. ALL RIGHTS RESERVED.

REVISIONS					
P	LTR	DESCRIPTION	DATE	DWN	APVD
-	-	SEE SHEET 1	-	-	-



I/O PANEL DIRECTION  
 PRIMARY (COMPONENT) SIDE



SECONDARY (SOLDER) SIDE  
 PCI-E ADD-IN CARD EDGE-FINGER DIMENSION.

RECOMMENDED PCB LAYOUT  
 PCB TOLERANCE: ±0.05

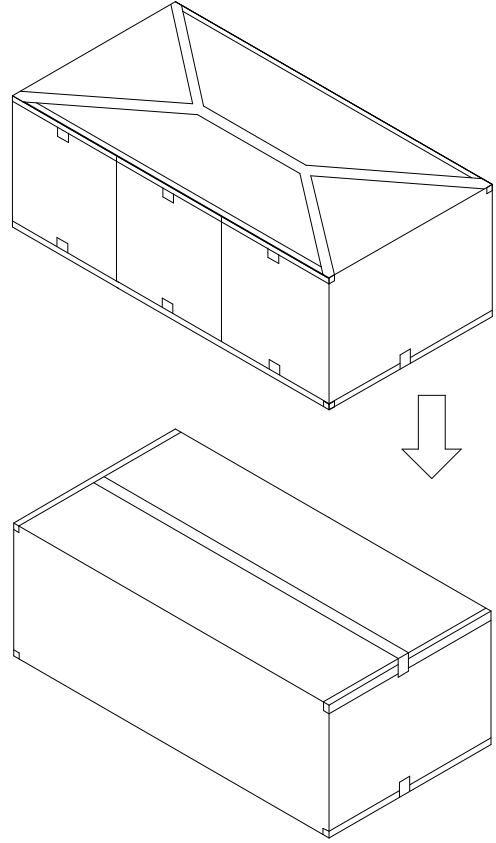
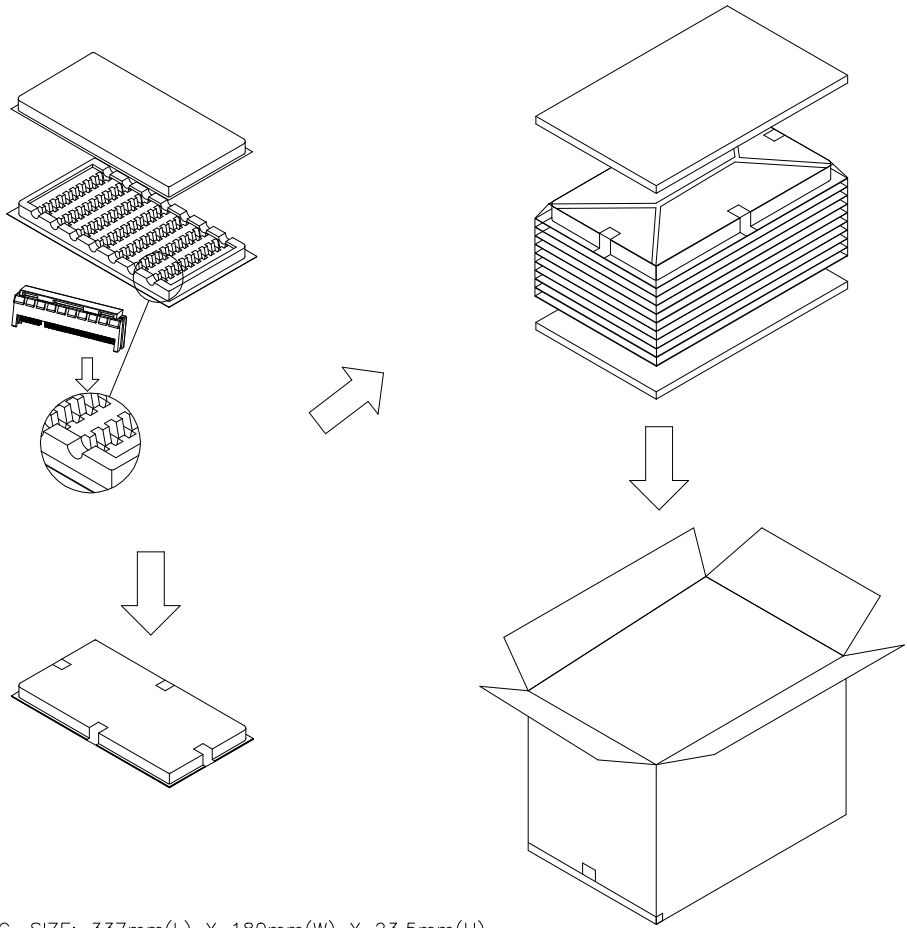
164	70	87.1	73.55	72.15	B17,B31,B48,B81
98	37	54.1	40.55	39.15	B17,B31,B48
64	20	37.1	23.55	22.15	B17,B31
36	6	23.1	9.55	8.15	B17
POS.	N	DIM.E	DIM.J	DIM.F	"K"

6. NO TIE BAR PERMITTED FROM CARD EDGE TO LEADING EDGE OF PAD FOR PINS A1 AND "K"  
 CHAMFER EDGE MUST BE FREE OF CUTTING BURRS

THIS DRAWING IS A CONTROLLED DOCUMENT.		DWN B. HSING 05JUN2009	TE Connectivity Ltd.					
		CHK S. CHIEN 05JUN2009				NAME PCI EXPRESS CARD EDGE CONNECTOR STRADDLE MOUNT TYPE		
		APVD W. KODAMA 05JUN2009						
		APPLICATION SPEC				-		
DIMENSIONS: mm	TOLERANCES UNLESS OTHERWISE SPECIFIED:	MATERIAL SEE NOTE	FINISH SEE NOTE	WEIGHT 0	SIZE A3	CAGE CODE 00779	DRAWING NO C=1734857	RESTRICTED TO -
				CUSTOMER DRAWING	SCALE 1:1	SHEET 3 OF 4	REV C	

THIS DRAWING IS UNPUBLISHED. RELEASED FOR PUBLICATION  
 © COPYRIGHT - TE Connectivity Ltd. ALL RIGHTS RESERVED.

REVISIONS					
P	LTR	DESCRIPTION	DATE	DWN	APVD
-	-	SEE SHEET 1	-	-	-



- NOTES:
1. TRAY : PVC, SIZE: 337mm(L) X 180mm(W) X 23.5mm(H).
  2. CARTON : CORRUGATED, SIZE: 353mm(L) X 199mm(W) X 223mm(H).
  3. CARTON TRANSPARENT BAG : PE, SIZE: 560mm(L) X 400mm(W) X 0.05mm(H).
  4. E.P.E SIZE: 336mm(L) X 182mm(W) X 8mm(H).
  5. BOX TRANSPARENT BAG : PE, SIZE: 600mm(L) X 590mm(W) X 0.06mm(H).
  6. BOX : CORRUGATED, SIZE: 603mm(L) X 371mm(W) X 240mm(H).
  7. QUANTITY: SEE TABL

164	30	300	900	8.2	12.1
98	40	400	1200	6.5	10.4
64	60	600	1800	7.2	11.1
36	70	700	2100	6.1	10.0
POS No.	PIECES PER TRAY	PIECES PER CARTON	PIECES PER BOX	NET WEIGHT (Kg)	GROSS WEIGHT (Kg)

THIS DRAWING IS A CONTROLLED DOCUMENT.		DWN B. HSING	05JUN2009	TE Connectivity Ltd. PCI EXPRESS CARD EDGE CONNECTOR STRADDLE MOUNT TYPE	
		CHK S. CHIEN	05JUN2009		
		APVD W. KODAMA	05JUN2009		
		PRODUCT SPEC 108-57854			
DIMENSIONS: mm		TOLERANCES UNLESS OTHERWISE SPECIFIED:		NAME	
		0 PLC ± -		APPLICATION SPEC	
		1 PLC ± -		-	
		2 PLC ± -		WEIGHT 0	
		3 PLC ± -		A3 00779 C=1734857	
4 PLC ± -		4 ANGLES ± 3'		RESTRICTED TO	
MATERIAL SEE NOTE		FINISH SEE NOTE		SCALE 1:1 SHEET 4 OF 4 REV C	
CUSTOMER DRAWING					

# Mouser Electronics

Authorized Distributor

Click to View Pricing, Inventory, Delivery & Lifecycle Information:

[TE Connectivity:](#)

[8-1734857-5](#)