

TIP32  
TIP32A  
TIP32B  
TIP32C  
SILICON  
PNP POWER TRANSISTORS

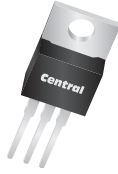


www.centrasemi.com

**DESCRIPTION:**

The CENTRAL SEMICONDUCTOR TIP32 series devices are silicon PNP epitaxial-base power transistors designed for power amplifier and high speed switching applications.

**MARKING: FULL PART NUMBER**



TO-220 CASE

**MAXIMUM RATINGS:** ( $T_C=25^\circ\text{C}$  unless otherwise noted)

	SYMBOL	TIP32	TIP32A	TIP32B	TIP32C	UNITS
Collector-Base Voltage	$V_{CBO}$	40	60	80	100	V
Collector-Emitter Voltage	$V_{CEO}$	40	60	80	100	V
Emitter-Base Voltage	$V_{EBO}$		5.0			V
Continuous Collector Current	$I_C$		3.0			A
Peak Collector Current	$I_{CM}$		5.0			A
Continuous Base Current	$I_B$		1.0			A
Power Dissipation	$P_D$		40			W
Power Dissipation ( $T_A=25^\circ\text{C}$ )	$P_D$		2.0			W
Operating and Storage Junction Temperature	$T_J, T_{stg}$		-65 to +150			$^\circ\text{C}$
Thermal Resistance	$\theta_{JA}$		62.5			$^\circ\text{C/W}$
Thermal Resistance	$\theta_{JC}$		3.13			$^\circ\text{C/W}$

**ELECTRICAL CHARACTERISTICS:** ( $T_C=25^\circ\text{C}$  unless otherwise noted)

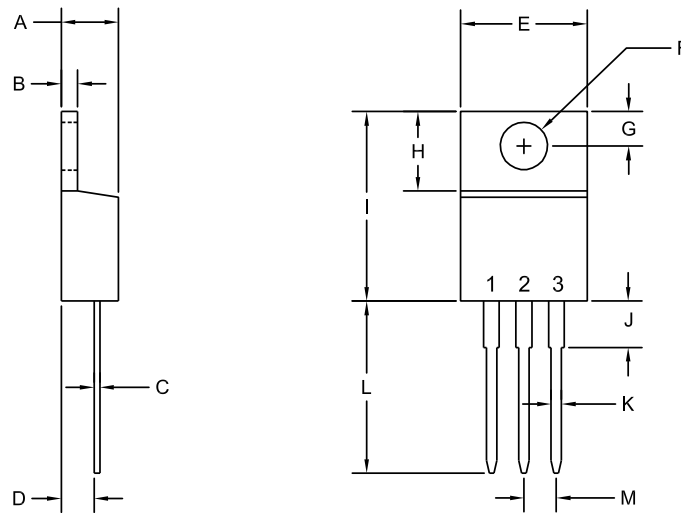
SYMBOL	TEST CONDITIONS	MIN	TYP	MAX	UNITS
$I_{CEO}$	$V_{CE}=30\text{V}$ (TIP32, TIP32A)			0.3	mA
$I_{CEO}$	$V_{CE}=60\text{V}$ (TIP32B, TIP32C)			0.3	mA
$I_{CES}$	$V_{CE}=\text{Rated } V_{CEO}$			0.2	mA
$I_{EBO}$	$V_{EB}=5.0\text{V}$			1.0	mA
$BV_{CEO}$	$I_C=30\text{mA}$ (TIP32)	40			V
$BV_{CEO}$	$I_C=30\text{mA}$ (TIP32A)	60			V
$BV_{CEO}$	$I_C=30\text{mA}$ (TIP32B)	80			V
$BV_{CEO}$	$I_C=30\text{mA}$ (TIP32C)	100			V
$V_{CE(SAT)}$	$I_C=3.0\text{A}, I_B=375\text{mA}$			1.2	V
$V_{BE(ON)}$	$V_{CE}=4.0\text{V}, I_C=3.0\text{A}$			1.8	V
$h_{FE}$	$V_{CE}=4.0\text{V}, I_C=1.0\text{A}$	25			
$h_{FE}$	$V_{CE}=4.0\text{V}, I_C=3.0\text{A}$	10		50	
$h_{fe}$	$V_{CE}=10\text{V}, I_C=0.5\text{A}, f=1.0\text{kHz}$	20			
$f_T$	$V_{CE}=10\text{V}, I_C=0.5\text{A}, f=1.0\text{MHz}$	3.0			MHz
$t_{on}$	$I_C=1.0\text{A}, I_{B1}=I_{B2}=0.1\text{A}, R_L=30\Omega$		0.3		$\mu\text{s}$
$t_{off}$	$I_C=1.0\text{A}, I_{B1}=I_{B2}=0.1\text{A}, R_L=30\Omega$		1.0		$\mu\text{s}$

R1 (12-June 2014)

TIP32  
 TIP32A  
 TIP32B  
 TIP32C  
 SILICON  
 PNP POWER TRANSISTORS



TO-220 CASE - MECHANICAL OUTLINE



R2

LEAD CODE:

- 1) Base
- 2) Collector
- 3) Emitter
- Tab) Collector

MARKING:  
 FULL PART NUMBER

SYMBOL	INCHES		MILLIMETERS	
	MIN	MAX	MIN	MAX
A	0.170	0.190	4.31	4.82
B	0.045	0.055	1.15	1.39
C	0.013	0.026	0.33	0.65
D	0.083	0.107	2.10	2.72
E	0.394	0.417	10.01	10.60
F (DIA)	0.140	0.157	3.55	4.00
G	0.100	0.118	2.54	3.00
H	0.230	0.270	5.85	6.85
I	0.560	0.625	14.23	15.87
J	-	0.250	-	6.35
K	0.025	0.038	0.64	0.96
L	0.500	0.579	12.70	14.70
M	0.090	0.110	2.29	2.79

TO-220 (REV: R2)

R1 (12-June 2014)

## OUTSTANDING SUPPORT AND SUPERIOR SERVICES



---

### PRODUCT SUPPORT

Central's operations team provides the highest level of support to insure product is delivered on-time.

- Supply management (Customer portals)
- Inventory bonding
- Consolidated shipping options
- Custom bar coding for shipments
- Custom product packing

---

### DESIGNER SUPPORT/SERVICES

Central's applications engineering team is ready to discuss your design challenges. Just ask.

- Free quick ship samples (2<sup>nd</sup> day air)
- Online technical data and parametric search
- SPICE models
- Custom electrical curves
- Environmental regulation compliance
- Customer specific screening
- Up-screening capabilities
- Special wafer diffusions
- PbSn plating options
- Package details
- Application notes
- Application and design sample kits
- Custom product and package development

---

### REQUESTING PRODUCT PLATING

1. If requesting Tin/Lead plated devices, add the suffix "TIN/LEAD" to the part number when ordering (example: 2N2222A TIN/LEAD).
2. If requesting Lead (Pb) Free plated devices, add the suffix "PBFREE" to the part number when ordering (example: 2N2222A PBFREE).

---

### CONTACT US

#### Corporate Headquarters & Customer Support Team

Central Semiconductor Corp.  
145 Adams Avenue  
Hauppauge, NY 11788 USA  
Main Tel: (631) 435-1110  
Main Fax: (631) 435-1824  
Support Team Fax: (631) 435-3388  
[www.centrasemi.com](http://www.centrasemi.com)

**Worldwide Field Representatives:**  
[www.centrasemi.com/wwreps](http://www.centrasemi.com/wwreps)

**Worldwide Distributors:**  
[www.centrasemi.com/wwdistributors](http://www.centrasemi.com/wwdistributors)

---

For the latest version of Central Semiconductor's **LIMITATIONS AND DAMAGES DISCLAIMER**, which is part of Central's Standard Terms and Conditions of sale, visit: [www.centrasemi.com/terms](http://www.centrasemi.com/terms)

# Mouser Electronics

Authorized Distributor

Click to View Pricing, Inventory, Delivery & Lifecycle Information:

[Central Semiconductor:](#)

[TIP32B](#) [TIP32C](#) [TIP32A](#) [TIP32A SL](#)