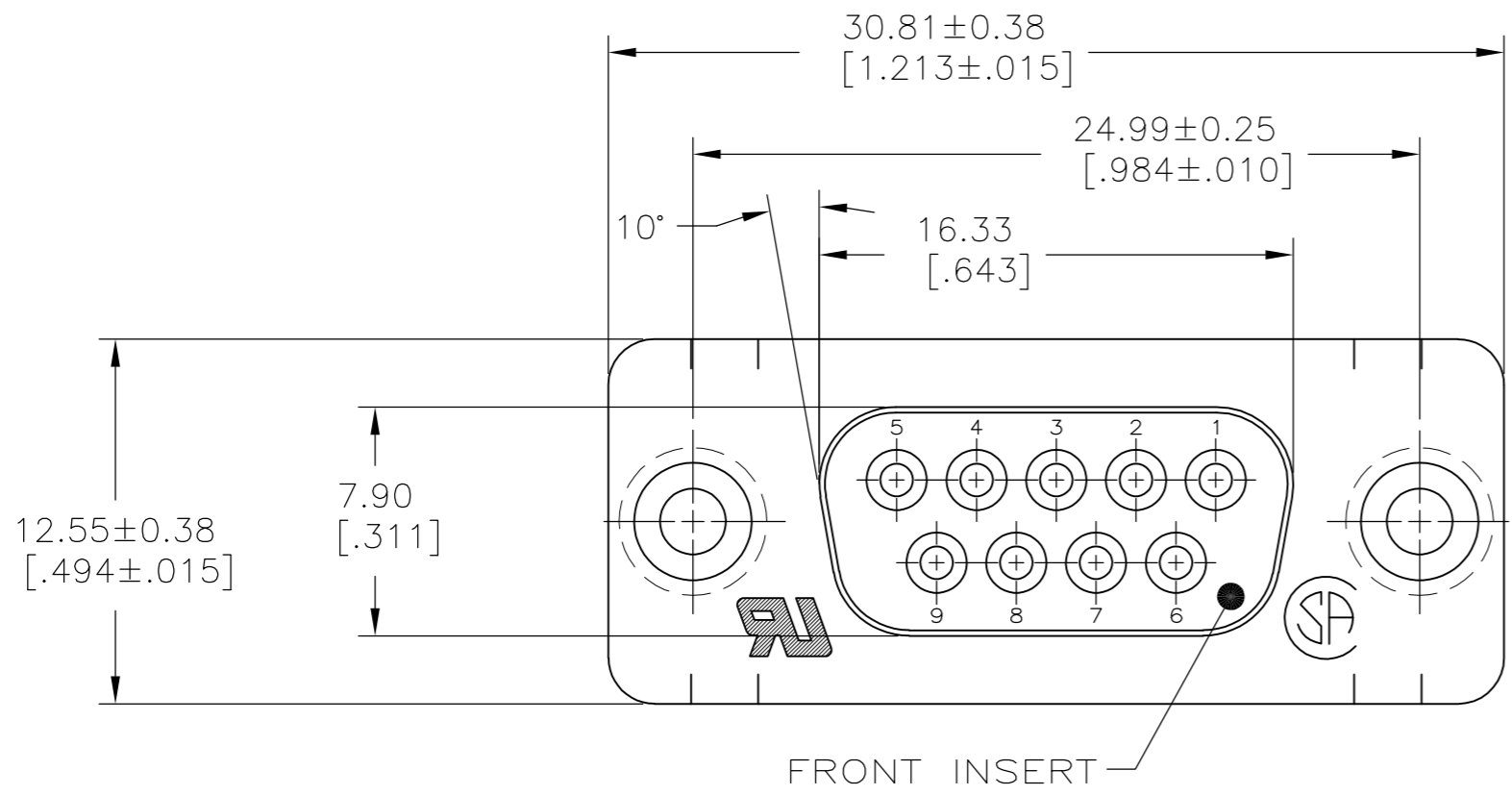
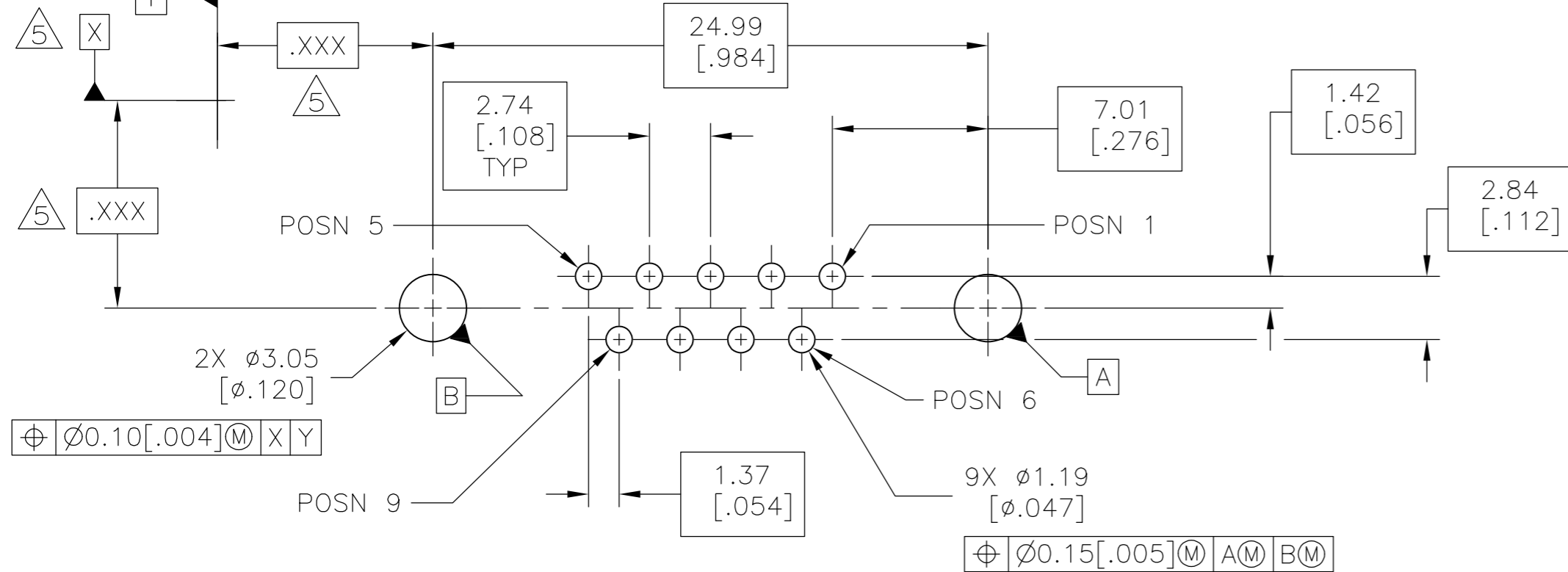
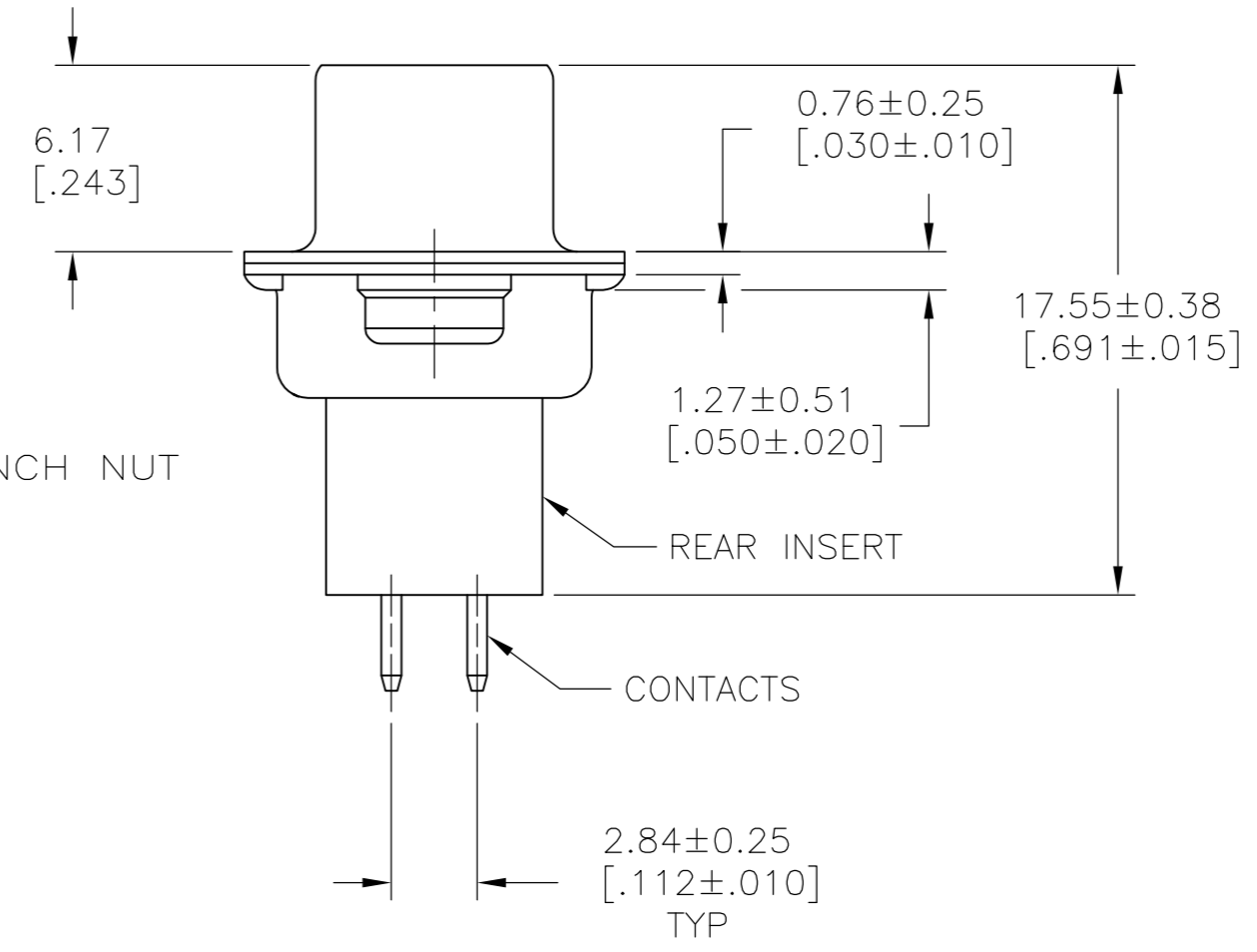
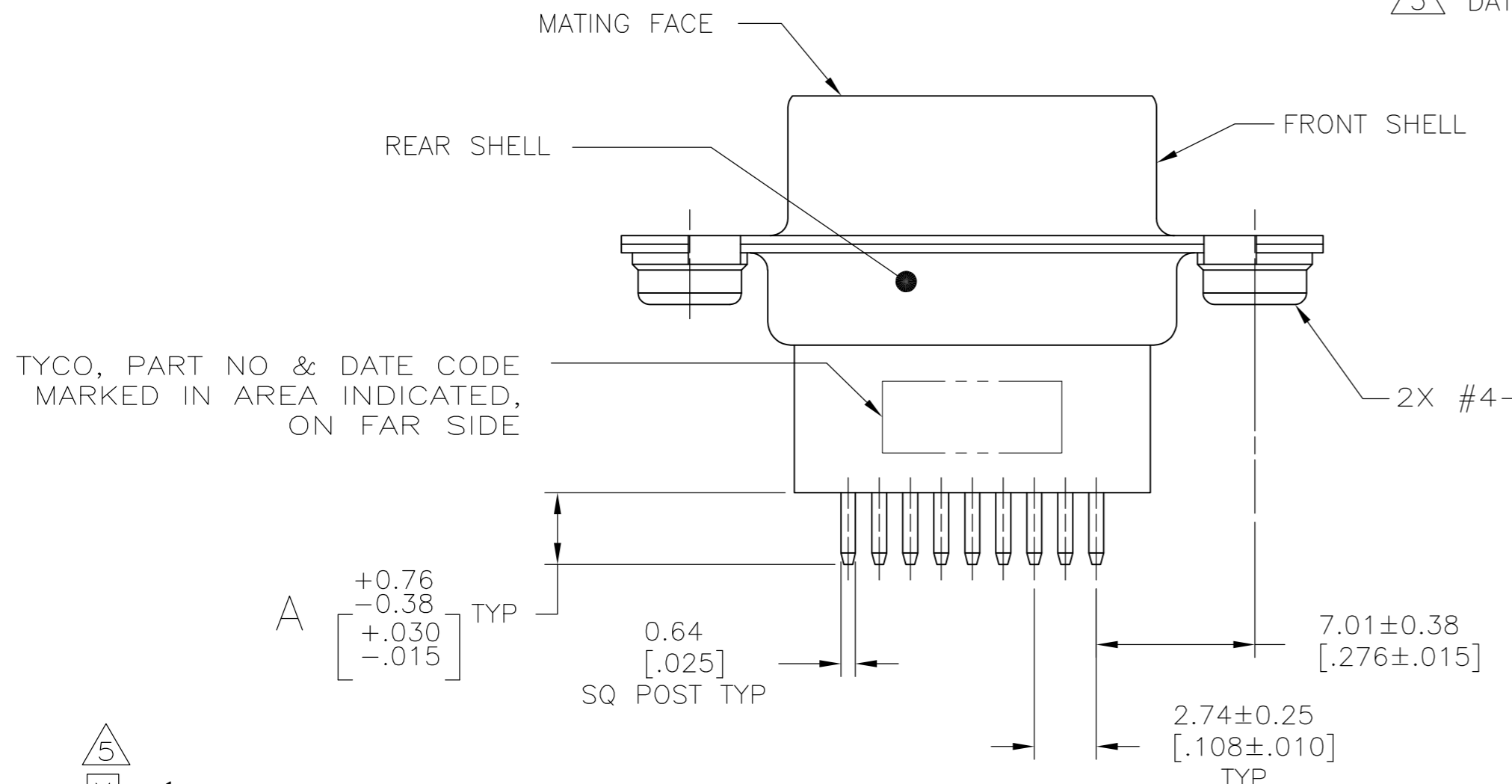


THIS DRAWING IS UNPUBLISHED. RELEASED FOR PUBLICATION
 © COPYRIGHT - E ALL RIGHTS RESERVED.

LOC		DIST		REVISIONS			
P	LTR	DESCRIPTION		DATE	DWN	APVD	
GP	00	E		REVISED PER ECO-14-011808	12AUG2014	AP	SB



- 1 MOLDED PARTS: GLASS-FILLED PBT OR GLASS-FILLED NYLON, UL94V-0 RATED. COLOR: BLACK.
SHELLS: CARBON STEEL
CLINCH NUTS: CARBON STEEL
CONTACTS: PHOSPHOR BRONZE
- 2 SHELLS: 5.08 μm [.000200] MIN TIN OVER 2.54 μm [.000100] MIN COPPER.
CONTACTS: SEE TABLE
CLINCH NUTS: CLEAR CHROMATE OVER ZINC PLATING.
- 3 GOLD FLASH FOR A LENGTH OF 1.90 [.075] MIN FROM MATING END, 2.54 μm [.000100] MIN TIN ON OPPOSITE END, BOTH OVER 1.27 μm [.000050] MIN NICKEL.
- 4 0.76 μm [.000030] MIN GOLD FOR A LENGTH OF 1.90 [.075] MIN FROM MATING END, 2.54 μm [.000100] MIN TIN ON OPPOSITE END, BOTH OVER 1.27 μm [.000050] MIN NICKEL.
-OR-
GOLD FLASH OVER PALLADIUM-NICKEL 0.76 μm [.000030] MIN TOTAL FOR A LENGTH OF 1.90 [.075] MIN FROM MATING END, 2.54 μm [.000100] MIN TIN ON OPPOSITE END, BOTH OVER 1.27 μm [.000050] MIN NICKEL.
- 5 DATUMS AND BASIC DIMENSIONS ESTABLISHED BY CUSTOMER.



RECOMMENDED PC BOARD LAYOUT
CONNECTOR SIDE OF BOARD

4	10.85 [.427]	5747190-5
4	4.78 [.188]	5747190-4
4	3.18 [.125]	5747190-2
3	3.18 [.125]	5747190-1
CONTACT FINISH		A
		PART NO

DIMENSIONS:		TOLERANCES UNLESS OTHERWISE SPECIFIED:		DWN		21SEPT05	
mm [INCHES]		0 PLC	± -	B. LATTUCA		TE Connectivity	
		1 PLC	± -	CHK S. BOLASH	21SEPT05	NAME	
		2 PLC	± .013 [.005]	APVD M. WALMSLEY	21SEPT05	RECEPTACLE ASSEMBLY, SIZE 1, 9 POS.,	
		3 PLC	± -	PRODUCT SPEC		VERTICAL, .025 SQ. POSTS,	
		4 PLC	± -	APPLICATION SPEC		W/CLINCH NUTS, AMPLIMITE HDP	
		ANGLES	± -	114-40013		SIZE	CAGE CODE
		FINISH	± -	WEIGHT		A2	00779
				CUSTOMER DRAWING		SCALE	NTS
						SHEET	1 of 1
						REV	E

Mouser Electronics

Authorized Distributor

Click to View Pricing, Inventory, Delivery & Lifecycle Information:

[TE Connectivity:](#)

[5747190-1](#)