

## Base strip - MSTBA 2,5/ 6-G-LA - 1770520

Please be informed that the data shown in this PDF Document is generated from our Online Catalog. Please find the complete data in the user's documentation. Our General Terms of Use for Downloads are valid (<http://phoenixcontact.com/download>)




Header, Nominal current: 12 A, Rated voltage (III/2): 320 V, Number of positions: 6, Pitch: 5 mm, Color: green, Contact surface: Tin, Mounting: Wave soldering

The illustration shows a 15-position version



### Key Commercial Data

Packing unit	1 pc
Minimum order quantity	50 pc
GTIN	 4 017918 035266
Weight per Piece (excluding packing)	2.85 g
Custom tariff number	85366990
Country of origin	Germany

### Technical data

#### Dimensions

Length	12 mm
Pitch	5.00 mm
Dimension a	25 mm
Constructional height	8.3 mm
Pin dimensions	1 x 1 mm
Hole diameter	1.4 mm

#### General

Range of articles	MSTBA 2,5/..-G -LA
Insulating material group	I

## Base strip - MSTBA 2,5/ 6-G-LA - 1770520

### Technical data

#### General

Rated surge voltage (III/3)	4 kV
Rated surge voltage (III/2)	4 kV
Rated surge voltage (II/2)	4 kV
Rated voltage (III/3)	250 V
Rated voltage (III/2)	320 V
Rated voltage (II/2)	400 V
Connection in acc. with standard	EN-VDE
Nominal current I <sub>N</sub>	12 A
Maximum load current	12 A
Insulating material	PBT
Flammability rating according to UL 94	V0
Color	green
Number of positions	6

#### Standards and Regulations

Connection in acc. with standard	EN-VDE
	CUL
Flammability rating according to UL 94	V0

### Classifications

#### eCl@ss

eCl@ss 4.0	272607xx
eCl@ss 4.1	27260701
eCl@ss 5.0	27260701
eCl@ss 5.1	27260701
eCl@ss 6.0	27260704
eCl@ss 7.0	27440402
eCl@ss 8.0	27440402
eCl@ss 9.0	27440402

#### ETIM

ETIM 3.0	EC001121
ETIM 4.0	EC002637
ETIM 5.0	EC002637

#### UNSPSC

UNSPSC 6.01	30211810
-------------	----------

# Base strip - MSTBA 2,5/ 6-G-LA - 1770520

## Classifications

### UNSPSC

UNSPSC 7.0901	39121409
UNSPSC 11	39121409
UNSPSC 12.01	39121409
UNSPSC 13.2	39121409

## Approvals

### Approvals


#### Approvals


VDE Gutachten mit Fertigungsüberwachung / IECCE CB Scheme / cULus Recognized / EAC

#### Ex Approvals

#### Approvals submitted

### Approval details

VDE Gutachten mit Fertigungsüberwachung 	
Nominal current I <sub>N</sub>	12 A
Nominal voltage U <sub>N</sub>	250 V

IECEE CB Scheme 	
Nominal current I <sub>N</sub>	12 A
Nominal voltage U <sub>N</sub>	250 V

cULus Recognized		
	B	D
Nominal current I <sub>N</sub>	15 A	10 A

## Base strip - MSTBA 2,5/ 6-G-LA - 1770520

### Approvals

	B	D
Nominal voltage UN	300 V	300 V

EAC
-----

### Accessories

#### Accessories

#### Coding element

Coding star - CR-MSTB - 1734401



Coding section, inserted into the recess in the header or the inverted plug, red insulating material

### Fiber optics

Fiber optics - MSTB 2,5/10-LWL 4,0-5,08 - 1858206



COMBICON optical fibers, pitch 5.08 mm, 10-position, divisible, are snapped into the back of the MC header, color: transparent, dimension a: 4.0 mm

Fiber optics - MSTB 2,5/10-LWL 7,0-5,08 - 1858219



COMBICON optical fibers, pitch 5.08 mm, 10-position, divisible, are snapped into the back of the MC header, color: transparent, dimension a: 7.0 mm

### Filler plug

## Base strip - MSTBA 2,5/ 6-G-LA - 1770520

### Accessories

Accessories - MSTB-BL - 1755477



Keying cap, for forming sections, plugs onto header pin, green insulating material

---

### Labeled terminal marker

Marker card - SK 5/3,8:FORTL.ZAHLEN - 0804183



Marker card, Card, white, labeled, Horizontal: Consecutive numbers 1 - 10, 11 - 20, etc. up to 91 - (99)100, Mounting type: Adhesive, for terminal block width: 5 mm, Lettering field: 5 x 3.8 mm

---

Light element - MSTB-LA/RD - 1765690



MSTB light indicator element, 1 position, snaps onto MSTB 2,5/...-G-LA and MSTBA 2,5/...-G-LA, with 5 mm pitch or 5.08 mm pitch if the interlocking is loosened, red, yellow, green LED without preresistor

---

### Additional products

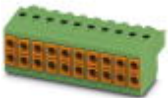
Printed-circuit board connector - TVFKC 1,5/ 6-ST - 1713871



Plug component, Nominal current: 10 A, Rated voltage (III/2): 320 V, Number of positions: 6, Pitch: 5 mm, Connection method: Push-in spring connection, Color: green, Contact surface: Tin

---

Printed-circuit board connector - TVFKCL 1,5/ 6-ST - 1715963



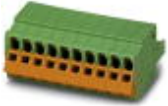
Plug component, Nominal current: 10 A, Rated voltage (III/2): 320 V, Number of positions: 6, Pitch: 5 mm, Connection method: Push-in spring connection, Color: green, Contact surface: Tin

## Base strip - MSTBA 2,5/ 6-G-LA - 1770520

### Accessories

---

#### Plug - QC 1,5/ 6-ST - 1718009



Plug component, Nominal current: 12 A, Rated voltage (III/2): 630 V, Number of positions: 6, Pitch: 5 mm, Connection method: Displacement connection, Color: green, Contact surface: Tin

---

#### Printed-circuit board connector - FKCN 2,5/ 6-ST - 1732784



Plug component, Nominal current: 12 A, Rated voltage (III/2): 320 V, Number of positions: 6, Pitch: 5 mm, Connection method: Push-in spring connection, Color: green, Contact surface: Tin

---

#### Printed-circuit board connector - MSTB 2,5/ 6-ST - 1754520



Plug component, Nominal current: 12 A, Rated voltage (III/2): 320 V, Number of positions: 6, Pitch: 5 mm, Connection method: Screw connection with tension sleeve, Color: green, Contact surface: Tin

---

#### Printed-circuit board connector - MSTBP 2,5/ 6-ST - 1765810



Plug component, Nominal current: 12 A, Rated voltage (III/2): 320 V, Number of positions: 6, Pitch: 5 mm, Connection method: Screw connection with tension sleeve, Color: green, Contact surface: Tin

---

#### Printed-circuit board connector - SMSTB 2,5/ 6-ST - 1768804



Plug component, Nominal current: 12 A, Rated voltage (III/2): 320 V, Number of positions: 6, Pitch: 5 mm, Connection method: Screw connection with tension sleeve, Color: green, Contact surface: Tin

---

## Base strip - MSTBA 2,5/ 6-G-LA - 1770520

### Accessories

#### Printed-circuit board connector - FRONT-MSTB 2,5/ 6-ST - 1779453

Plug component, Nominal current: 12 A, Rated voltage (III/2): 320 V, Number of positions: 6, Pitch: 5 mm, Connection method: Front screw connection, Color: green, Contact surface: Tin



#### Printed-circuit board connector - MSTBT 2,5/ 6-ST - 1779877

Plug component, Nominal current: 12 A, Rated voltage (III/2): 320 V, Number of positions: 6, Pitch: 5 mm, Connection method: Screw connection with tension sleeve, Color: green, Contact surface: Tin



#### Printed-circuit board connector - MVSTBR 2,5/ 6-ST - 1792058

Plug component, Nominal current: 12 A, Rated voltage (III/2): 320 V, Number of positions: 6, Pitch: 5 mm, Connection method: Screw connection with tension sleeve, Color: green, Contact surface: Tin



#### Printed-circuit board connector - MVSTBW 2,5/ 6-ST - 1792566

Plug component, Nominal current: 12 A, Rated voltage (III/2): 320 V, Number of positions: 6, Pitch: 5 mm, Connection method: Screw connection with tension sleeve, Color: green, Contact surface: Tin



#### Printed-circuit board connector - FKCT 2,5/ 6-ST - 1909252

Plug component, Nominal current: 12 A, Rated voltage (III/2): 320 V, Number of positions: 6, Pitch: 5 mm, Connection method: Push-in spring connection, Color: green, Contact surface: Tin



## Base strip - MSTBA 2,5/ 6-G-LA - 1770520

### Accessories

#### Printed-circuit board connector - FKCVR 2,5/ 6-ST - 1909757



Plug component, Nominal current: 12 A, Rated voltage (III/2): 320 V, Number of positions: 6, Pitch: 5 mm, Connection method: Push-in spring connection, Color: green, Contact surface: Tin

---

#### Printed-circuit board connector - FKCVW 2,5/ 6-ST - 1910076



Plug component, Nominal current: 12 A, Rated voltage (III/2): 320 V, Number of positions: 6, Pitch: 5 mm, Connection method: Push-in spring connection, Color: green, Contact surface: Tin

---

#### Printed-circuit board connector - FKC 2,5/ 6-ST - 1910393



Plug component, Nominal current: 12 A, Rated voltage (III/2): 320 V, Number of positions: 6, Pitch: 5 mm, Connection method: Push-in spring connection, Color: green, Contact surface: Tin

---

#### Printed-circuit board connector - QC 1/ 6-ST-BUS - 1921719



Plug component, Nominal current: 10 A, Rated voltage (III/2): 630 V, Number of positions: 6, Pitch: 5 mm, Connection method: Displacement connection, Color: green, Contact surface: Tin, The plug allows conductors to be looped through from module to module, without interruption

---

#### Printed-circuit board connector - FKCS 2,5/ 6-ST - 1974779



Plug component, Nominal current: 12 A, Rated voltage (III/2): 320 V, Number of positions: 6, Pitch: 5 mm, Connection method: Push-in spring connection, Color: green, Contact surface: Tin

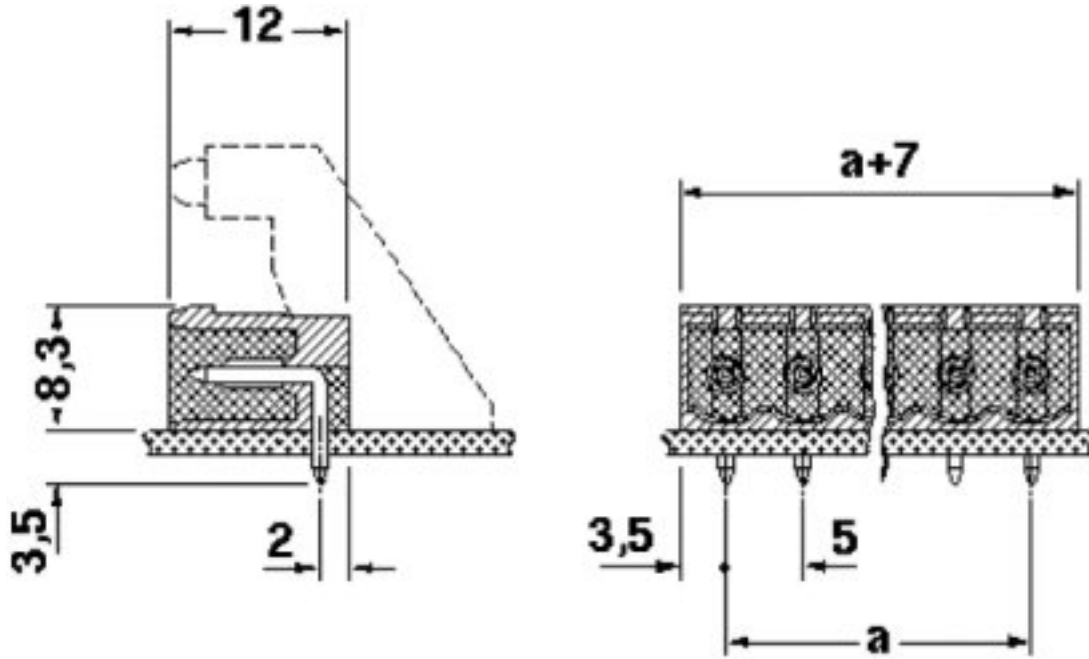
---

### Drawings



# Base strip - MSTBA 2,5/ 6-G-LA - 1770520

Dimensional drawing



# Mouser Electronics

Authorized Distributor

Click to View Pricing, Inventory, Delivery & Lifecycle Information:

[Phoenix Contact:](#)

[1770520](#)