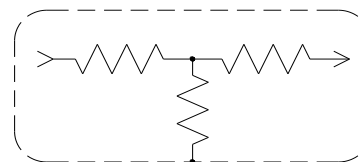
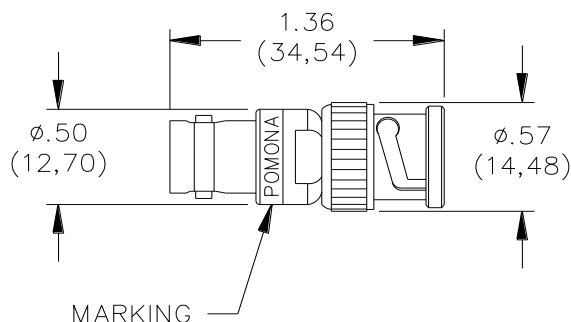


**Model 4108 & 5513
BNC 50 Ohm Attenuator & Kit**



SCHEMATIC

ATTENUATION & VSWR TOLERANCES ALL MODELS	
VSWR	ATTENUATION TOLERANCES
1.1 to 1GHz	±0.4dB to 1GHz
1.2 to 2GHz	±0.45dB to 2GHz
1.35 to 4GHz	±0.65dB to 4GHz

MODEL NUMBER	*ATTENUATION
4108-3dB	3dB
4108-6dB	6dB
4108-10dB	10dB
4108-14dB	14dB
4108-20dB	20dB

Features

- Used to attenuate signals in coaxial lines

Materials

Body and Fittings: Brass per QQ-B-626, Alloy 360, ½ Hard

Center Contact:

Male – Brass per QQ-B-626, Alloy 360, ½ Hard

Female – Beryllium Copper per QQ-C-530, Cond. HT

Outer Contact: Beryllium Copper per QQ-C-530, Cond. HT

Dielectric: PTFE per ASTM1457

Gaskets: Silicone rubber per ZZ-R-765, Class 11, Grade 50

Resistor: 2W, Metal film attenuator

Finish:

Body and Fittings – Tarnish Resistant

Center Contact – Gold plated per MIL-C-39012

Outer Contact – Tarnish Resistant

Marking: *Body* – “POMONA 4108-*”



Ratings

- Nominal Impedance: 50 Ohm
- Power: 2 Watt @ 70°C; derated linearly to .6 watts @ 150°C
- Resistor Tolerance: ± 2.5% @ 25°C
- Operating Temperature: -55°C to +102°C

Ordering Information

Model: **4108-XXdB** (XX – see table for available attenuations)

Model: **5513** Kit contains 1 of each model

USA: Sales: 800-490-2361
Technical Support: technicalsupport@pomonatest.com
Fax: 425-446-5844

Europe: 31-(0) 40 2675 150 **International:** 425-446-5500

Where to Buy: www.pomonaelectronics.com

All dimensions are in inches. Tolerances (except noted): .xx = ±.02” (.51 mm), .xxx = ± .005” (.127 mm). All specifications are to the latest revisions. Specifications are subject to change without notice. Registered trademarks are the property of their respective companies.

Mouser Electronics

Authorized Distributor

Click to View Pricing, Inventory, Delivery & Lifecycle Information:

Pomona:

[4108-20DB](#) [5513](#) [4108-6DB](#) [4108-14DB](#) [4108-10DB](#) [4108-3DB](#)