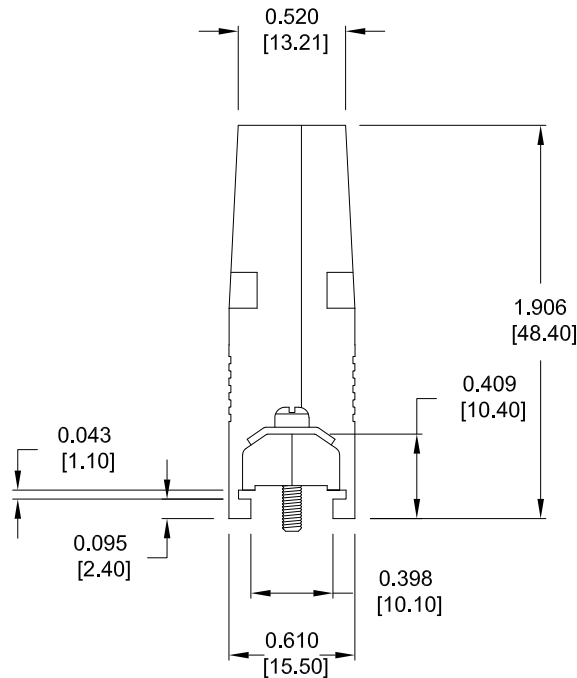
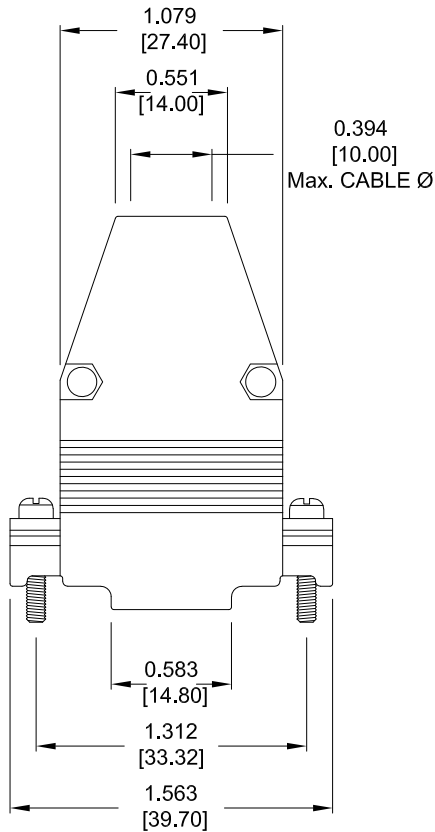


DESCRIPTION: 979 SERIES D-SUB BACKSHELL - DIE CAST

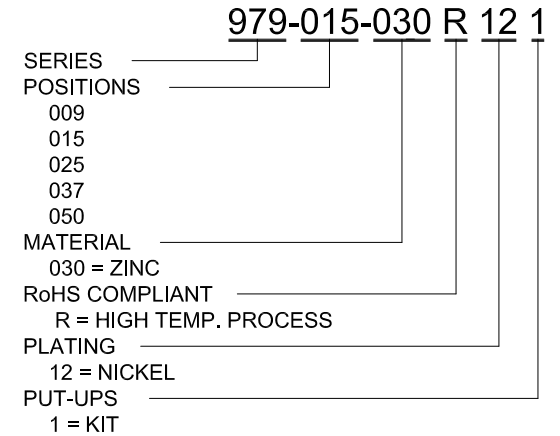
ALL TOLERANCES =  $\pm 0.004$  [ $\pm 0.10$ ]  
UNLESS OTHERWISE INDICATED

**BACK SHELL KIT INCLUDES:**

- 2 - BACK SHELL HALVES
- 2 - 4-40 MATING SCREWS
- 2 - SADDLE WASHERS
- 2 - HOUSING SCREWS
- 2 - HOUSING NUTS
- 1 - GROMMET TREE - VARIOUS SIZES  
(NON-CONDUCTIVE GROMMETS)




MATERIAL: DIE-CAST ZINC ALLOY  
PLATING: NICKEL  
OPERATING TEMPERATURE: -45°C TO +120°C

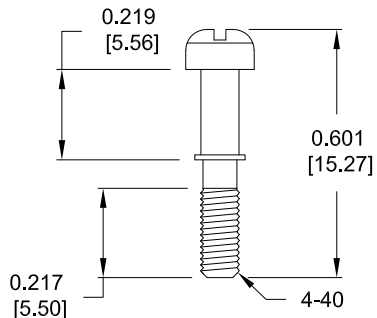


DO NOT SCALE FROM DRAWING

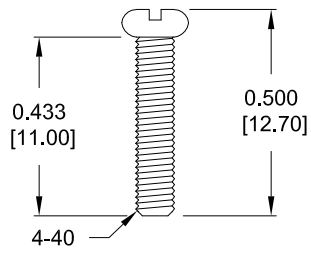
RoHS COMPLIANT

	THESE DRAWINGS AND SPECIFICATIONS ARE THE PROPERTY OF NorComp AND SHALL NOT BE REPRODUCED, COPIED OR USED AS THE BASIS FOR THE MANUFACTURE OF SALE OF APPARATUS WITHOUT WRITTEN PERMISSION.		DRAWN: C. SMITH	DATE: 04-20-10
	<b>NorComp</b>		SCALE: NTS	SHEET 1 OF 2
DWG NO. 979-015-030R121				

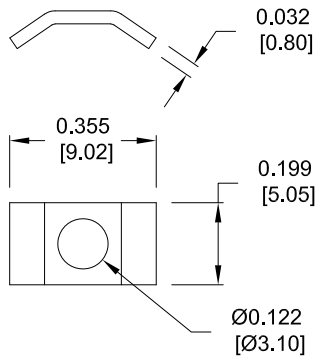
DESCRIPTION: 979 SERIES D-SUB BACKSHELL - HARDWARE



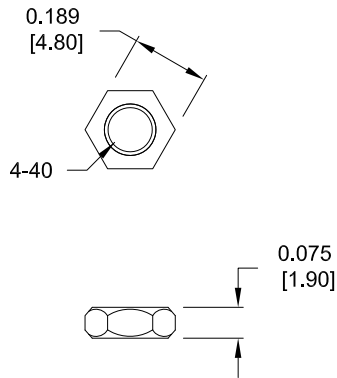
MATING SCREW



HOUSING SCREW



SADDLE WASHER

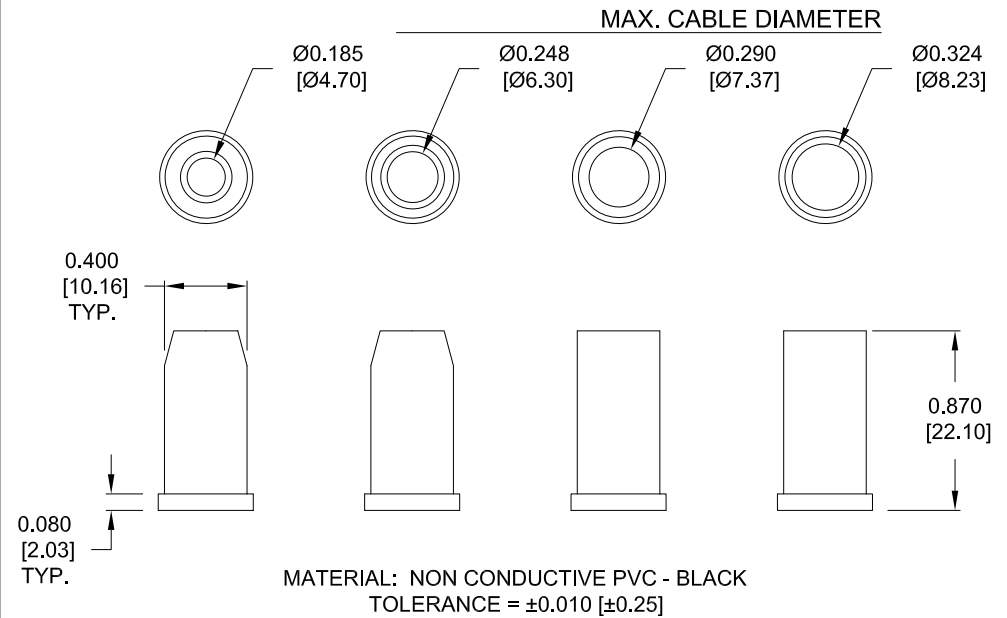


HOUSING NUT

ALL HARDWARE:

MATERIAL = STEEL  
 PLATING = NICKEL  
 TOLERANCE = ±0.002 [±0.05]

RoHS COMPLIANT



MATERIAL: NON CONDUCTIVE PVC - BLACK  
 TOLERANCE = ±0.010 [±0.25]

DO NOT SCALE FROM DRAWING



THESE DRAWINGS AND SPECIFICATIONS ARE THE PROPERTY OF NorComp AND SHALL NOT BE REPRODUCED, COPIED OR USED AS THE BASIS FOR THE MANUFACTURE OF SALE OF APPARATUS WITHOUT WRITTEN PERMISSION.

DRAWN: <b>C. SMITH</b>		DATE: <b>04-20-10</b>	
SCALE: <b>NTS</b>	SHEET <b>2</b>	OF <b>2</b>	REV <b>4</b>
DWG NO.		<b>979-015-030R121</b>	

NorComp

# Mouser Electronics

Authorized Distributor

Click to View Pricing, Inventory, Delivery & Lifecycle Information:

[NorComp:](#)

[979-015-030R121](#) [979-025-030R121](#) [979-050-030R121](#) [979-009-030R121](#)