

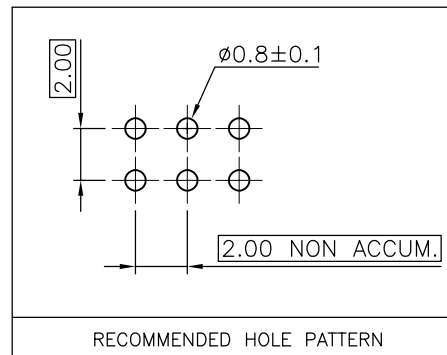
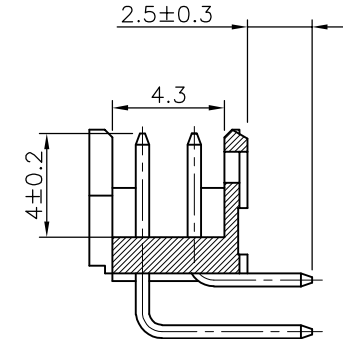
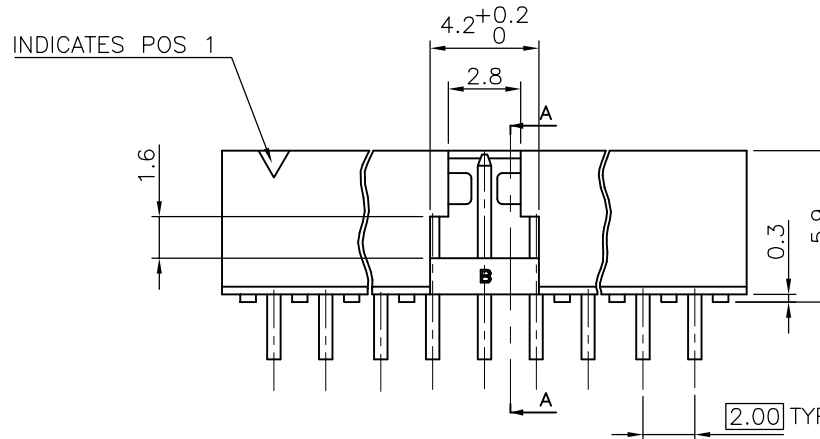
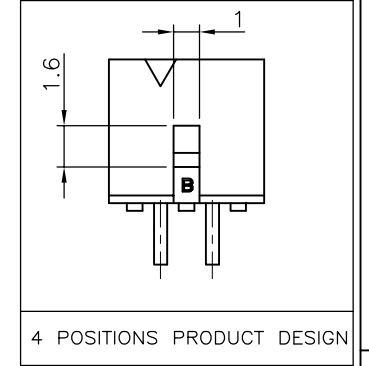
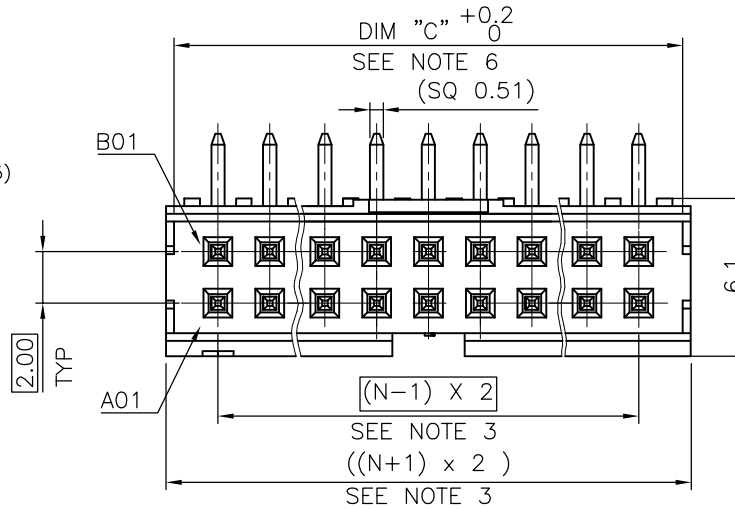
**PRODUCT NUMBER**  
98464-X61-XX-XXXLF

RoHS COMPATIBLE, SEE NOTE 8  
POLARIZATION (SEE NOTE 7)  
PACKAGING OPTIONAL LETTER (SEE NOTE 5)  
TOTAL NB OF POSITIONS, 04 TO 50  
COLOR OPTION, NOTE 1

**PLATING**  
S = 0.38µm GOLD/GXT ON CONTACT AREA  
2µm MIN MATTE TIN ON TAIL  
G = 0.76µm GOLD/GXT ON CONTACT AREA  
2µm MIN MATTE TIN ON TAIL  
F = GOLD FLASH ON CONTACT AREA  
2µm MIN MATTE TIN ON TAIL  
T = 2.0-5.0µm TIN FULL PLATED  
1.27µm Ni MIN UNDERPLATING

**NOTES:**

- MATERIAL HOUSING: HIGH TEMP. THERMOPLASTIC UL 94V-0  
- = STANDARD COLOR CREAM  
B = OPTIONAL COLOR BLACK
- MATERIAL TERMINAL: COPPER ALLOY
- TO DETERMINE DIMENSIONS:  
N = NUMBER OF POSITIONS PER ROW
- 7N MIN. PIN RETENTION IN EITHER DIRECTION.
- PACKAGING:  
= STANDARD PACKAGING IN POLYBAGS  
- = POLYBAGS WHEN POLARISATION FEATURE APPLICABLE  
U = TUBE AVAILABLE FROM 06 TO 50 POS
- FOR POLARIZATION, SPECIFIED PIN  
EXAMPLE: A03= ROW A, POSITION 03 TO OMIT PIN  
OMIT FROM PRODUCT NUMBER IF THIS FEATURE IS NOT APPLICABLE
- RoHS COMPATIBLE PRODUCT SPECIFICATIONS
  - PLATING:  
- "LF" MEANS THE PRODUCT IS LEAD-FREE,  
2µm MINIMUM MATTE TIN OVER 1.27µm  
MINIMUM NICKEL UNDERPLATE.
  - MANUFACTURING PROCESS COMPATIBILITY  
- THE HOUSING WILL WITHSTAND EXPOSURE TO  
260°C ±5°C SOLDER BATH TEMPERATURE FOR  
5 SECONDS IN A WAVE SOLDER APPLICATION  
WITH A 1.6mm MIN THICK CIRCUIT BOARD.  
  
- ALSO COMPATIBLE WITH REFLOW PROCESS  
260°C PEAK TEMPERATURE FOR 30 SECONDES  
MAX IN A CONVECTION, INFRA-RED OR VAPOR  
PHASE OR REFLOW OVEN.
  - LABELLING:  
- MEETS PACKAGING SPECS AS PER GS-14-920  
- THIS PRODUCT MEETS EUROPEAN DIRECTIVES  
AND OTHER COUNTRY REGULATIONS AS DISCRIBED  
IN GS-47-0004



mat'l. code SEE NOTES		surface ISO 1302	tolerance ISO 406 ISO 1101	projection mm	product family MINITEK
ltr	ecn no dr date	tolerances unless otherwise specified		mm	title SHR HEADER 2.00 RIGHT ANGLE TMT
L	B-15815 JCO 13.09.11	angles	X.X ±0.3		
M	B-19190 LMU 14.10.24	linear	X.XX ±0.13	scale 1:1	dwg no 98464
N	B-19797 AMA 14.12.16		X.XXX ±0.05		
P	B-19988 LMU 15.01.13	dr	L.MULIN 04.09.27	FCJ	sheet 1 of 1 size A3
R	B-20254 LMU 15.02.16	engr	J.COMPAGNON 04.09.27		
S	F-32710 LMU 19.02.18	chr			
sheet index		revision sheet	appd J.M.C 04.09.27	type CUSTOMER Drawing	

# Mouser Electronics

Authorized Distributor

Click to View Pricing, Inventory, Delivery & Lifecycle Information:

## [FCI / Amphenol:](#)

[98464-G61-08LF](#) [98464-G61-10LF](#) [98464-G61-12LF](#) [98464-G61-14LF](#) [98464-G61-16LF](#) [98464-G61-18LF](#) [98464-G61-20LF](#) [98464-G61-26LF](#) [98464-G61-40LF](#) [98464-G61-44LF](#) [98464-G61-50LF](#) [98464-S61-08ULF](#) [98464-S61-10ULF](#) [98464-S61-20ULF](#) [98464-S61-22LF](#) [98464-S61-22ULF](#) [98464-G61-24LF](#) [98464-G61-28LF](#) [98464-G61-30LF](#) [98464-G61-32LF](#) [98464-G61-36LF](#) [98464-G61-38LF](#) [98464-G61-42LF](#) [98464-G61-46LF](#) [98464-G61-48LF](#) [98464-S61-14ULF](#) [98464-F61-06LF](#) [98464-S61-04LF](#) [98464-S61-18ULF](#) [98464-F61-16ULF](#) [98464-F61-16LF](#) [98464-G61B22ULF](#) [98464-S61-26ULF](#) [98464-S61-44ULF](#) [98464-S61-06ULF](#) [98464-S61-06LF](#) [98464-S61-12LF](#) [98464-S61-10LF](#) [98464-S61B06ULF](#) [98464-S08-24LF](#)