

## Single Pedal With Cover

### WITH E-STOP BUTTON



Standard OFF-ON Operation - Push pedal to change contact state. Release pedal to return to original state. With 2NC contact Emergency Stop

### INTERNAL CONTACTOR

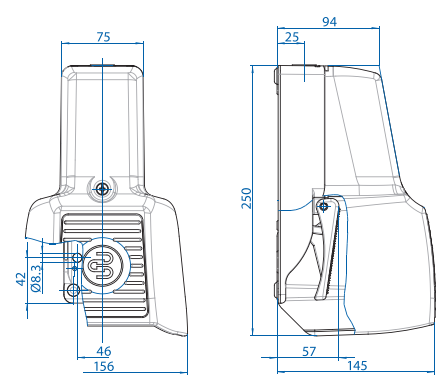


Standard and Latching style with built in contactor can switch up to 16AMPS@400VAC for AC1 applications, with additional 3NO/1NC Contacts

### ANALOG OUTPUT



Analog Output Operation - As the pedal is depress, voltage or amperage (depending on model) is increase. Features an additional programmable PNP NO signaling contact that activates at a preset level.



#### Single pedal foot switch F1

| Article number | Designation   | Switching contacts |
|----------------|---------------|--------------------|
| 606.1600.435   | F1-U1Z NA2 UN | 1NC / 1NO          |

#### Single pedal foot switch F1

| Article number  | Designation     | Switching contacts |
|-----------------|-----------------|--------------------|
| <b>Standard</b> |                 |                    |
| 606.1800.436    | F1-SU1Z LS22 UN | 1NC / 1NO          |
| <b>Latching</b> |                 |                    |
| 606.1800.439    | F1-SU1Y LS22 UN | 1NC / 1NO          |

#### Single pedal foot switch F1

| Article number | Designation | Output Range |
|----------------|-------------|--------------|
| 616.1000.727   | F1-AU0-5    | 0 - 5 V      |
| 616.1000.728   | F1-AU0-10   | 0 - 5 V      |
| 616.1000.729   | F1-AI0-20   | 0 - 20 mA    |
| 616.1000.730   | F1-AI4-20   | 4 - 20 mA    |

# Mouser Electronics

Authorized Distributor

Click to View Pricing, Inventory, Delivery & Lifecycle Information:

[Altech:](#)

[616.1000.728](#) [616.1000.730](#) [606.1600.435](#) [616.1000.727](#) [616.1000.729](#) [606.1800.436](#) [606.1800.439](#)