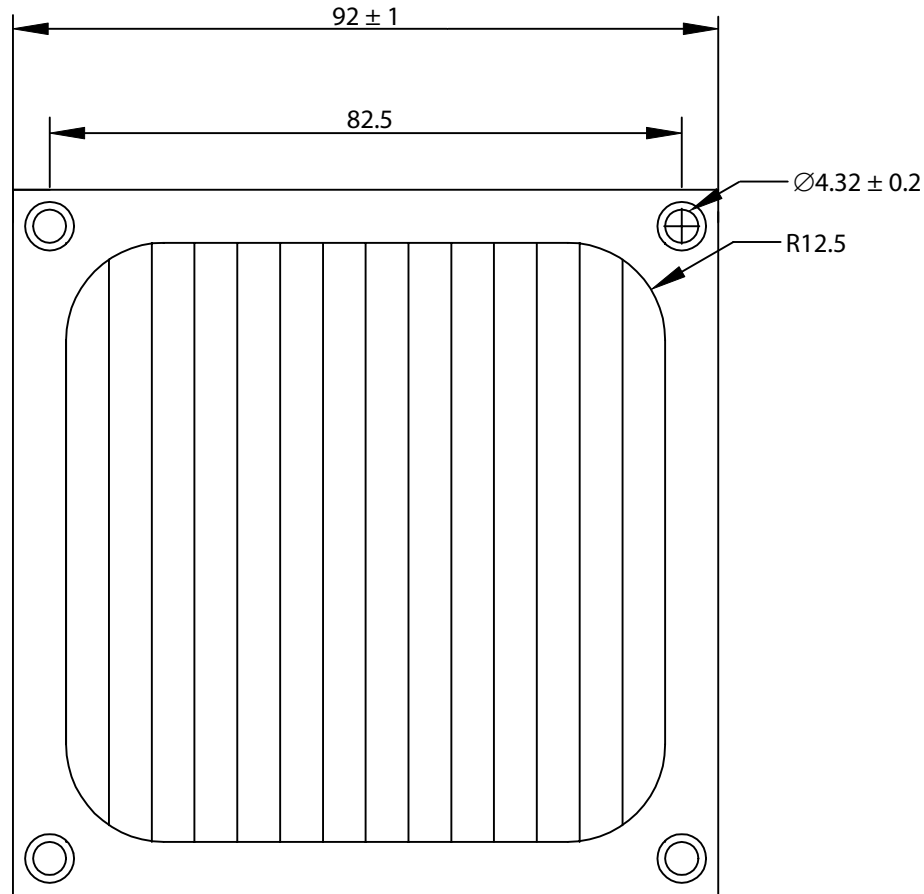


THESE DRAWINGS ARE THE PROPERTY OF QUALTEK ELECTRONICS AND NOT TO BE REPRODUCED FOR OR COMMUNICATED TO A THIRD PARTY WITHOUT THE EXPRESS WRITTEN PERMISSION OF AN OFFICER OF QUALTEK ELECTRONICS.

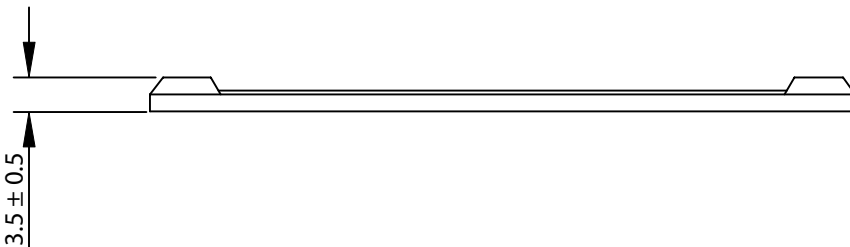
REVISION			
REV.	DESCRIPTION	DATE	APPROVED
B	RoHS Compliancy	06-01-06	



NOTES:

- MATERIAL:
(1)FRAME: ALUMINUM WITH 0.6mm THICKNESS
(2)MESH: 24#/25.4mm STAINLESS STEEL
- FINISH: BLACK E. D.
- GENERAL TOLERANCE UNLESS NOTED IS ± 0.5 mm
- RoHS COMPLIANT

CONTROLLED



Dim range (mm)	Tolerance +/- (mm)	Qualtek Electronics Corp. FAN-S DIVISION		
		Part Number: 06362-B	RoHS Compliant	
0-5	0.1	Description: FAN FILTER SCREEN (92mm)		
5-16	0.15			
16-64	0.2	UNIT: mm	REV: B	
64-250	0.4	Drawn / Date	Checked / Date	Approved / Date
250-1000	0.5	B.ZHANG 03-01-05	03-01-05	JJH / 03-01-05
1000-1500	1.0			

Mouser Electronics

Authorized Distributor

Click to View Pricing, Inventory, Delivery & Lifecycle Information:

[Qualtek:](#)

[06362-B](#)