

THIS DRAWING IS UNPUBLISHED.

RELEASED FOR PUBLICATION

ALL RIGHTS RESERVED.

© COPYRIGHT - By -

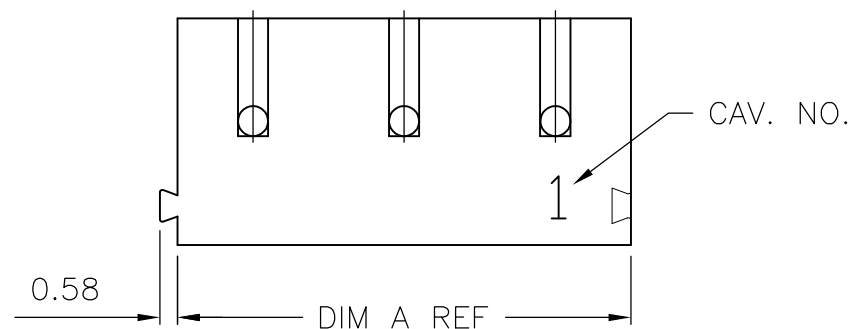
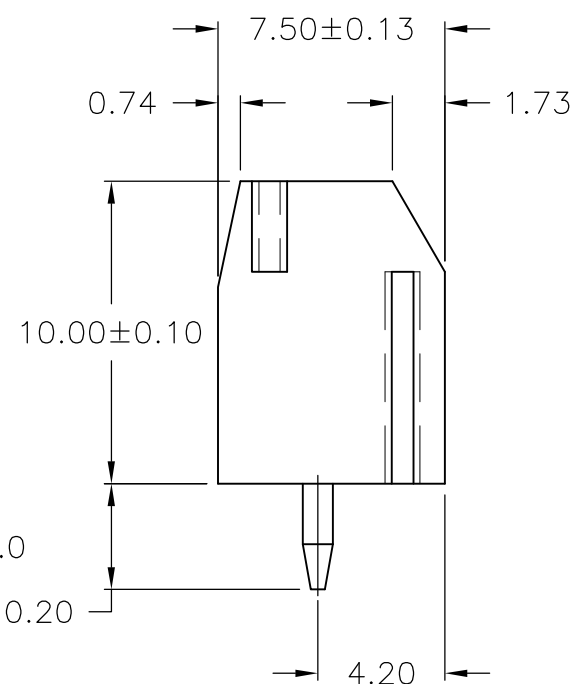
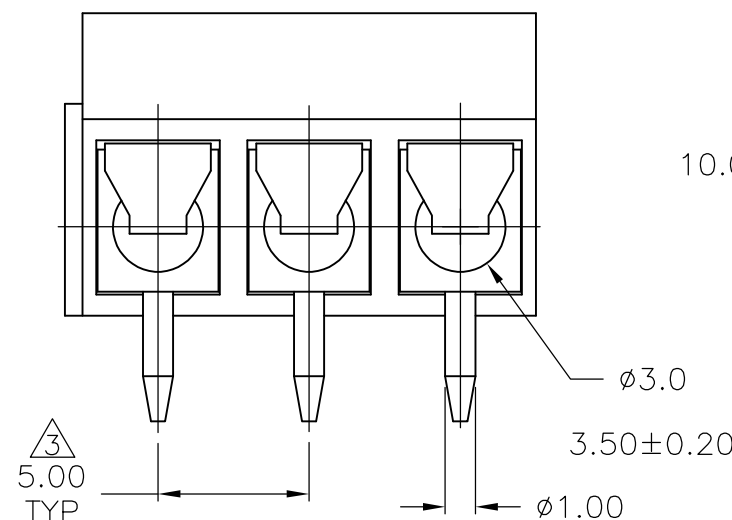
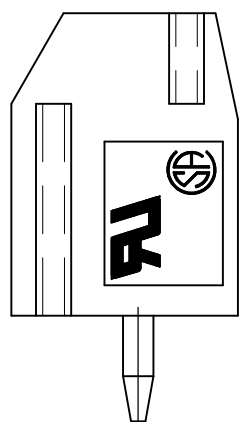
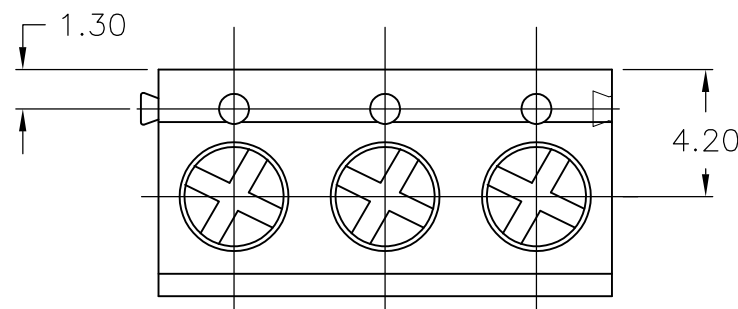
REVISIONS

| P | LTR | DESCRIPTION | DATE | DWN | APVD |
|---|-----|---|---------|-----|------|
| | P1 | PCB LAYOUT ADDED HIGH TEMP PHRASE REMOVED | 02AUG16 | FP | NG |

1. ALL DIMENSIONS ARE IN MM.
2. RECOMMENDED PC-BOARD-HOLES DIAMETER: $\phi 1.20\text{MM}$ TO $\phi 1.40\text{MM}$.

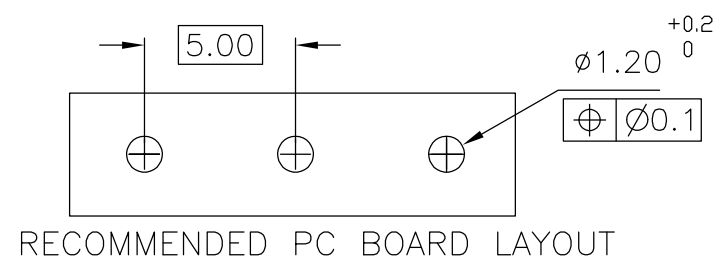
$\triangle 3$ NON CUMULATIVE.

$\triangle 4$ OBSOLETE



1776244-3 AS SHOWN

| | | | |
|---------------|--------|-------------|-------------|
| $\triangle 4$ | 120.00 | 24 | 2-1776244-4 |
| $\triangle 4$ | 115.00 | 23 | 2-1776244-3 |
| $\triangle 4$ | 110.00 | 22 | 2-1776244-2 |
| $\triangle 4$ | 105.00 | 21 | 2-1776244-1 |
| $\triangle 4$ | 100.00 | 20 | 2-1776244-0 |
| $\triangle 4$ | 95.00 | 19 | 1-1776244-9 |
| $\triangle 4$ | 90.00 | 18 | 1-1776244-8 |
| $\triangle 4$ | 85.00 | 17 | 1-1776244-7 |
| $\triangle 4$ | 80.00 | 16 | 1-1776244-6 |
| $\triangle 4$ | 75.00 | 15 | 1-1776244-5 |
| $\triangle 4$ | 70.00 | 14 | 1-1776244-4 |
| $\triangle 4$ | 65.00 | 13 | 1-1776244-3 |
| $\triangle 4$ | 60.00 | 12 | 1-1776244-2 |
| $\triangle 4$ | 55.00 | 11 | 1-1776244-1 |
| | 50.00 | 10 | 1-1776244-0 |
| | 45.00 | 9 | 1776244-9 |
| | 40.00 | 8 | 1776244-8 |
| | 35.00 | 7 | 1776244-7 |
| | 30.00 | 6 | 1776244-6 |
| | 25.00 | 5 | 1776244-5 |
| | 20.00 | 4 | 1776244-4 |
| | 15.00 | 3 | 1776244-3 |
| | 10.00 | 2 | 1776244-2 |
| | DIM. A | NO. OF POS. | PART NUMBER |



| | | | | |
|--|--|-----------------------|---|-----------------|
| THIS DRAWING IS A CONTROLLED DOCUMENT. | | DWN S SCHLEGEL 5/6/05 | STE TE Connectivity | |
| DIMENSIONS: mm | | CHK C RICHARD 5/6/05 | | |
| TOLERANCES UNLESS OTHERWISE SPECIFIED: | | APVD C RICHARD 5/6/05 | NAME | |
| 0 PLC ± - | | PRODUCT SPEC | TERMINAL BLOCK PCB MOUNT, STRAIGHT SIDE WIRE ENTRY, W/INTERLOCK, 5.00mm PITCH | |
| 1 PLC ± 0.3 | | APPLICATION SPEC | - | |
| 2 PLC ± 0.25 | | WEIGHT 0 | SIZE A3 | CAGE CODE 00779 |
| 3 PLC ± - | | CUSTOMER DRAWING | DRAWING NO | RESTRICTED TO |
| 4 PLC ± - | | | C-1776244 | - |
| ANGLES ± - | | SCALE NTS | SHEET 1 OF 2 | REV P1 |
| FINISH - | | | | |

THIS DRAWING IS UNPUBLISHED.

RELEASED FOR PUBLICATION

ALL RIGHTS RESERVED.

© COPYRIGHT - By -

REVISIONS

| P | LTR | DESCRIPTION | DATE | DWN | APVD |
|---|-----|-------------|------|-----|------|
| - | | SEE SHEET 1 | - | - | - |

1. Application and Features:

- 1-1. Standard sizes are 2 and 3 way-blocks, but every number of contact can be combined, by simply plugging them together and can be ordered as required**
- 1-2. With wire guard for wire protection (for that the screw doesn't press directly on the wire)

2-3. Mechanical:

- 2-3-1. Torque: 4 Kg.cm (Max).
- 2-3-2. Operating temperature: -55°C to +105°C.
- 2-3-3. Solderability: 95% coverage (min).

2. Technical Data:

2-1. Material:

- 2-1-1. HOUSING: PA 6.6, UL 94 V-0, (Blue).
- 2-1-2. Metal Housing: Brass(Cu Zn)
Cu,Tin plated.
- 2-1-3. Wire guard: Stainless steel.
- 2-1-4. Screw: Steel galvanized and chromitized, M2.6

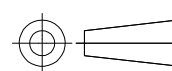
2-2. Electrical:

- 2-2-1. Current rating: 10 Amps/way max.
- 2-2-2. Contact resistance: 20mΩ (Max).
- 2-2-3. Insulation resistance: 5000MΩ /1000V.
- 2-2-4. Withstanding Voltage: 1500VAC (1min).
- 2-2-5. Operation Voltage: 300 VAC.
- 2-2-6. Wire Range: 14-22 AWG.

| | | | | | | | |
|--|--|------------------|------------|------------|---|-----|----|
| THIS DRAWING IS A CONTROLLED DOCUMENT. | | DWN | S SCHLEGEL | 5/6/05 | STE TE Connectivity | | |
| | | CHK | C RICHARD | 5/6/05 | | | |
| | | APVD | C RICHARD | 5/6/05 | NAME | | |
| | | PRODUCT SPEC | | | TERMINAL BLOCK PCB MOUNT, STRAIGHT SIDE WIRE ENTRY, W/INTERLOCK, 5.00mm PITCH | | |
| | | APPLICATION SPEC | | | - | | |
| | | SIZE | CAGE CODE | DRAWING NO | RESTRICTED TO | | |
| | | 0 | A300779 | C-1776244 | - | | |
| CUSTOMER DRAWING | | SCALE | NTS | SHEET | 2 OF 2 | REV | P1 |

DIMENSIONS:

mm



TOLERANCES UNLESS OTHERWISE SPECIFIED:

| | |
|--------|--------|
| 0 PLC | ± - |
| 1 PLC | ± 0.3 |
| 2 PLC | ± 0.25 |
| 3 PLC | ± - |
| 4 PLC | ± - |
| ANGLES | ± - |

MATERIAL

FINISH

-

-

Mouser Electronics

Authorized Distributor

Click to View Pricing, Inventory, Delivery & Lifecycle Information:

[TE Connectivity:](#)

[1776244-6](#)