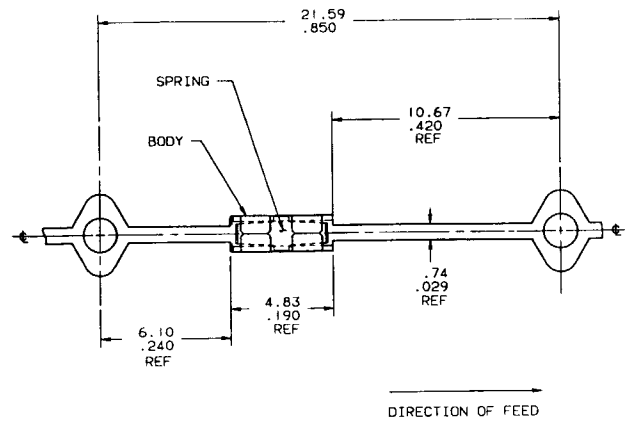


REVISIONS			
REV	DESCRIPTION	BY	DATE
U	REDRAWN	SR	8/22/89
V	ADD NOTES TO CHART.	JGS	11/8/89

PRODUCT NO
SEE TABLE



SPRING
HEAT TREATED BeCu
UNS C17200

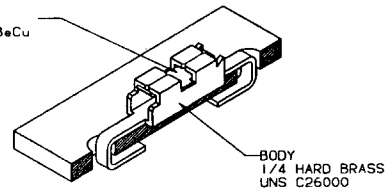
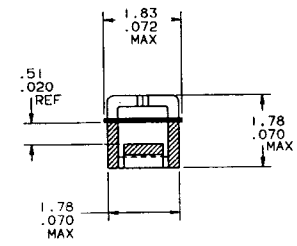
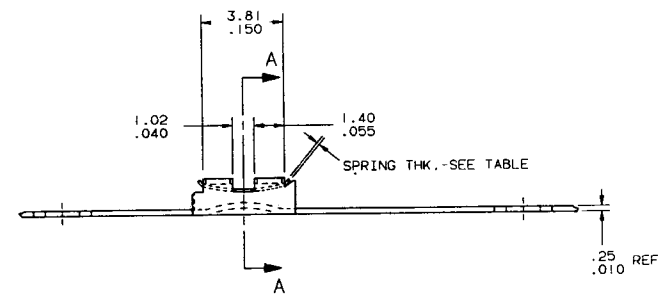


FIGURE 1



MEASURED BELOW SPRING
SECTION A-A
SCALE 20/1

- NOTES:
- PART TO MATE WITH .64±.02/.025±.001 SO PIN. PIN ENTRY FROM EITHER END OF CONTACT.
 - RECOMMENDED HOLE DIA: 1.40±.07/.055±.003. NON-PLATED THRU.
 - BODY PLATING: 1.02μ/40μ Au MIN OVER 1.27μ/50μ Ni MIN IN CONTACT AREA. REMAINDER OF BODY TO BE GOLD FLASH.
 - BODY PLATING: 1.27μ/50μ Au MIN OVER 1.27μ/50μ Ni MIN IN CONTACT AREA. REMAINDER OF BODY TO BE GOLD FLASH.
 - BODY PLATING: 1.02μ/40μ Au MIN OVER 1.27μ/50μ Ni MIN ALL OVER.
 - BODY PLATING 2.54μ/100μ Sn MIN ALL OVER.
 - BODY PLATING 2.03μ/80μ Au ALL OVER.
 - APPLICATION SPECIFICATIONS:
TA-215, BOARD APPLICATION SPEC
BAS-32, PRODUCT SPECIFICATION

FRAME NO. =

SHEET INDEX	ISSUE	V	V	CUSTOMER COPY	CODE IDENT	DATE	TITLE
	SH NO	1	2		22926	8/22/89	HORIZONTAL PV
MODEL		DO NOT SCALE DRAWING		TOLERANCE UNLESS OTHERWISE NOTED		MATERIAL OR S.RAMP	
				0.01±0.25/.00±.01		M. HAHN 8/22/89	
				0.00±0.13/.000±.005		ENGR M. HAHN 8/22/89	
				0.000±0.051/.0000±.0020		APPD M. HAHN 8/22/89	
TABULATION SHEETS REQUIRED		YES		FINISH		SCALE SIZE DWG NO	
NO		NO		SEE TABLE		10/1 D 47710	
		INCH		ANGLES 12° 0'		SHEET 1 OF 2	



NOTE: This print is the property of and contains proprietary designs of THE DUPONT COMPANY. No part of this design when on this print may be used in any way without the written consent of DUPONT ELECTRONICS, Inc. Conshohocken, PA.

FRAME NO. 1

PRODUCT NO	BODY PLATING	SPRING THICKNESS	SPRING PLATING
47710-000	NOTE 3	.089/.0035	GOLD FLASH
47876-000	NOTE 3	.122/.0048	GOLD FLASH
47909-000	NOTE 4	.089/.0035	GOLD FLASH
48085-000	NOTE 4	.122/.0048	GOLD FLASH
48092-000	2.54μ/100μ" Sn	.089/.0035	.76μ/30μ" Sn
48120-000	DISCONTINUED		
48201-000	DISCONTINUED		
48202-000	DISCONTINUED		
48205-000	DISCONTINUED		
48208-000	NOTE 6	.122/.0048	.76μ/30μ" Sn
48210-000	DISCONTINUED		
48212-000	DISCONTINUED		
48214-000	2.06μ/81μ" Au	.089/.0035	GOLD FLASH
48216-000	2.54μ/100μ" Sn	.165/.0065	.76μ/30μ" Sn
48269-000	DISCONTINUED		
48272-000	DISCONTINUED		
48273-000	DISCONTINUED		
48274-000	DISCONTINUED		
48280-000	2.03μ/80μ" Au	.089/.0035	GOLD FLASH
48282-000	2.03μ/80μ" Au	.089/.0035	GOLD FLASH

REVISIONS			
REV	DESCRIPTION	BY	DATE
V			

SHEET INDEX		ISSUE		CUSTOMER COPY		CODE IDENT		DATE	
SH NO	1					22526		8/22/89	
MODEL		DO NOT SCALE DRAWING		TOLERANCE UNLESS OTHERWISE NOTED		MATERIAL		FINISH	
				MM/INCH		S. RAMP		DATE	
				0.010, 0.25/.0001, 0.1		DRK M. HAHN		8/22/89	
				LINEAR 0.0010, 0.13/.0001, 0.005		ENGR M. HAHN		8/22/89	
				0.00010, 0.051/.00001, 0.0020		APPD M. HAHN		8/22/89	
TABULATION SHEETS REQUIRED		YES		THIRD ANGLE PROJECTION		SCALE		SIZE	
NO		NO		MM INCH		D		Dwg No	
				ANGLES 12° 0'		47710		SHEET 2	



NOTE: This drawing is the property of and subject to proprietary designs of the DUPONT COMPANY. No part of this drawing or the data hereon may be used in any way without the written consent of DUPONT ELECTRONICS, Inc. Columbia, PA.

Mouser Electronics

Authorized Distributor

Click to View Pricing, Inventory, Delivery & Lifecycle Information:

[FCI / Amphenol:](#)

[47710-000LF](#)