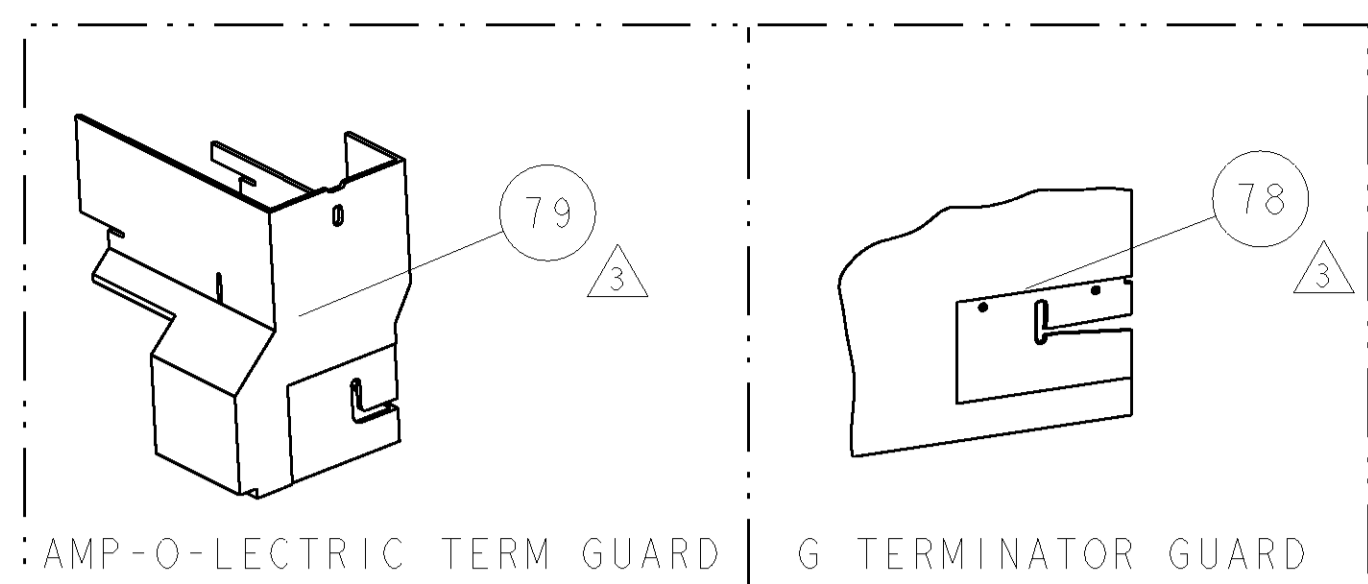
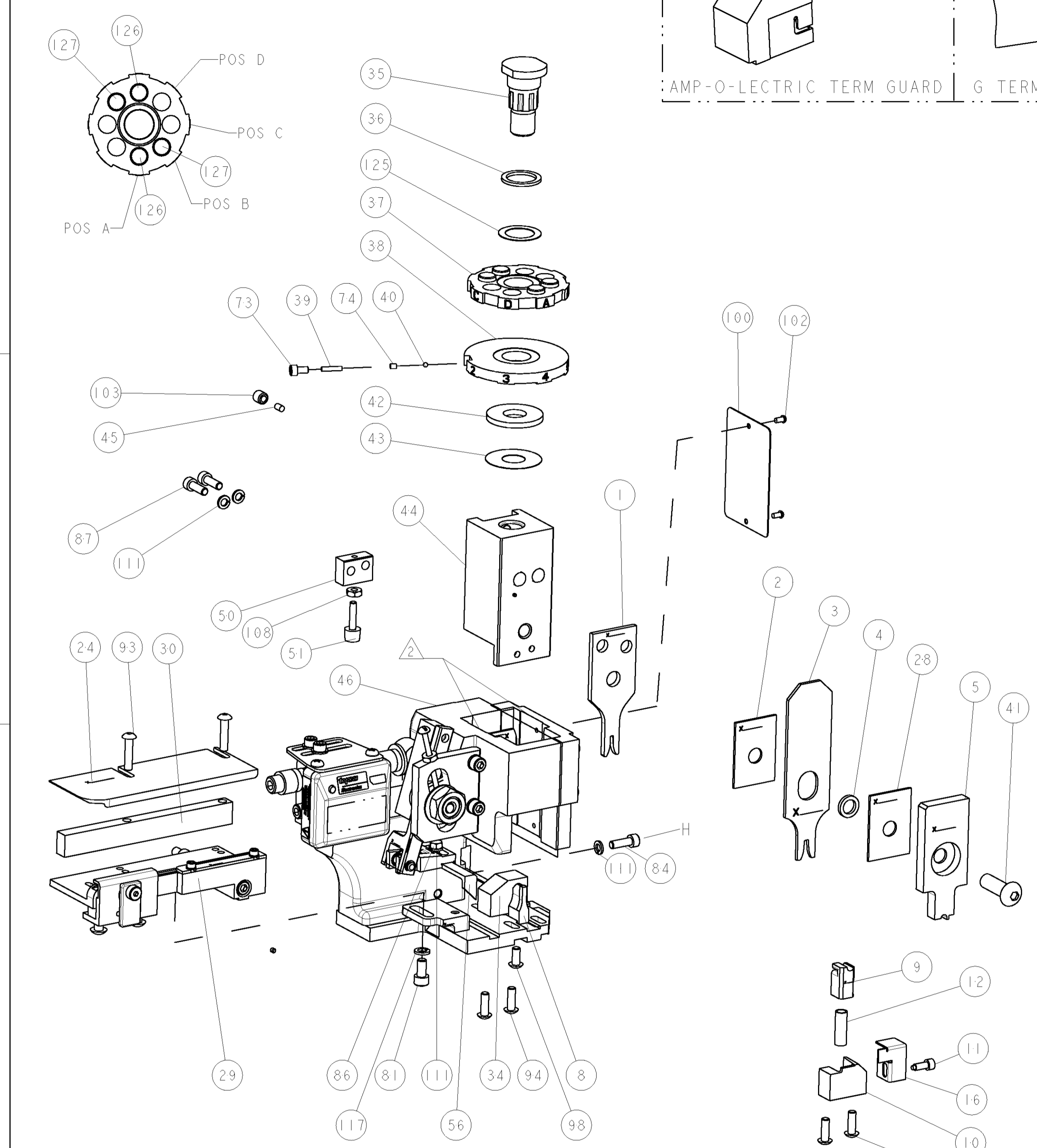


PART NUMBER		REV	FIRST USED	POWER UNIT	FEED TYPE
1852108-1		A	122500-1	LEADMAKER	POST FEED
1852108-2		A	565435-5	BENCH MODEL K	PRE FEED
1852108-3		A	354500-1	BENCH MODEL G	PRE FEED



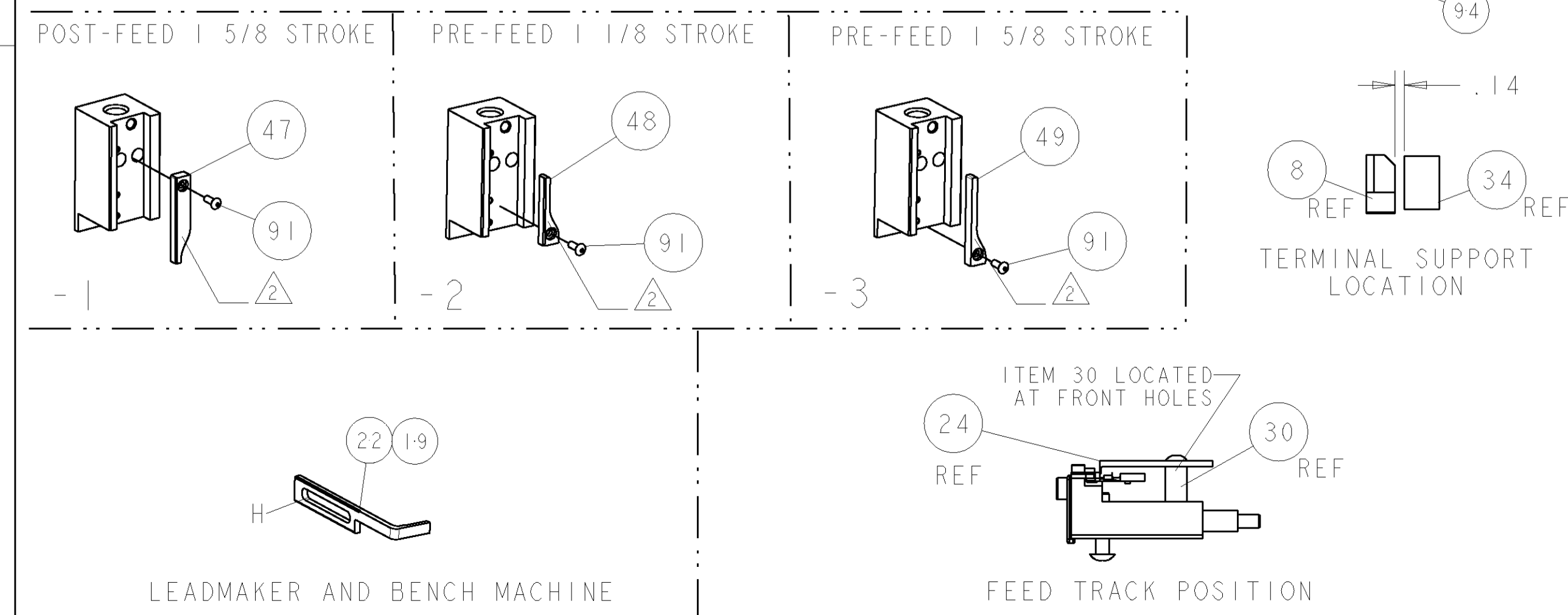
TERMINAL NAME: RING TONGUE				
TYCO PN	MFG PN	TOKAI RIKI TERMINAL - AMP CRIMP SPECS		
1572773-1	4R1190-000			
		PAD LTR	CRIMP HEIGHT	WIRE SIZE
		A	.041±.002[1.04±0.05mm]	0.5mm2
		B	.037±.002[.94±0.05mm]	0.3mm2
		C	-	-
		D	-	-
		CRIMP	SIZE	TYPE
			.062 [1.57mm]	F
		WIRE		0.3-0.5
		INSUL	.110 [2.79mm]	F
				∅.070 MAX
WIRE STRIP LENGTH	TERM APPL SPEC	FEED	APPL INSTRUCTIONS	SET UP GAGE
.148 -.163	NONE	.492	408-8040	458637-1

LOC	DIST	REVISIONS			
A	66	P LTR	DESCRIPTION	DATE	DWN
		A	RELEASED	31AUG2005	LG TE



- ⚠ RECOMMENDED SPARE PARTS
- ⚠ GREASE LIGHTLY
- ⚠ GUARD MUST BE IN PLACE WHEN OPERATING APPLICATOR IN A BENCH MACHINE

-	-	-	-	-	-	129
-	-	-	-	-	-	128
2	2	2	-	5-354779-8	PIN, WIRE DISC, .3280	127
2	2	2	-	5-354779-0	PIN, WIRE DISC, .3240	126
1	1	1	-	986950-1	WASHER, FLAT PRECISION	125
1	1	1	-	217238-1	GENERAL INSTRUCTION PKG	124
1	1	1	-	4088040	SF APPL INST 408-8040	123
-	-	-	-	-	-	122
-	-	-	-	-	-	121
-	-	-	-	-	-	120
-	-	-	-	-	-	119
-	-	-	-	-	-	118
1	1	1	-	21024-5	WASHER, SPRG LOCK, REG NO 10	117
-	-	-	-	-	-	116
-	-	-	-	-	-	115
-	-	-	-	-	-	114
-	-	-	-	-	-	113
-	-	-	-	-	-	112
4	4	4	-	21024-4	WASHER, SPRG LOCK, REG NO 8	111
-	-	-	-	-	-	110
-	-	-	-	-	-	109
1	1	1	-	21018-5	NUT, HEX, REG 6-32	108
-	-	-	-	-	-	107
-	-	-	-	-	-	106
-	-	-	-	-	-	105
-	-	-	-	-	-	104
1	1	1	-	21009-2	SCR, SET, SELF LOCKING 1/4-20 X .250	103
2	2	2	-	21017-2	SCREW, DRIVE	102
-	-	-	-	-	-	101
1	1	1	-	461264-1	PLATE, IDENTIFICATION	100
-	-	-	-	-	-	99
1	1	1	-	22733-8	SCR, BHSC, SELF-LOCKING, 8-32 X .375	98
-	-	-	-	-	-	97
-	-	-	-	-	-	96
-	-	-	-	-	-	95
4	4	4	-	2-21002-2	SCR, BTN SKT HD CAP 8-32 X .500	94
2	2	2	-	2-21002-4	SCR, BTN SKT HD CAP 8-32 X .750	93
-	-	-	-	-	-	92
1	1	1	-	1-21002-7	SCR, BTN SKT HD CAP 6-32 X .375	91
-	-	-	-	-	-	90
-	-	-	-	-	-	89
-	-	-	-	-	-	88
-	-	-	-	-	-	87
2	2	2	-	2-21000-7	SCR, SKT HD CAP 8-32 X .500	86
1	1	1	-	2-22603-0	SCR, HEX HD CAP 8-32 X .312	85
1	1	1	-	2-21000-7	SCR, SKT HD CAP 8-32 X .500	84
-	-	-	-	-	-	83
-	-	-	-	-	-	82
1	1	1	-	3-21000-4	SCR, SKT HD CAP 10-32 X .375	81
-	-	-	-	-	-	80
-	-	-	-	-	-	79
-	-	-	-	-	-	78
-	-	-	-	-	-	77
-	-	-	-	-	-	76
-	-	-	-	-	-	75
1	1	1	-	690603-1	SPRING ASSIST AMP-O-MATOR APPLICATOR	74
-	-	-	-	-	-	73
-	-	-	-	-	-	72
-	-	-	-	-	-	71
-	-	-	-	-	-	70
-	-	-	-	-	-	69
-	-	-	-	-	-	68
-	-	-	-	-	-	67
-	-	-	-	-	-	66
-	-	-	-	-	-	65
-	-	-	-	-	-	64
-	-	-	-	-	-	63
-	-	-	-	-	-	62
-	-	-	-	-	-	61
-	-	-	-	-	-	60
-	-	-	-	-	-	59
-	-	-	-	-	-	58
-	-	-	-	-	-	57
1	1	1	-	458537-2	PAWL, FEED	56
-	-	-	-	-	-	55
-	-	-	-	-	-	54
-	-	-	-	-	-	53
-	-	-	-	-	-	52
1	1	1	-	811242-2	BUMPER, HOLD DOWN	51
1	1	1	-	690753-1	SPACER, TONKER	50
1	-	-	-	690602-6	CAM, PRE FEED, 1 5/8	49
-	1	-	-	690602-5	CAM, PRE FEED, 1 1/8	48
-	-	1	-	690501-4	CAM, POST FEED, 1 5/8	47
1	1	1	-	459456-1	APPL. BASIC SUB ASSY (SIDE WISE MOCA)	46
1	1	1	-	690191-1	PLUG, NYLON	45
1	1	1	-	455673-1	RAM, SIDE FEED	44
1	1	1	-	690125-1	SHIM SUB-ASSY	43
1	1	1	-	690124-1	WASHER, RAM (.115)	42
1	1	1	-	7-21002-9	SCR, BTN SKT HD CAP 5/16-24 X 1.00	41
1	1	1	-	23241-6	BALL, STEEL	40
1	1	1	-	690170-1	SPRING, COMPRESSION	39
1	1	1	-	690142-1	DISC, INSULATION	38
1	1	1	-	354777-1	WIRE DISC, ASSEMBLY	37
1	1	1	-	22480-5	SPRING, COMPRESSION	36
1	1	1	-	690212-1	POST, RAM	35
1	1	1	-	3-690786-3	TERMINAL SUPPORT	34
-	-	-	-	-	-	33
-	-	-	-	-	-	32
-	-	-	-	-	-	31
1	1	1	-	1320908-1	SPACER, STRIP GUIDE	30
1	1	1	-	1633091-1	SUB-ASSEMBLY, FEEDTRACK	29
1	1	1	-	1-455888-0	SPACER, CRIMPER	28
-	-	-	-	-	-	27
-	-	-	-	-	-	26
-	-	-	-	-	-	25
1	1	1	-	1320928-3	PLATE, STRIP GUIDE	24
-	-	-	-	-	-	23
-	-	-	-	-	-	22
-	-	-	-	-	-	21
-	-	-	-	-	-	20
1	1	1	-	690472-9	STRIPPER	19
-	-	-	-	-	-	18
-	-	-	-	-	-	17
-	-	-	-	-	-	16
-	-	-	-	-	-	15
-	-	-	-	-	-	14
-	-	-	-	-	-	13
1	1	1	-	5-22280-0	SPRING, COMPRESSION	12
1	1	1	-	690461-1	STOP, SHEAR	11
1	1	1	-	690459-1	SHEAR HOLDER, FRONT	10
1	1	1	-	462006-1	FLOATING SHEAR, FRONT	9
1	1	1	-	1-1633117-9	ANVIL, COMBINATION	8
-	-	-	-	-	-	7
-	-	-	-	-	-	6
1	1	1	-	2-455889-0	DEPRESSOR, SHEAR	5
1	1	1	-	238011-7	BLOCK, CRIMPER SPACER	4
1	1	1	-	2-456134-2	CRIMPER, INSULATION F PREMIUM	3
1	1	1	-	1-455888-0	SPACER, CRIMPER	2
1	1	1	-	2-456403-1	CRIMPER, WIRE PREMIUM	1



DIMENSIONS: INCHES		TOLERANCES UNLESS OTHERWISE SPECIFIED:		DWG: R. O. WILSON 23AUG05		Tyco Electronics Harrisburg, PA 17105-3608	
0	PLC	±		CHK: M. HERR 23AUG05	NAME: SIDE FEED HDM APPLICATOR		
1	PLC	±	.01	APVD: J. ELBIN 24AUG05	PRODUCT SPEC: -		
2	PLC	±	.01	APPLICATION SPEC: -			
3	PLC	±	.001	SIZE: CAGE CODE: DRAWING NO: RESTRICTED TO			
4	PLC	±	.001	SCALE: 3:5 SHEET 1 OF 1 REV A			
MATERIAL:		FINISH:		WEIGHT:		CUSTOMER DRAWING	
						A1 00779 ©=1852108	

Mouser Electronics

Authorized Distributor

Click to View Pricing, Inventory, Delivery & Lifecycle Information:

[TE Connectivity:](#)

[1852108-1](#)