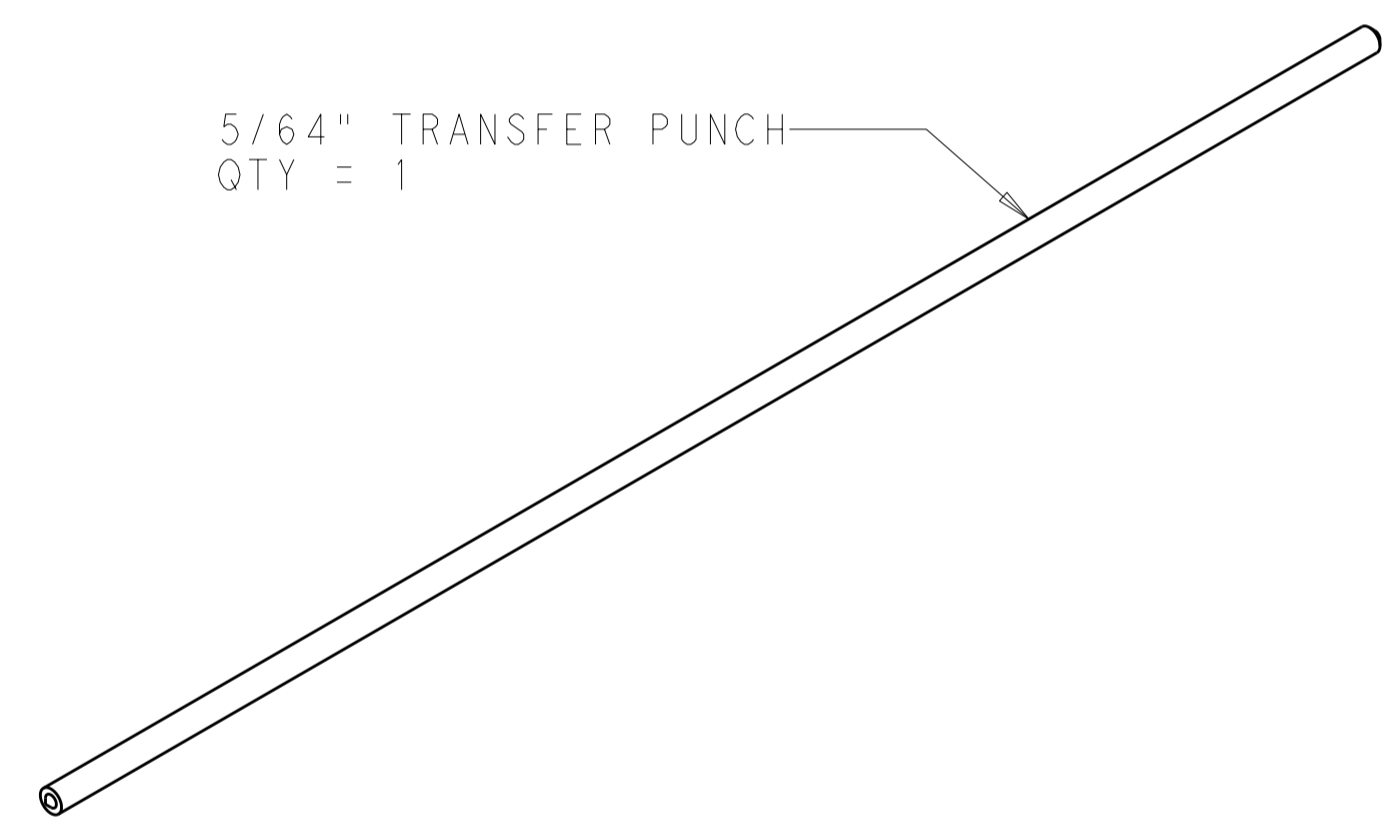
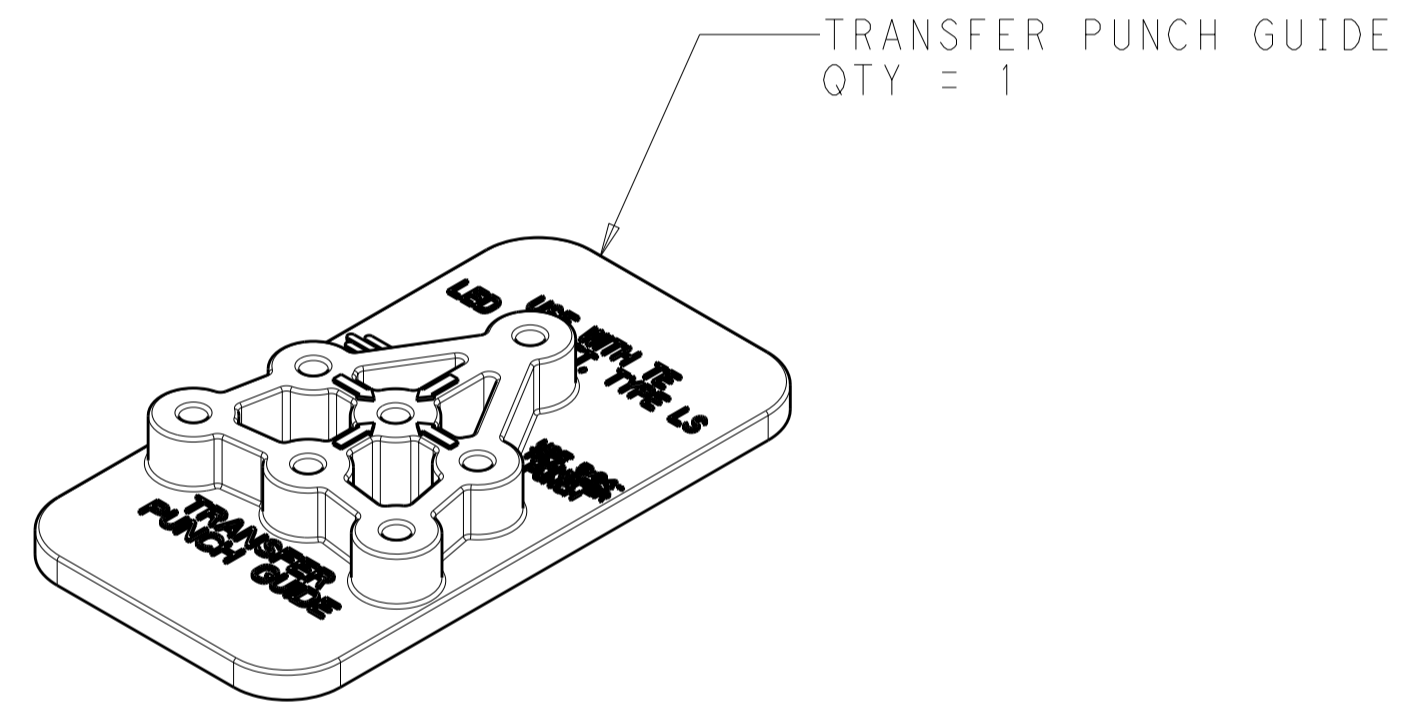



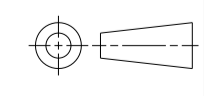
THIS DRAWING IS UNPUBLISHED. RELEASED FOR PUBLICATION 20
 © COPYRIGHT 20 BY - ALL RIGHTS RESERVED.

LOC		DIST		REVISIONS			
P	LTR	DESCRIPTION	DATE	DWN	APVD		
-	-	A	REVISD PER ECR-11-012473	01JUL2011	RK	DD	

- MATERIALS:
 PUNCH GUIDE: PC, COLOR- BLACK
 PUNCH: STEEL
- ONE OF EACH ITEM, PACKAGED TOGETHER
- GUIDE FOR USE WITH LED SOCKET, TYPE LS, P/N 2154235-X.
- GUIDE DESIGNED TO BE USED WITH A 5/64" TRANSFER PUNCH TO ACCURATELY MARK MOUNTING HOLE DRILL LOCATIONS.
- GUIDE TO BE REMOVED FROM HEAT SINK PRIOR TO DRILLING OPERATION.



2154473-1
 PART NUMBER

THIS DRAWING IS A CONTROLLED DOCUMENT.		DWN R. BROWN 31MAR2011	 TE Connectivity	
		CHK R. NARANG 31MAR2011		
DIMENSIONS: mm		APVD -	NAME KIT, TRANSFER PUNCH GUIDE AND TRANSFER PUNCH, LED SOCKET, TYPE LS	
		PRODUCT SPEC -	RESTRICTED TO -	
TOLERANCES UNLESS OTHERWISE SPECIFIED: 0 PLC ± 1 PLC ± 2 PLC ± 3 PLC ± 4 PLC ± ANGLES ± FINISH		APPLICATION SPEC 114-13294	SIZE A200779	DRAWING NO C-2154473
MATERIAL -		WEIGHT -	SCALE 2:1 SHEET 1 OF 1 REV A	
		CUSTOMER DRAWING		

Mouser Electronics

Authorized Distributor

Click to View Pricing, Inventory, Delivery & Lifecycle Information:

[TE Connectivity:](#)

[2154473-1](#)