

PLEASE CHECK WWW.MOLEX.COM FOR LATEST PART INFORMATION

Part Number: [0554540370](#)
Status: **Active**
Description: 1.25mm Pitch Mi II System Wire-to-Board Header, Single Row, Right-Angle, 3 Circuits

Documents:

[3D Model](#) [Product Specification PS-54596-018-001 \(PDF\)](#)
[Drawing \(PDF\)](#) [RoHS Certificate of Compliance \(PDF\)](#)

General

Product Family PCB Headers
Series [55454](#)
Application Signal, Wire-to-Board
Product Name Mini Mi II
UPC 756054760963

Physical

Breakaway No
Circuits (Loaded) 3
Circuits (maximum) 3
Color - Resin Natural
Durability (mating cycles max) 30
First Mate / Last Break No
Glow-Wire Capable No
Guide to Mating Part No
Keying to Mating Part None
Lock to Mating Part Yes
Material - Plating Mating Tin
Material - Plating Termination Tin
Net Weight 246.100/mg
Number of Rows 1
Orientation Right Angle
PC Tail Length 3.00mm
PCB Locator Yes
PCB Retention Yes
PCB Thickness - Recommended 1.60mm
Packaging Type Tray
Pitch - Mating Interface 1.25mm
Polarized to Mating Part Yes
Shrouded Fully
Stackable No
Surface Mount Compatible (SMC) No
Temperature Range - Operating -40° to +105°C
Termination Interface: Style Through Hole

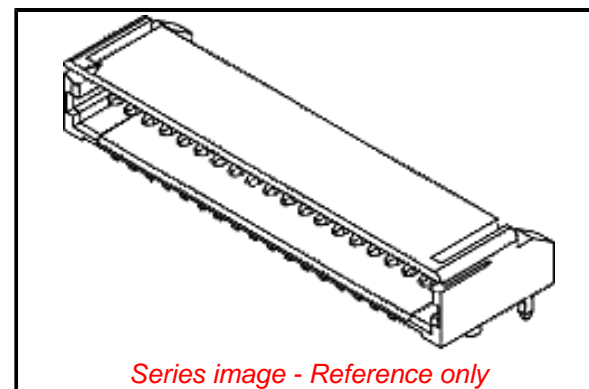
Electrical

Current - Maximum per Contact 1.5A
Voltage - Maximum 100V

Material Info

Reference - Drawing Numbers

Product Specification PS-54596-018-001
Sales Drawing SD-55454-007



EU ELV

Not Relevant

EU RoHS

Compliant

REACH SVHC

Not Contained Per -
ED/61/2018 (27 June
2018)

Halogen-Free

Status

Not Low-Halogen

**Need more information on product
environmental compliance?**

Email productcompliance@molex.com
Please visit the [Contact Us](#) section for any
non-product compliance questions.

China ROHS

ELV

Prop65

RoHS Phthalates

China RoHS

Green Image

Not Relevant

Compliant

Not Contained

Search Parts in this Series

[55454 Series](#)

Mates With

[51336](#) PBT Polyester, Glass-filled Housing,
[54596](#) PA Polyamide Housing

Mouser Electronics

Authorized Distributor

Click to View Pricing, Inventory, Delivery & Lifecycle Information:

[Molex:](#)

[55454-0370](#)