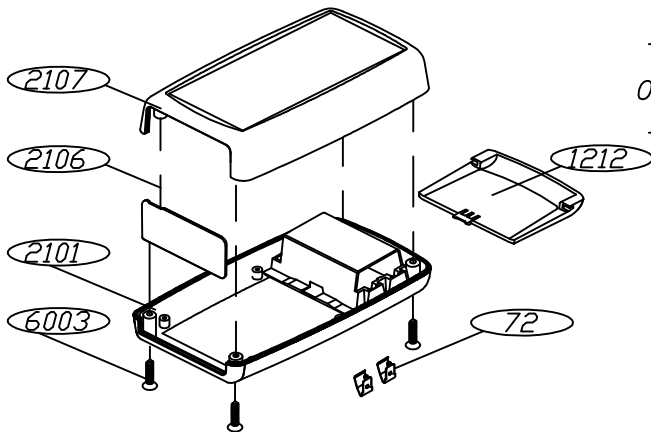
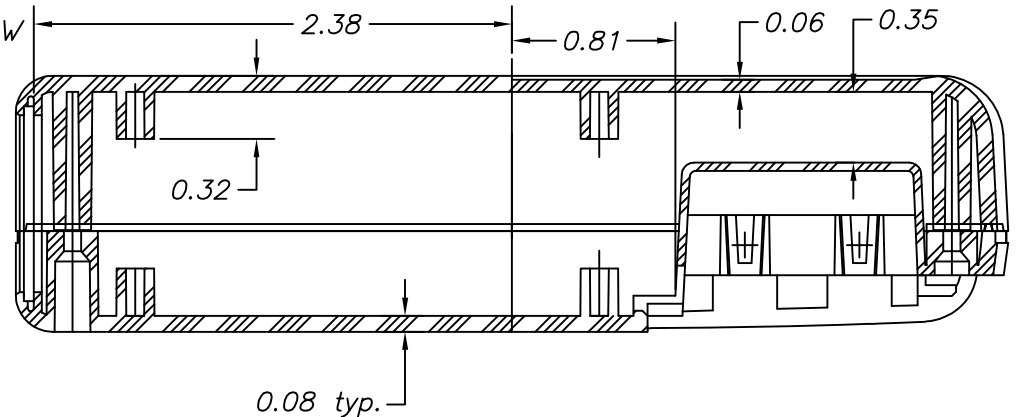
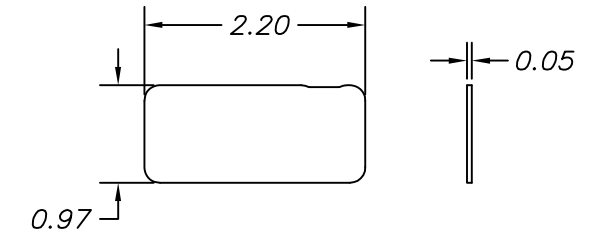
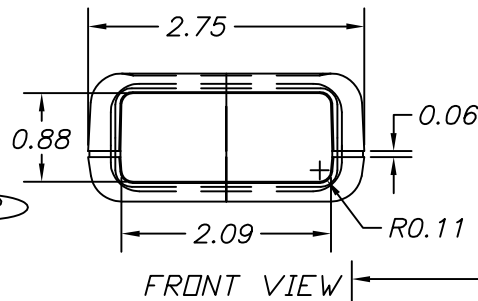
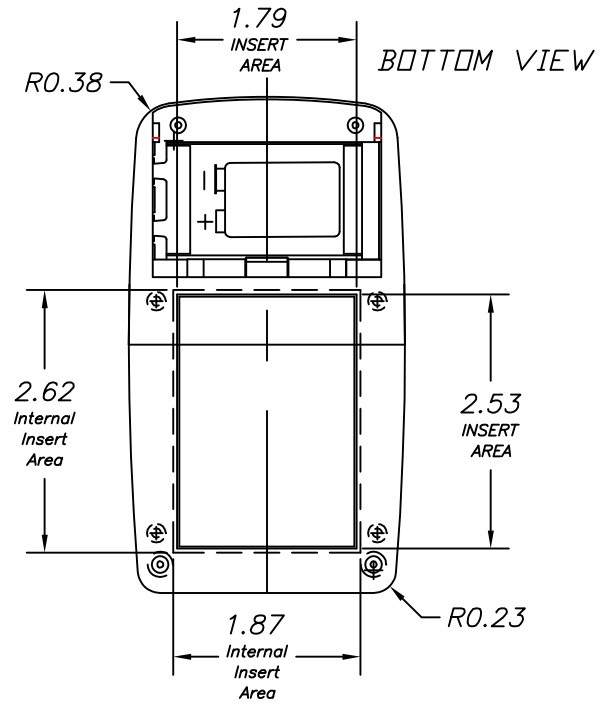
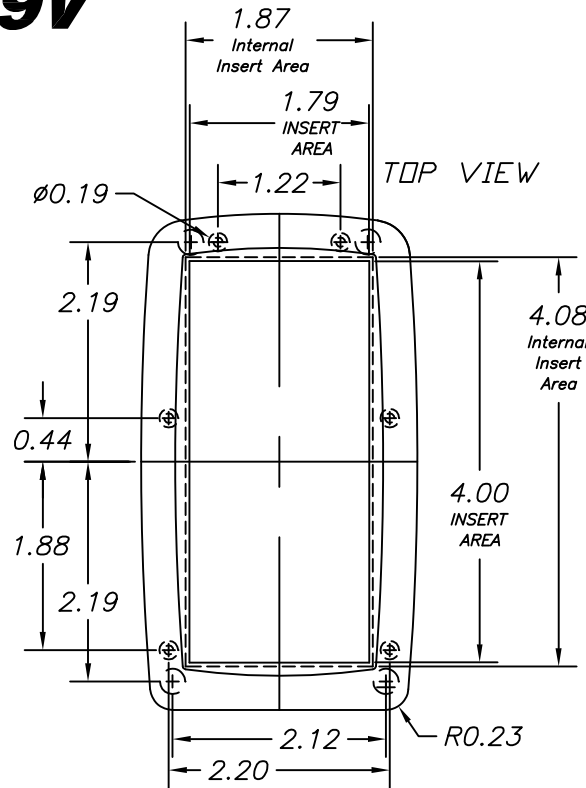
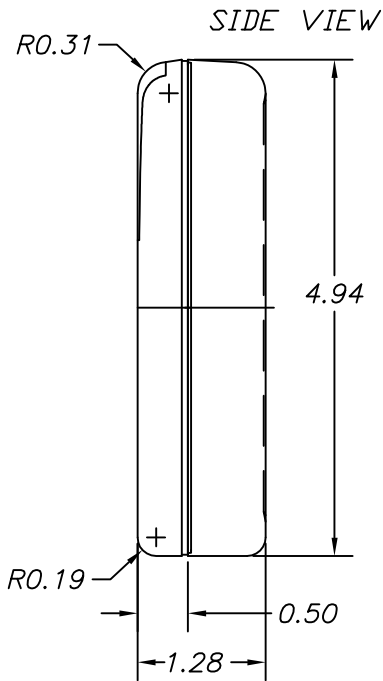


SERPAC H-67,9V

Electronics Enclosures

NOTES:

1. WHEN MACHINE OR I PLATES MODIFICATIONS ARE REQUIRED, USE THE CENTER OF THE BOX TO DIMENSION.



5/08/08.

ALL DIMENSIONS ±0.10

| PART NO. | DESCRIPTION | PART NO. | ACCESSORIES |
|----------|-----------------------|----------|-----------------------|
| 2107 | PLASTIC TOP | 2106CL | CLEAR PANEL |
| 2106 | PLASTIC END PANEL | 2106IR | INFRARED PANEL |
| 2103 | PLASTIC BOTTOM (9V) | 2106R | TRANSPARENT RED PANEL |
| 6003 | SCREW (4) | | |
| 1212 | PLASTIC BATTERY COVER | | |
| 72 | BATTERY CONTACT | | |

Mouser Electronics

Authorized Distributor

Click to View Pricing, Inventory, Delivery & Lifecycle Information:

[SERPAC:](#)

[H-679V-PC](#) [H-67-9V-A](#) [H-67-9V-B](#) [H-67-9V-G](#)