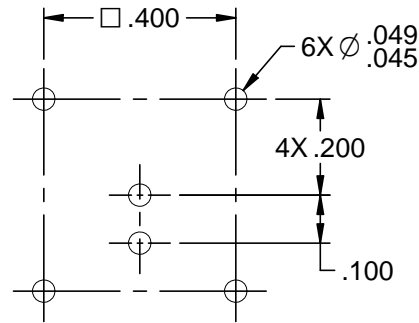


NOTES: UNLESS OTHERWISE SPECIFIED.

1. FEMALE SUBMINIATURE TRIAXIAL PC BOARD MOUNT JACK.
2. FINISH:
BODY: NICKEL
CONTACT: GOLD
3. MAXIMUM BOARD THICKNESS: .125
4. MINIMUM CENTER TO CENTER MOUNTING: .500
5. PRE-TINNED.



RECOMMENDED MOUNTING HOLE PATTERN

	3RD ANGLE PROJECTION	Trompeter		
		Title: TRS CIRCUIT BOARD MOUNT		
<small>This PROPRIETARY Document is property of Cinch Connectivity Solutions. It is confidential in nature, non-transferable, and issued with the clear understanding that it is not traced or copied without permission and is returnable upon demand.</small> <small>INTERPRET DRAWING IN ACCORDANCE WITH ASME Y14.5-2009.</small>	UNLESS OTHERWISE SPECIFIED	Model No. CBJ157		Date: 4/17/2013 Sheet 1 of 1
	.XX ± .02 .XXX ± .005 ANGLES ± 2°	Size A	DO NOT SCALE DRAWING	

Mouser Electronics

Authorized Distributor

Click to View Pricing, Inventory, Delivery & Lifecycle Information:

[Cinch Connectivity Solutions:](#)

[CBJ157](#)