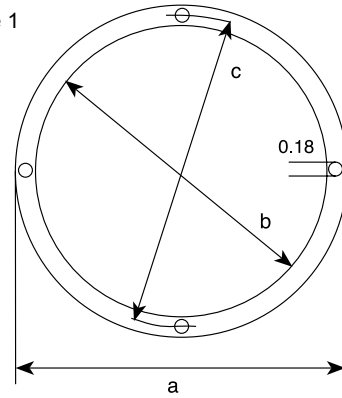


Part Number	Blower Wheel Size	Figure	Max. Dim.- in. (mm)		
			a	b	c
9489-2-4039	076/085	Fig. 1	3.5 (90)	2.9 (74)	3.3 (84)
9485-2-4039	097 *	Fig. 2	4.5 (114)	0.14 (3.5)	3.5 (88)
9490-2-4039	108	Fig. 1	5.0 (126)	4.3 (110)	4.7 (118)
9494-2-4039	120	Fig. 1	5.5 (140)	4.9 (124)	5.2 (132)
9500-2-4039	133/146*	Fig. 2	5.7 (145)	0.16 (4)	4.8 (122)
9492-2-4039	140/146	Fig. 1	6.6 (168)	6.0 (152)	6.2 (158)
9503-2-4039	160	Fig. 1	7.2 (183)	6.7 (170)	6.9 (175)
9493-2-4039	180	Fig. 1	8.1 (205)	7.4 (189)	7.6 (194)

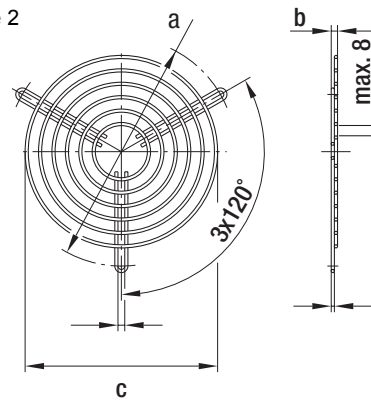
* – Dual inlet wire guard with three holes at 120°

Figure 1



Material is galvanized wire.

Figure 2



Mouser Electronics

Authorized Distributor

Click to View Pricing, Inventory, Delivery & Lifecycle Information:

[ebm-papst:](#)

[9489-2-4039](#)