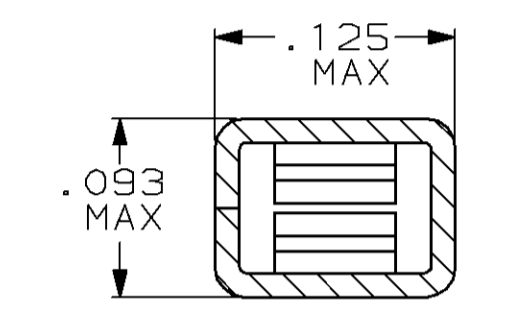
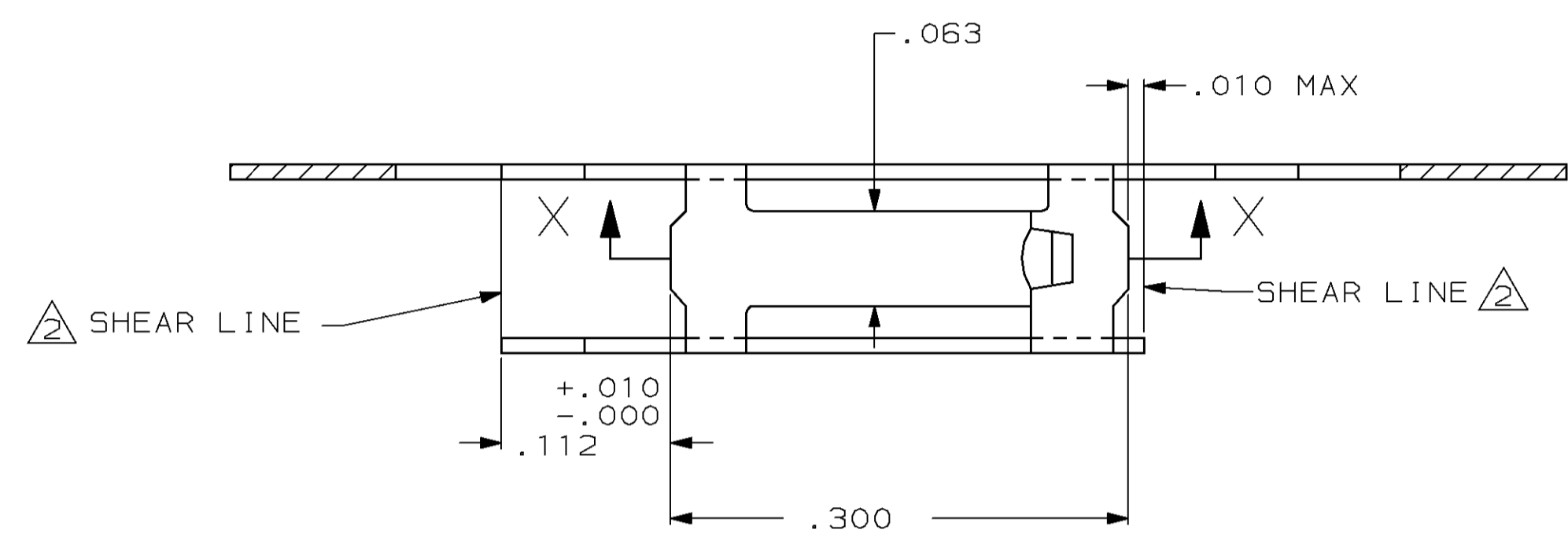
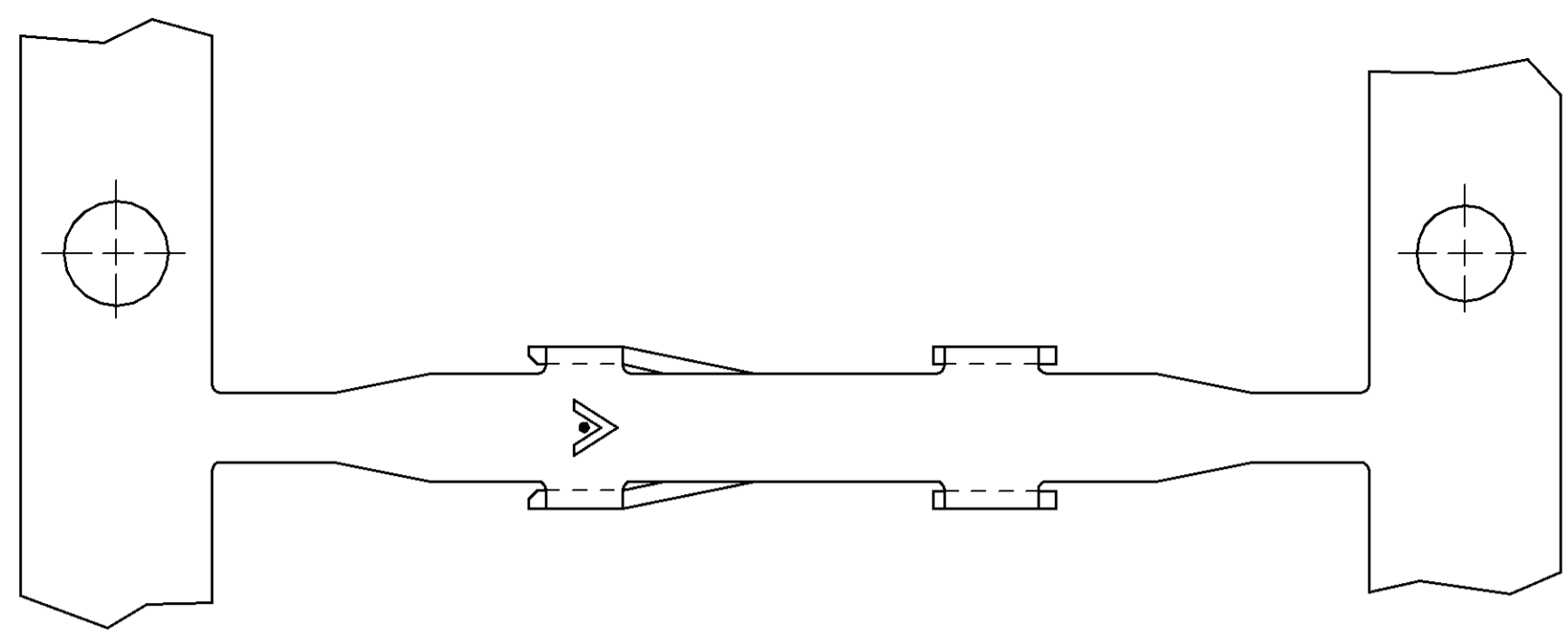
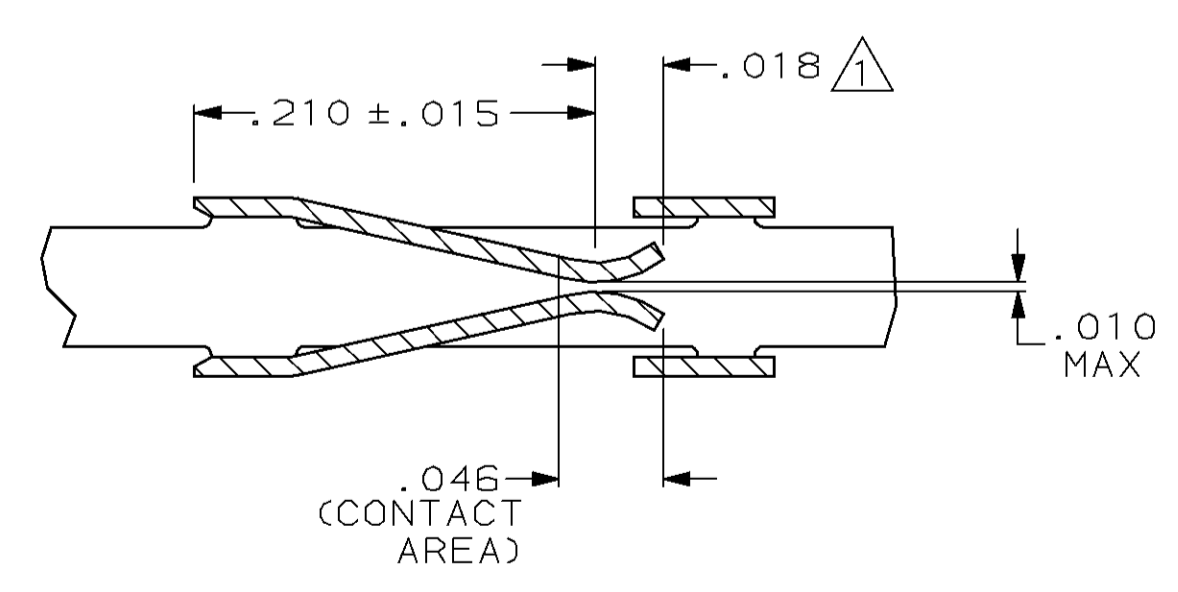
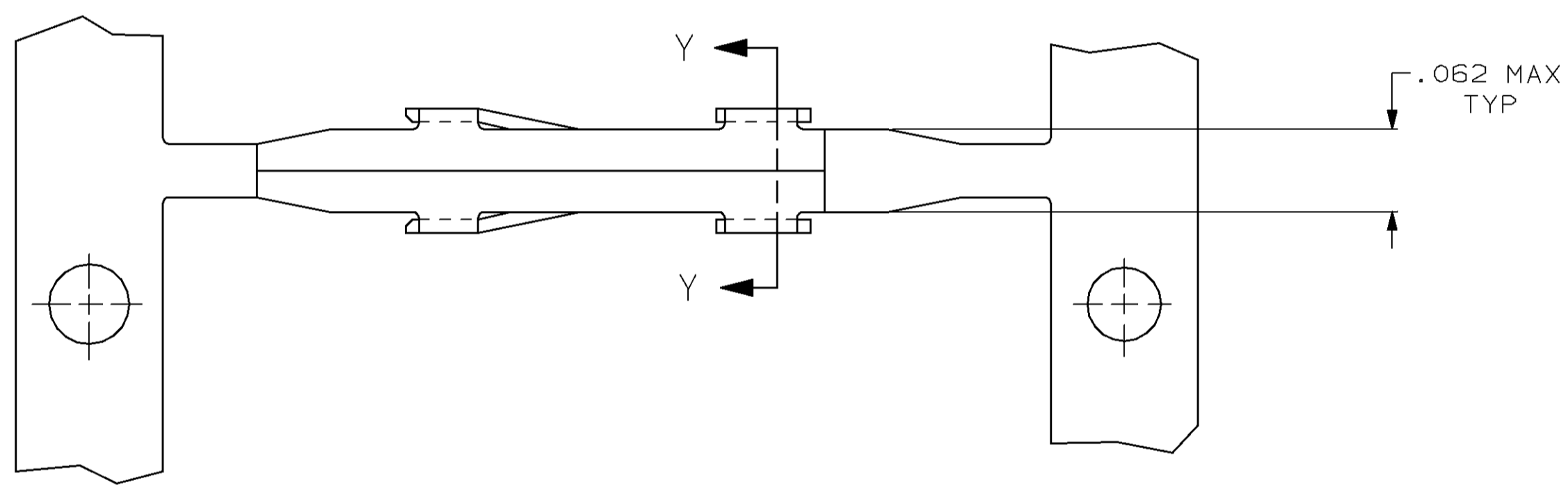


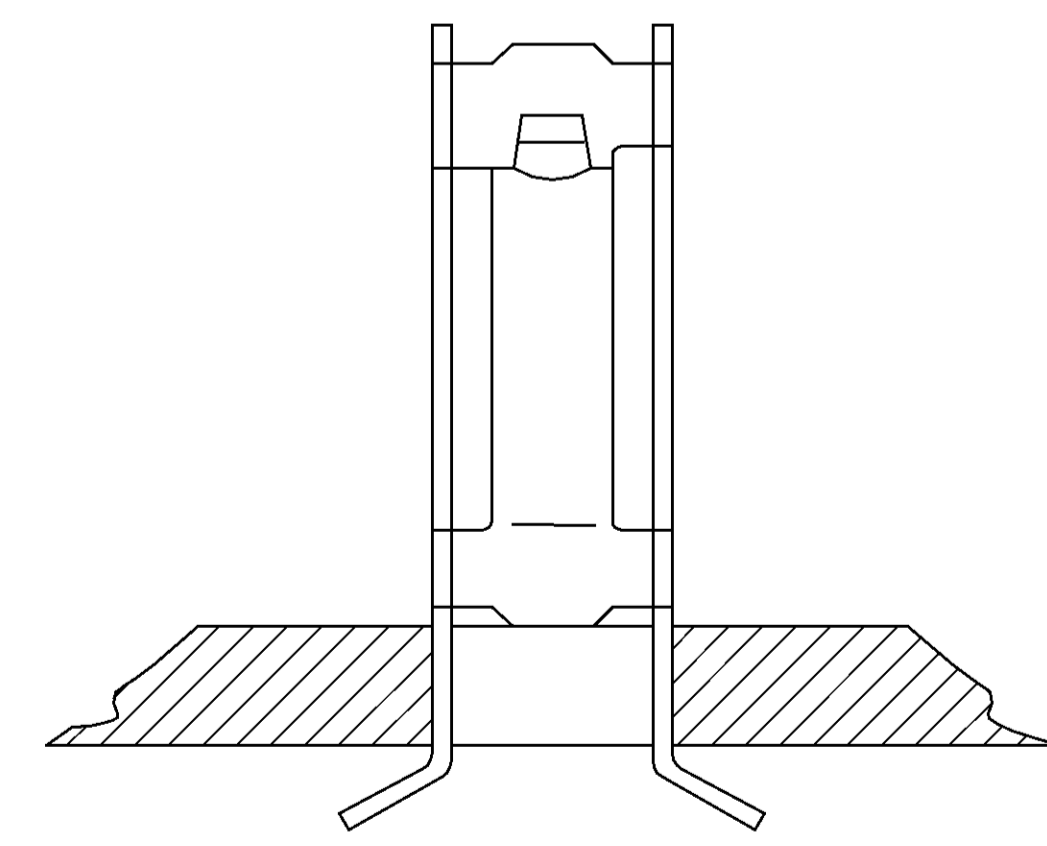
MOD		LOC		DST		REV		REVISIONS			
NO	DATE	NO	DATE	NO	DATE	NO	DATE	DESCRIPTION	DATE	APPD	
27	AD	39						F	REV REDRAWN PER AR2730	10-17-89	-
								G	REV PER ECN AR2785 & AR2794 JPG	11-10-89	-
								H	REV LOC & DIST AD-4171	3-90	BF
								J	REV PER 0010-0439-93	8-93	-
								K	REV PER 0010-1103-93	3-16-94	SAS
								L	REV PER 0010-1175-95	12-30-96	JH



SECTION Y-Y



SECTION X-X



TYPICAL APPLICATION

- ① POINT OF MEASUREMENT FOR PLATING THICKNESS (INSIDE BEAMS)
- ② SHEAR LINES DEFINE LOOSE PIECE PART.
- ③ PLAIN.
- ④ .000030 GOLD OVER .000050 NICKEL ENTIRE TERMINAL.
- ⑤ TIN PLATED.
- ⑥ GOLD FLASH OVER .000050 NICKEL ENTIRE TERMINAL, .000030 GOLD IN CONTACT AREA ONLY.
- ⑦ GOLD FLASH OVER .000050 NICKEL ENTIRE TERMINAL, .000015 GOLD IN CONTACT AREA ONLY.
- ⑧ .000015 GOLD IN CONTACT AREA, .000100-.000200 BRIGHT TIN-LEAD ON TERMINATION AREA, ALL OVER .000050 NICKEL ENTIRE TERMINAL.
- ⑨ .000030 GOLD IN CONTACT AREA, .000100-.000200 BRIGHT TIN-LEAD ON TERMINATION AREA, ALL OVER .000050 NICKEL ENTIRE TERMINAL.
- ⑩ OBSOLETE PART NUMBER.

FINISH	REELED FOR APPLICATOR	LOOSE PIECE PART NO	PART NUMBER
⑨	MINIATURE	⑩ 85423-7	⑩ 1-85488-3
⑧	MINIATURE	⑩ 85423-6	⑩ 1-85488-2
⑦	MINIATURE	⑩ 85423-5	⑩ 85488-8
⑥	MINIATURE	85423-4	85488-7
⑤	MINIATURE	_____	⑩ 85488-6
④	MINIATURE	_____	⑩ 85488-5
⑥	STANDARD	_____	⑩ 85488-4
⑤	STANDARD	⑩ 85423-3	⑩ 85488-3
④	STANDARD	⑩ 85423-2	⑩ 85488-2
③	_____	⑩ 85423-1	⑩ 85488-1

DO NOT SCALE PRINT. UNLESS SPECIFIED DIMENSIONS IN INCHES TOLERANCES ON:		DR 10-17-89 D KEITZER		PART NO	
2 PLC DEC ± -		CHK 10-23-89 SCOTT A SHUEY			
3 PLC DEC ± .005		APPD 10-23-89 MARIAN P CLARK			
ANGLES ± -		APPD 10-23-89 B FLINCHBAUGH		NAME RECEPTACLE, MOD I, STANDARD PRESSURE, TYPE A	
MATERIAL PHOS. BRONZE		PRODUCT SPEC -		SIZE D 00779	
FINISH SEE TABLE		APPLICATION SPEC -		CAGE CODE 00779	
WEIGHT		SCALE 10:1		DRAWING NO 85488	
				SHEET 1 OF 1	

# Mouser Electronics

Authorized Distributor

Click to View Pricing, Inventory, Delivery & Lifecycle Information:

[TE Connectivity:](#)

[85488-7](#)