

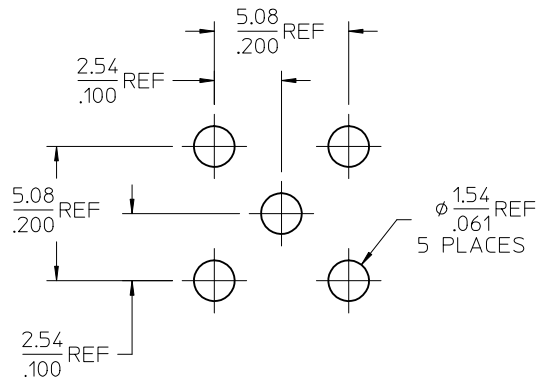
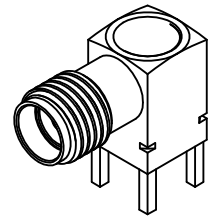
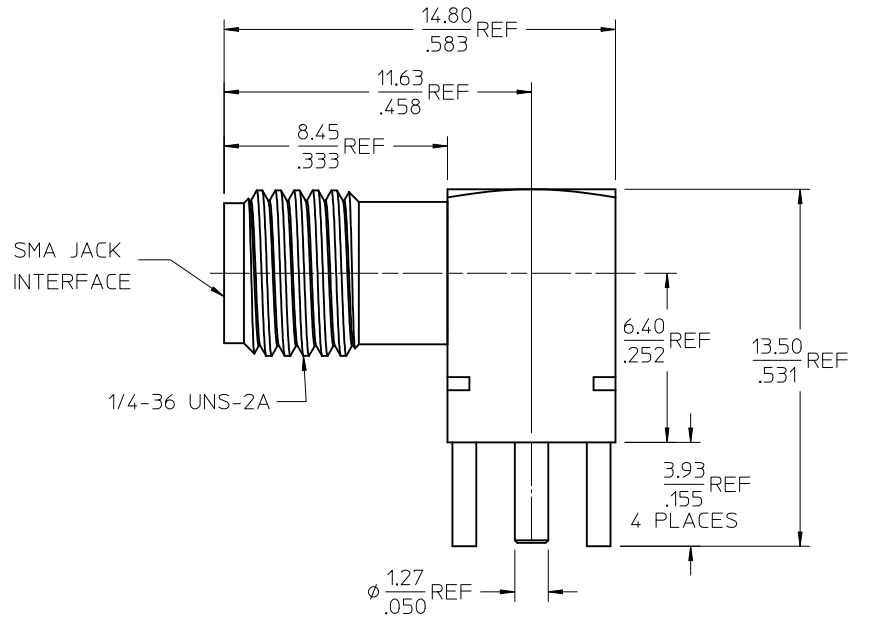
MATERIALS AND FINISHES

BODY BRASS
PLATED NICKEL

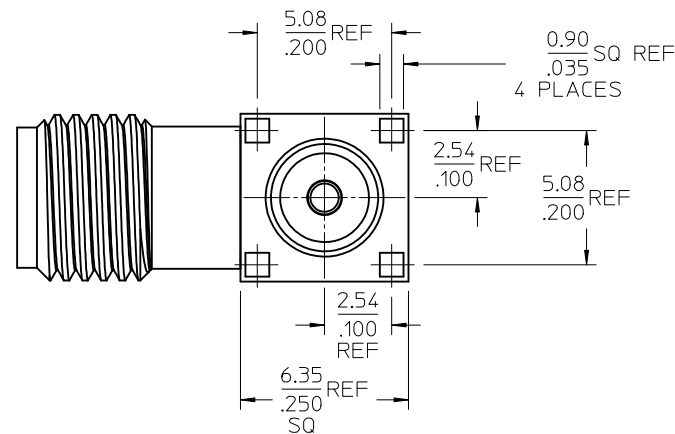
CENTER CONTACT BERYLLIUM COPPER
PLATED GOLD

PCB CONTACT BRASS
PLATED GOLD

INSULATOR TEFLON



RECOMMENDED PCB LAYOUT



PS-89675-3460	PRODUCT SPECIFICATION
SPECIFICATION	DESCRIPTION

73251-3131	ONE PER BAG
73100-0115	TRAY
PART NO.	PACKAGING

CHG: ADD SINGLE BAG VERSION PS WAS 73598-0111 EC NO: URF2011-0567 DRWN: WIENER 2011/03/30 CHKD: SSS 2011/03/30 APPR: WIENER 2011/03/31	QUALITY SYMBOLS ▽=0 ▽=0	GENERAL TOLERANCES (UNLESS SPECIFIED) 4 PLACES ± .005 3 PLACES ± .004 2 PLACES ± .003 1 PLACE ± .002 ANGULAR ± 2°	DIMENSION STYLE MM/IN	SCALE DESIGN UNITS METRIC	THIRD ANGLE PROJECTION
		DRAWN BY THOMPSON DATE TSN 1993/10/15 CHECKED BY DATE	TITLE SMA JACK,R/A PCB,50 OHMS PLATED NICKEL SMA-J/PCB		
		APPROVED BY MHUANG DATE 2010/02/22	MOLEX INCORPORATED		
		MATERIAL NO. SEE TABLE	DOCUMENT NO. SD-73100-0115	SHEET NO. 1 OF 1	

DRAFT WHERE APPLICABLE MUST REMAIN WITHIN DIMENSIONS

THIS DRAWING CONTAINS INFORMATION THAT IS PROPRIETARY TO MOLEX INCORPORATED AND SHOULD NOT BE USED WITHOUT WRITTEN PERMISSION

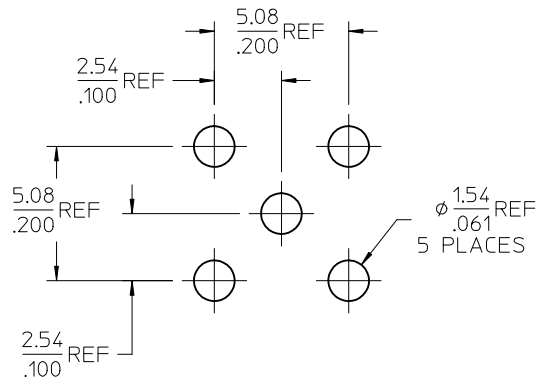
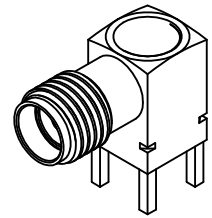
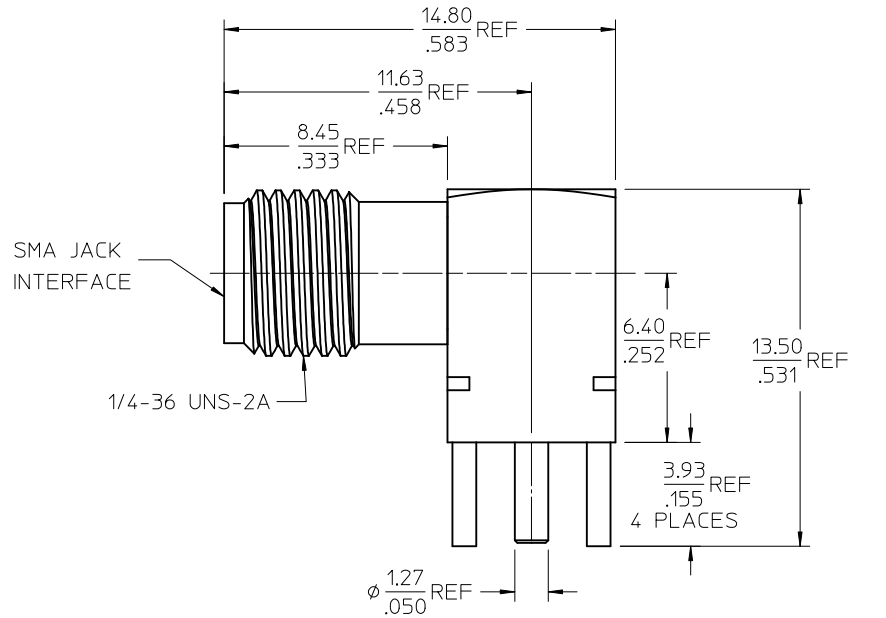
MATERIALS AND FINISHES

BODY BRASS
PLATED NICKEL

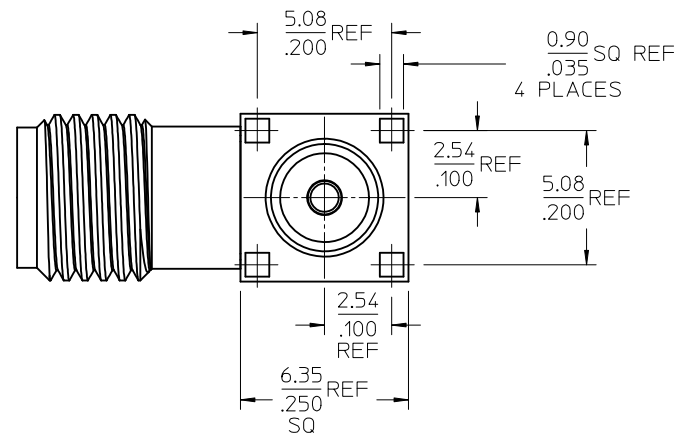
CENTER CONTACT BERYLLIUM COPPER
PLATED GOLD

PCB CONTACT BRASS
PLATED GOLD

INSULATOR TEFLON



RECOMMENDED PCB LAYOUT



PS-89675-3460	PRODUCT SPECIFICATION
SPECIFICATION	DESCRIPTION

73251-3131	ONE PER BAG
73100-0115	TRAY
PART NO.	PACKAGING

CHG: ADD SINGLE BAG VERSION PS WAS 73598-0111 EC NO: URF2011-0567 DRWN: WIENER 2011/03/30 CHKD: SSS 2011/03/30 APPR: WIENER 2011/03/31	QUALITY SYMBOLS ▽=0 ▽=0	GENERAL TOLERANCES (UNLESS SPECIFIED) 4 PLACES ± --- ± --- 3 PLACES ± --- ± --- 2 PLACES ± --- ± --- 1 PLACE ± --- ± --- ANGULAR ± 2 °	DIMENSION STYLE MM/IN DRAWN BY THOMPSON TSN 1993/10/15 DATE CHECKED BY DATE	SCALE DESIGN UNITS METRIC THIRD ANGLE PROJECTION	TITLE SMA JACK,R/A PCB,50 OHMS PLATED NICKEL SMA-J/PCB	
		DRAFT WHERE APPLICABLE MUST REMAIN WITHIN DIMENSIONS	APPROVED BY MHUANG DATE 2010/02/22	MATERIAL NO. SEE TABLE	MOLEX INCORPORATED DOCUMENT NO. SD-73100-0115	SHEET NO. 1 OF 1
		SIZE THIS DRAWING CONTAINS INFORMATION THAT IS PROPRIETARY TO MOLEX INCORPORATED AND SHOULD NOT BE USED WITHOUT WRITTEN PERMISSION				
		REV B3				