

MICRO SWITCH

FREEPORT, ILLINOIS, U.S.A.
A DIVISION OF HONEYWELL INC.

FED. MFG. CODE 91929

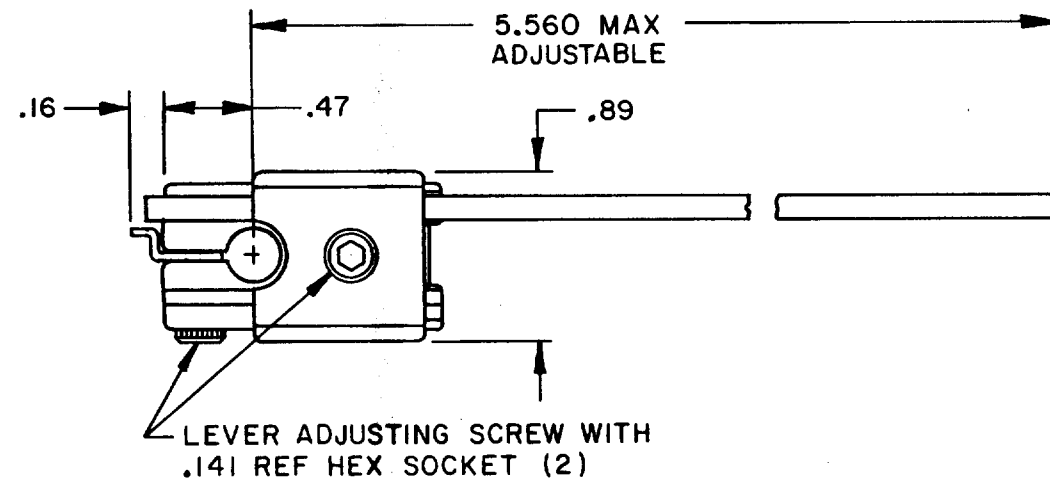
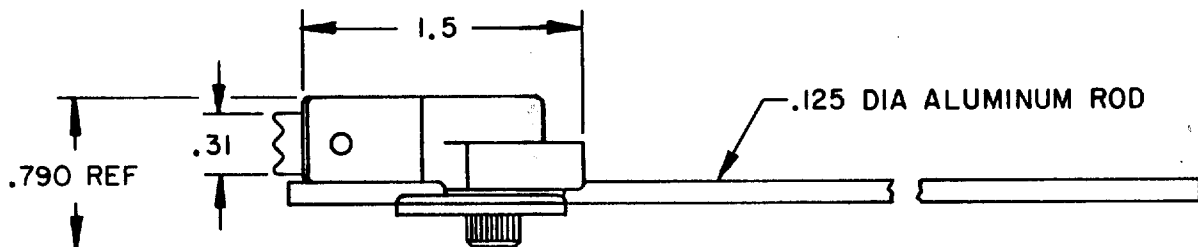
PACKET

CATALOG LISTING

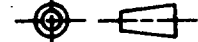
6PA43



THIS DRAWING COVERS A PROPRIETARY ITEM AND IS THE PROPERTY OF MICRO SWITCH, A DIVISION OF HONEYWELL. THIS DRAWING IS NOT TO BE COPIED OR USED WITHOUT THE APPROVAL OF MICRO SWITCH.



THIRD ANGLE PROJECTION



SCALE FULL

DO NOT SCALE PRINT

UNLESS OTHERWISE SPECIFIED
TOLERANCES ARE

| | | |
|-------------|--------|--------|
| ONE PLACE | (.0) | ± .030 |
| TWO PLACE | (.00) | ± .015 |
| THREE PLACE | (.000) | ± .005 |
| ANGLES | | ± |

6PA43

M

DRAWING
NUMBER

ISSUE
7

REPLACES

RELEASE NO. SR-6392

CHECK

CHECK

CHECK

CHECK

CHECK

CHECK

CHECK

CHECK

REVISIONS

| | | |
|----|----------|----|
| A | CO-62057 | |
| S. | L | S. |
| 11 | AUG | 87 |

FO-92680-C01

DRAWN

S. J. S. II AUG 87

Mouser Electronics

Authorized Distributor

Click to View Pricing, Inventory, Delivery & Lifecycle Information:

[Honeywell:](#)

[6PA43](#)