

ZLG SERIES
105°C Ultra Low Impedance

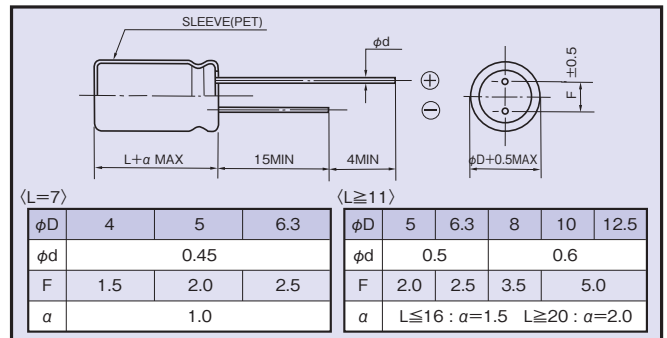
*Load Life : 105°C 1000~5000 hours.


◆ SPECIFICATIONS

Items	Characteristics																					
Category Temperature Range	-40~+105°C																					
Rated Voltage Range	6.3~35Vdc																					
Capacitance Tolerance	±20% (20°C, 120Hz)																					
Leakage Current(MAX)	I=0.03CV or 3µA whichever is greater. (After 2 minutes) I=Leakage Current(µA) C=Capacitance(µF) V=Rated Voltage(Vdc)																					
Dissipation Factor(MAX) (tanδ)	<table border="1"> <tr> <td>Rated Voltage (Vdc)</td> <td>6.3</td> <td>10</td> <td>16</td> <td>25</td> <td>35</td> <td>(20°C, 120Hz)</td> </tr> <tr> <td>tanδ</td> <td>0.22</td> <td>0.19</td> <td>0.16</td> <td>0.14</td> <td>0.12</td> <td></td> </tr> </table> <p>When capacitance is over 1000µF, tanδ shall be added 0.02 to the listed value with increase of every 1000µF.</p>	Rated Voltage (Vdc)	6.3	10	16	25	35	(20°C, 120Hz)	tanδ	0.22	0.19	0.16	0.14	0.12								
Rated Voltage (Vdc)	6.3	10	16	25	35	(20°C, 120Hz)																
tanδ	0.22	0.19	0.16	0.14	0.12																	
Endurance	<p>After applying rated voltage with rated ripple current for specified time at 105°C, the capacitors shall meet the following requirements.</p> <table border="1"> <tr> <td>Capacitance Change</td> <td>Within ±25% of the initial value.</td> <td rowspan="3"> <table border="1"> <tr> <th>Case Size</th> <th>Life Time (hrs)</th> </tr> <tr> <td>L=7</td> <td>1000</td> </tr> <tr> <td rowspan="4">L≥11</td> <td>φD≤6.3</td> <td>2000</td> </tr> <tr> <td>φD= 8</td> <td>3000</td> </tr> <tr> <td>φD= 10</td> <td>4000</td> </tr> <tr> <td>φD≥12.5</td> <td>5000</td> </tr> </table> </td> </tr> <tr> <td>Dissipation Factor</td> <td>Not more than 200% of the specified value.</td> </tr> <tr> <td>Leakage Current</td> <td>Not more than the specified value.</td> </tr> </table>	Capacitance Change	Within ±25% of the initial value.	<table border="1"> <tr> <th>Case Size</th> <th>Life Time (hrs)</th> </tr> <tr> <td>L=7</td> <td>1000</td> </tr> <tr> <td rowspan="4">L≥11</td> <td>φD≤6.3</td> <td>2000</td> </tr> <tr> <td>φD= 8</td> <td>3000</td> </tr> <tr> <td>φD= 10</td> <td>4000</td> </tr> <tr> <td>φD≥12.5</td> <td>5000</td> </tr> </table>	Case Size	Life Time (hrs)	L=7	1000	L≥11	φD≤6.3	2000	φD= 8	3000	φD= 10	4000	φD≥12.5	5000	Dissipation Factor	Not more than 200% of the specified value.	Leakage Current	Not more than the specified value.	
Capacitance Change	Within ±25% of the initial value.	<table border="1"> <tr> <th>Case Size</th> <th>Life Time (hrs)</th> </tr> <tr> <td>L=7</td> <td>1000</td> </tr> <tr> <td rowspan="4">L≥11</td> <td>φD≤6.3</td> <td>2000</td> </tr> <tr> <td>φD= 8</td> <td>3000</td> </tr> <tr> <td>φD= 10</td> <td>4000</td> </tr> <tr> <td>φD≥12.5</td> <td>5000</td> </tr> </table>	Case Size		Life Time (hrs)	L=7	1000	L≥11		φD≤6.3	2000	φD= 8	3000	φD= 10	4000	φD≥12.5	5000					
Case Size	Life Time (hrs)																					
L=7	1000																					
L≥11	φD≤6.3	2000																				
	φD= 8	3000																				
	φD= 10	4000																				
	φD≥12.5	5000																				
Dissipation Factor	Not more than 200% of the specified value.																					
Leakage Current	Not more than the specified value.																					
Low Temperature Stability Impedance Ratio(MAX)	<table border="1"> <tr> <td>Rated Voltage (Vdc)</td> <td>6.3</td> <td>10</td> <td>16</td> <td>25</td> <td>35</td> <td>(120Hz)</td> </tr> <tr> <td>Z(-25°C)/Z(20°C)</td> <td>2</td> <td>2</td> <td>2</td> <td>2</td> <td>2</td> <td></td> </tr> <tr> <td>Z(-40°C)/Z(20°C)</td> <td>12</td> <td>12</td> <td>10</td> <td>8</td> <td>6</td> <td></td> </tr> </table>	Rated Voltage (Vdc)	6.3	10	16	25	35	(120Hz)	Z(-25°C)/Z(20°C)	2	2	2	2	2		Z(-40°C)/Z(20°C)	12	12	10	8	6	
Rated Voltage (Vdc)	6.3	10	16	25	35	(120Hz)																
Z(-25°C)/Z(20°C)	2	2	2	2	2																	
Z(-40°C)/Z(20°C)	12	12	10	8	6																	

◆ MULTIPLIER FOR RIPPLE CURRENT

Frequency (Hz)		120	1k	10k	100k≤
Coefficient	4.7~10uF	0.15	0.53	0.80	1.00
	22~47uF	0.18	0.70	0.90	1.00
	56~100uF	0.27	0.73	0.92	1.00
	120~270uF	0.49	0.73	0.92	1.00
	330~680uF	0.55	0.77	0.94	1.00
	820~1500uF	0.60	0.80	0.96	1.00
	2200~3900uF	0.70	0.85	0.98	1.00

◆ DIMENSIONS

◆ PART NUMBER

□□□	ZLG	□□□□□	M	□□□	□□	DXL
Rated Voltage	Series	Capacitance	Capacitance Tolerance	Option	Lead Forming	Case Size

◆ OPTION

PET Sleeve	Code
	EFC

◆STANDARD SIZE

Rated Voltage (Vdc)	Capacitance (μF)	Size φD×L(mm)	Rated ripple current (mA r.m.s./105°C, 100kHz)	Impedance (Ω MAX)		Rated Voltage (Vdc)	Capacitance (μF)	Size φD×L(mm)	Rated ripple current (mA r.m.s./105°C, 100kHz)	Impedance (Ω MAX)	
				20°C, 100kHz	-10°C, 100kHz					20°C, 100kHz	-10°C, 100kHz
6.3	33	4×7	230	0.48	1.6	25	10	4×7	230	0.52	1.7
	47	5×7	350	0.26	0.86		22	5×7	350	0.27	0.89
	100	6.3×7	480	0.15	0.50		33	6.3×7	480	0.16	0.53
	150	5×11	405	0.15	0.50		47	6.3×7	480	0.15	0.50
	330	6.3×11	760	0.065	0.19		47	5×11	405	0.15	0.50
	560	8×11.5	1000	0.036	0.11		100	6.3×11	760	0.065	0.19
	820	8×16	1250	0.028	0.083		220	8×11.5	1000	0.036	0.11
	1000	10×12.5	1430	0.027	0.070		330	8×16	1250	0.028	0.083
	1200	8×20	1600	0.020	0.056		330	10×12.5	1430	0.027	0.070
	1200	10×16	1820	0.020	0.056		470	8×20	1600	0.020	0.056
	1500	10×20	2180	0.014	0.033		470	10×16	1820	0.020	0.056
	1500	12.5×16	2200	0.018	0.033		680	10×20	2180	0.014	0.033
	2200	10×23	2360	0.013	0.030		680	12.5×16	2200	0.018	0.033
	3300	12.5×20	2480	0.013	0.030		820	10×23	2360	0.013	0.030
3900	12.5×25	2900	0.012	0.024	1000	12.5×20	2480	0.013	0.030		
10	22	4×7	230	0.49	1.6	35	4.7	4×7	230	0.64	2.1
	33	5×7	350	0.26	0.86		10	5×7	350	0.33	1.1
	47	5×7	350	0.26	0.86		22	6.3×7	480	0.17	0.56
	100	6.3×7	480	0.15	0.50		33	6.3×7	480	0.16	0.53
	100	5×11	405	0.15	0.50		33	5×11	405	0.15	0.50
	220	6.3×11	760	0.065	0.19		56	6.3×11	760	0.065	0.19
	470	8×11.5	1000	0.036	0.11		150	8×11.5	1000	0.036	0.11
	680	8×16	1250	0.028	0.083		220	8×16	1250	0.028	0.083
	680	10×12.5	1430	0.027	0.070		220	10×12.5	1430	0.027	0.070
	1000	8×20	1600	0.020	0.056		270	8×20	1600	0.020	0.056
	1000	10×16	1820	0.020	0.056		330	10×12.5	1330	0.039	0.014
	1200	10×20	2180	0.014	0.033		330	10×16	1820	0.020	0.056
	1200	12.5×16	2200	0.018	0.033		470	10×20	2180	0.014	0.033
	1500	10×23	2360	0.013	0.030		470	12.5×16	2200	0.018	0.033
2200	12.5×20	2480	0.013	0.030	560	10×23	2360	0.013	0.030		
3300	12.5×25	2900	0.012	0.024	680	12.5×20	2480	0.013	0.030		
16	22	5×7	350	0.27	0.89	1000	12.5×25	2900	0.012	0.024	
	33	5×7	350	0.26	0.86						
	47	6.3×7	480	0.15	0.50						
	56	5×11	405	0.15	0.50						
	120	6.3×11	760	0.065	0.19						
	330	8×11.5	1000	0.036	0.11						
	470	8×16	1250	0.028	0.083						
	470	10×12.5	1430	0.027	0.070						
	680	8×20	1600	0.020	0.056						
	680	10×16	1820	0.020	0.056						
	1000	10×20	2180	0.014	0.033						
	1000	12.5×16	2200	0.018	0.033						
	1200	10×23	2360	0.013	0.030						
	1500	12.5×20	2480	0.013	0.030						
2200	12.5×25	2900	0.012	0.024							