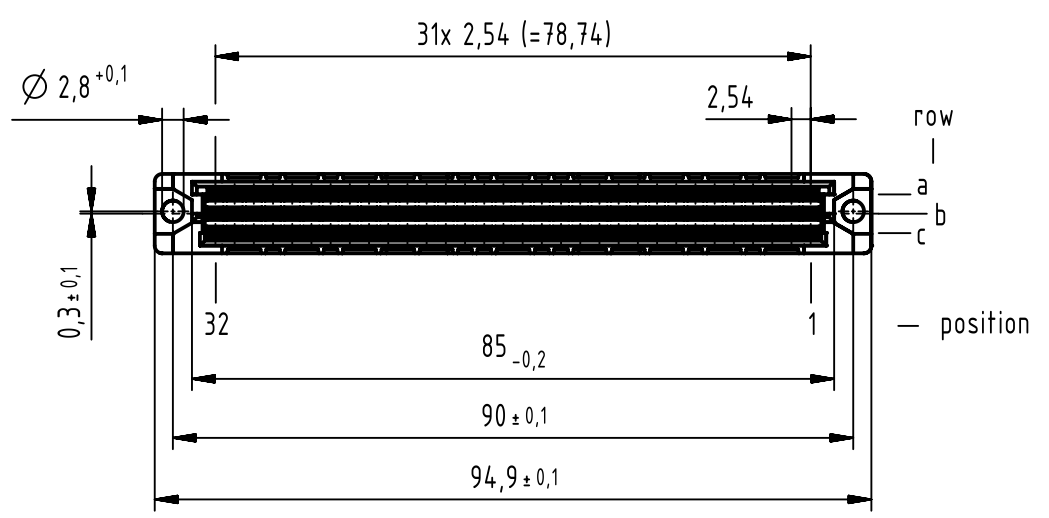
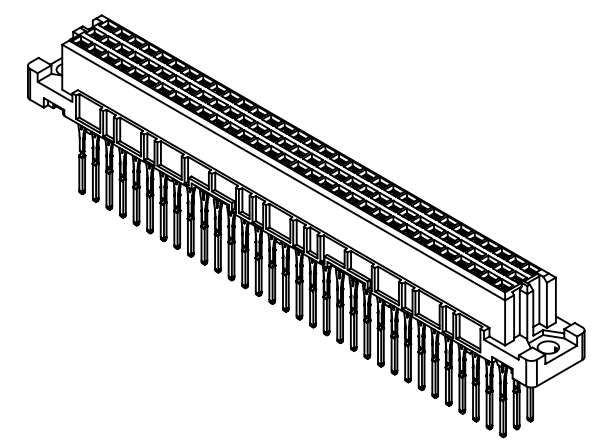
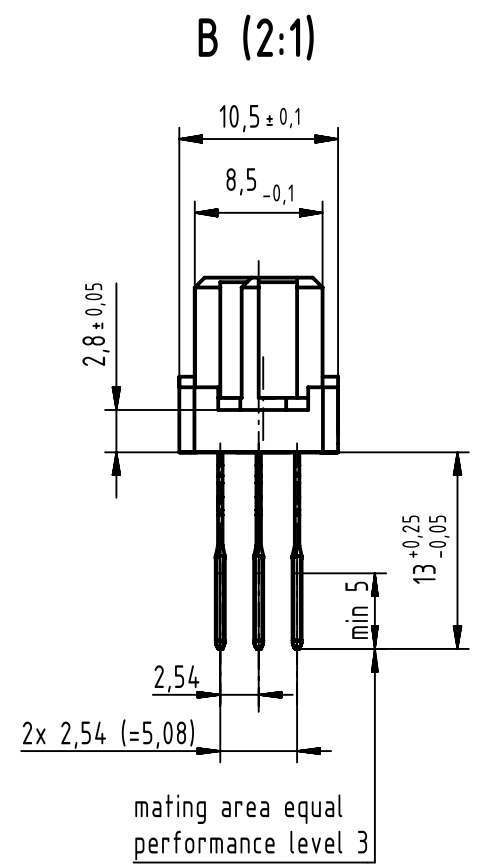
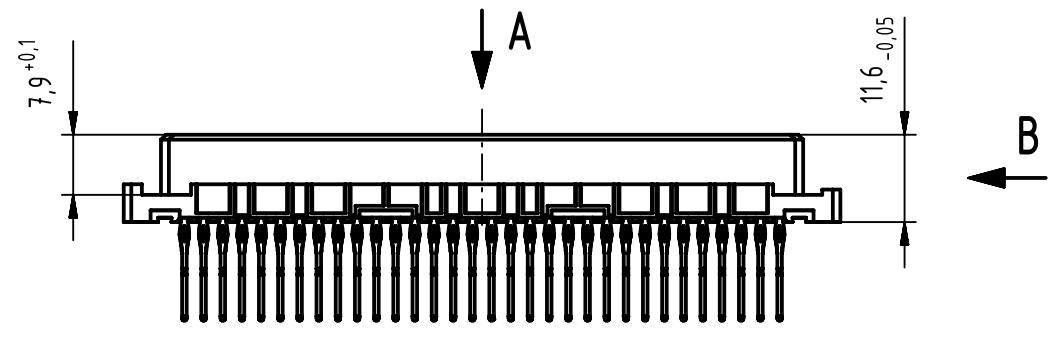


96 press-in contacts

☒ = position with contact

☐ = position without contact



$\text{\textcircled{1}}$ recommended configuration of plated through holes and further information see: DS 09032100001

09 03 296 6861	2
09 03 296 2861	1
part-no	performance level $\text{\textcircled{1}}$

	All rights reserved	Created by	Inspected by	Standardisation	Date	State
	Department EL PD	STORCK	LEHNERT	KOHLER	2016-05-20	Final Release
HARTING Electronics GmbH		Title				Doc-Key / ECM-Nr. 100072194/UGD/085/D 500000104358
D-32339 Espelkamp		Type	Number	DIN Signal type C female press-in 13.0 96-pole		
		TB	0903296X861	Rev.	Page	
				D	1/1	