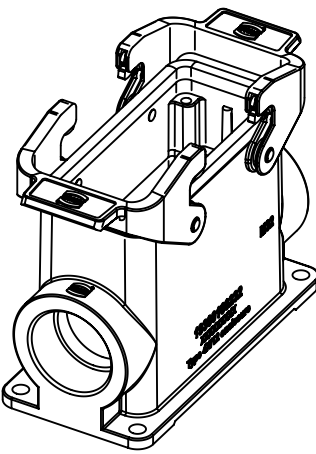



19300160232
XXXXXXXXXX
Type 4X/12 enclosure



	All rights reserved		Created by RULLKOETTER		Inspected by BERGHORN		Standardisation TIEMANNA		Date 2016-07-19		State Final Release	
	Department EL PD		Title Han 16B SM Base HC 1 x M32		Number 19 30 016 0232		Doc-Key / ECM-Nr. 100211445/UGD/004/B 500000104270		Rev. B		Page 1/1	
HARTING Electric GmbH & Co. KG D-32339 Espelkamp			All Dimensions in mm Original Size DIN A4		Scale 1:1		Free size tol.		Ref. Sub.			