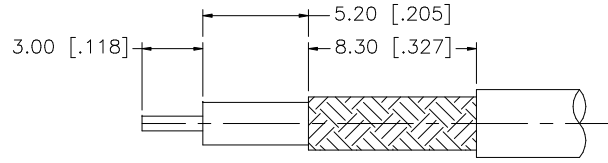
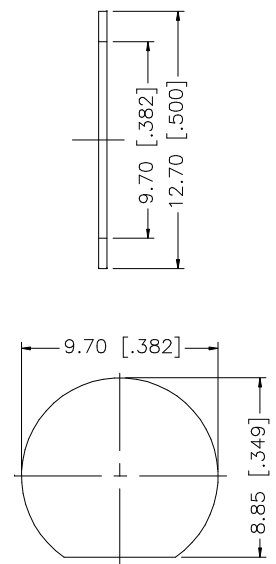
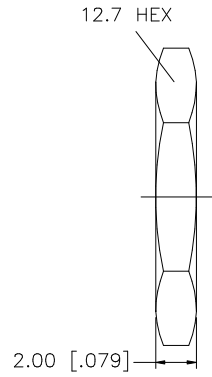


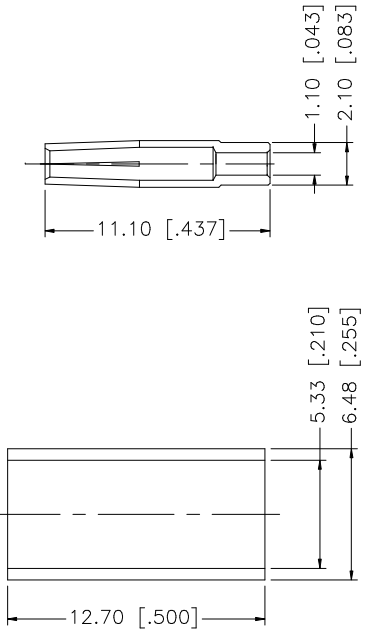
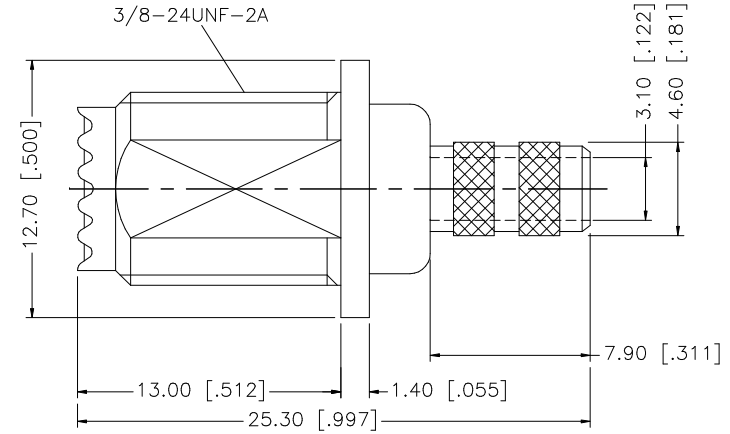
REV.	DATE	DESCRIPTION
NC	01/12/00	INITIAL RELEASE
A	07/31/05	UPDATE DRAWING FORMAT



RECOMMENDED
CABLE STRIPPING DIM'S



RECOMMENDED
MOUNTING HOLE



QTY	FINISH	MATERIAL	DESCRIPTION
1	NICKEL	BRASS	BODY
1	NATURAL	TEFLON	INSULATOR
1	NICKEL	BRASS	BARREL
1	GOLD	PHOS. BRONZE	CONTACT PIN
1	NATURAL	DELTRIN	SLEEVE
1	NICKEL	BRASS	FERRULE

UNLESS OTHERWISE SPECIFIED DIMENSIONS ARE IN MILLIMETERS; DIMENSIONS IN [] ARE IN INCHES AND FOR CUSTOMER REFERENCE ONLY.

UNLESS OTHERWISE SPECIFIED TOLERANCES FOR MILLIMETERS ARE:
0.5 - 8mm ± 0.20mm
8 - 30mm ± 0.40mm
30 - 120mm ± 0.50mm

UNLESS OTHERWISE SPECIFIED TOLERANCES FOR INCHES ARE:
.020 - .315 = ± 0.007"
.315 - 1.180 = ± 0.015"
1.180 - 4.724 = ± 0.020"

DO NOT SCALE DRAWING

APPROVALS	DATE
DRAWN G.R.S.	07/31/05
CHECKED	
ISSUED	
SHEET 1 OF 1	
CAD FILE C:/182/182318.DWG	

Amphenol Connex

PART DESCRIPTION
**MINI-UHF BULKHEAD CRIMP JACK
(FOR RG-58/U CABLE)**

PART NO.
182318

DWG. NO. 182318.DWG	REV. A	SIZE A	SCALE NA
---------------------	--------	--------	----------

Mouser Electronics

Authorized Distributor

Click to View Pricing, Inventory, Delivery & Lifecycle Information:

[Amphenol:](#)

[182318](#)