

4

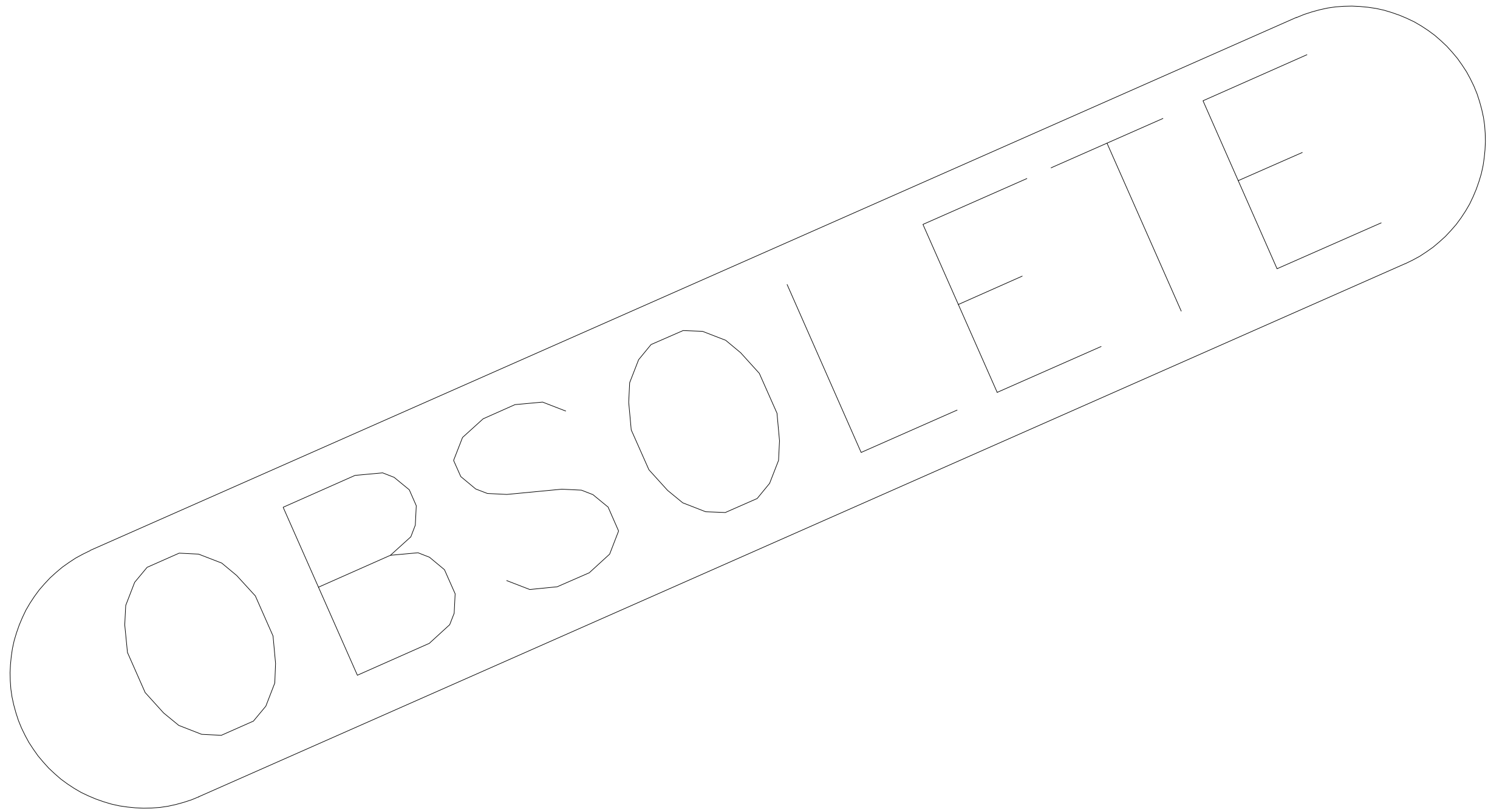
3


2

1

THIS DRAWING IS UNPUBLISHED.      RELEASED FOR PUBLICATION      - , - .  
 © COPYRIGHT - By -      ALL RIGHTS RESERVED.

LOC		DIST		REVISIONS			
P	LTR	DESCRIPTION		DATE	DWN	APVD	
-	-	-	-	OBSOLETE ALL PARTS	27JUL2015	I.T	W.H



THIS DRAWING IS A CONTROLLED DOCUMENT.		DWN	-	 TE Connectivity			
DIMENSIONS: mm		CHK	-				
TOLERANCES UNLESS OTHERWISE SPECIFIED:		APVD	-	NAME			
0 PLC ± - 1 PLC ± - 2 PLC ± - 3 PLC ± - 4 PLC ± - ANGLES ± -		PRODUCT SPEC	108-57578				
MATERIAL		APPLICATION SPEC	-				
FINISH		WEIGHT	-	SIZE	CAGE CODE	DRAWING NO	RESTRICTED TO
-		CUSTOMER DRAWING		A3	00779	C--	-
				SCALE	1:1	SHEET	1 OF 1
				REV	-		

# Mouser Electronics

Authorized Distributor

Click to View Pricing, Inventory, Delivery & Lifecycle Information:

[TE Connectivity:](#)

[2-1775188-0](#)