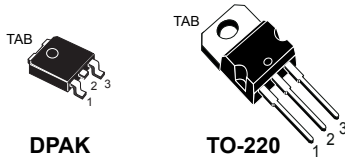
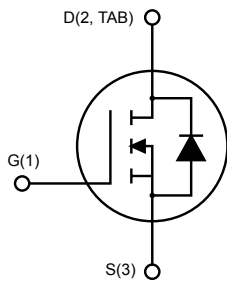


## N-channel 550 V, 0.150 $\Omega$ typ., 16 A MDmesh™ M5 Power MOSFETs in a DPAK and TO-220 packages



DPAK

TO-220



AM01475v1\_noZen

### Features

Order code	$V_{DS}$ @ $T_{jmax.}$	$R_{DS(on)max.}$	Package
STD18N55M5	600 V	0.192 $\Omega$	DPAK
STP18N55M5			TO-220

- Extremely low  $R_{DS(on)}$
- Low gate charge and input capacitance
- Excellent switching performance
- 100% avalanche tested

### Applications

- Switching applications

### Description

These devices are N-channel Power MOSFETs based on the MDmesh™ M5 innovative vertical process technology combined with the well-known PowerMESH™ horizontal layout. The resulting products offer extremely low on-resistance, making them particularly suitable for applications requiring high power and superior efficiency.

#### Product status link

[STD18N55M5](#)
[STP18N55M5](#)

# 1 Electrical ratings

**Table 1. Absolute maximum ratings**

Symbol	Parameter	Value	Unit
$V_{GS}$	Gate-source voltage	$\pm 25$	V
$I_D$	Drain current (continuous) at $T_C = 25\text{ }^\circ\text{C}$	16	A
$I_D$	Drain current (continuous) at $T_C = 100\text{ }^\circ\text{C}$	10	A
$I_{DM}^{(1)}$	Drain current (pulsed)	64	A
$P_{TOT}$	Total dissipation at $T_C = 25\text{ }^\circ\text{C}$	110	W
$dv/dt^{(2)}$	Peak diode recovery voltage slope	15	V/ns
$T_j$	Operating junction temperature range	-55 to 150	$^\circ\text{C}$
$T_{stg}$	Storage temperature range		

1. Pulse width limited by safe operating area.

2.  $I_{SD} \leq 16\text{ A}$ ,  $di/dt \leq 400\text{ A}/\mu\text{s}$ ;  $V_{DS\ peak} < V_{(BR)DSS}$ ;  $V_{DD} = 340\text{ V}$ .

**Table 2. Thermal data**

Symbol	Parameter	Value		Unit
		DPAK	TO-220	
$R_{thj-case}$	Thermal resistance junction-case	1.14		$^\circ\text{C}/\text{W}$
$R_{thj-amb}$	Thermal resistance junction-ambient		62.5	$^\circ\text{C}/\text{W}$
$R_{thj-pcb}^{(1)}$	Thermal resistance junction-pcb	50		$^\circ\text{C}/\text{W}$

1. When mounted on an 1-inch<sup>2</sup> FR-4, 2oz Cu board.

**Table 3. Avalanche characteristics**

Symbol	Parameter	Value	Unit
$I_{AR}$	Avalanche current, repetitive or not-repetitive (pulse width limited by $T_j\text{ Max}$ )	4	A
$E_{AS}$	Single pulse avalanche energy (starting $T_j = 25\text{ }^\circ\text{C}$ , $I_D = I_{AR}$ , $V_{DD} = 50\text{ V}$ )	210	mJ

## 2 Electrical characteristics

( $T_{CASE} = 25\text{ °C}$  unless otherwise specified)

**Table 4. On/off states**

Symbol	Parameter	Test condition	Min.	Typ.	Max.	Unit
$V_{(BR)DSS}$	Drain-source Breakdown voltage	$I_D = 1\text{ mA}, V_{GS} = 0\text{ V}$	550			V
$I_{DSS}$	Zero gate voltage drain current	$V_{GS} = 0\text{ V}, V_{DS} = 550\text{ V}$			1	$\mu\text{A}$
		$V_{GS} = 0\text{ V}, V_{DS} = 550\text{ V}, T_C = 125\text{ °C}^{(1)}$			100	$\mu\text{A}$
$I_{GSS}$	Gate body leakage current	$V_{DS} = 0\text{ V}, V_{GS} = \pm 25\text{ V}$			$\pm 100$	nA
$V_{GS(th)}$	Gate threshold voltage	$V_{DS} = V_{GS}, I_D = 250\text{ }\mu\text{A}$	3	4	5	V
$R_{DS(on)}$	Static drain-source on resistance	$V_{GS} = 10\text{ V}, I_D = 8\text{ A}$		0.150	0.192	$\Omega$

1. Defined by design, not subject to production test.

**Table 5. Dynamic**

Symbol	Parameter	Test condition	Min.	Typ.	Max.	Unit
$C_{iss}$	Input capacitance	$V_{DS} = 100\text{ V}, f = 1\text{ MHz}, V_{GS} = 0\text{ V}$	-	1260	-	$\mu\text{F}$
$C_{oss}$	Output capacitance			42		
$C_{rss}$	Reverse transfer capacitance			3.6		
$C_{o(tr)}^{(1)}$	Equivalent capacitance time related	$V_{DS} = 0\text{ to }440\text{ V}, V_{GS} = 0\text{ V}$	-	103	-	$\mu\text{F}$
$C_{o(er)}^{(2)}$	Equivalent capacitance energy related			35		
$R_g$	Gate input resistance	$f = 1\text{ MHz}$ open drain	-	2.8	-	$\Omega$
$Q_g$	Total gate charge	$V_{DD} = 440\text{ V}, I_D = 8\text{ A}, V_{GS} = 0\text{ to }10\text{ V}$ (see Figure 18. Test circuit for gate charge behavior)	-	31	-	nC
$Q_{gs}$	Gate-source charge			8.3		
$Q_{gd}$	Gate-drain charge			14.2		

1. Time related is defined as a constant equivalent capacitance giving the same charging time as  $C_{oss}$  when  $V_{DS}$  increases from 0 to 80%  $V_{DSS}$ .

2. Energy related is defined as a constant equivalent capacitance giving the same stored energy as  $C_{oss}$  when  $V_{DS}$  increases from 0 to 80%  $V_{DSS}$ .

**Table 6. Switching times**

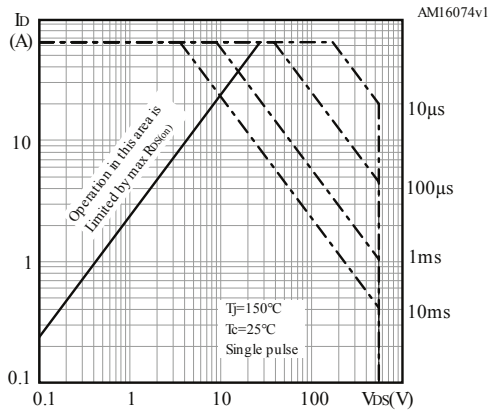
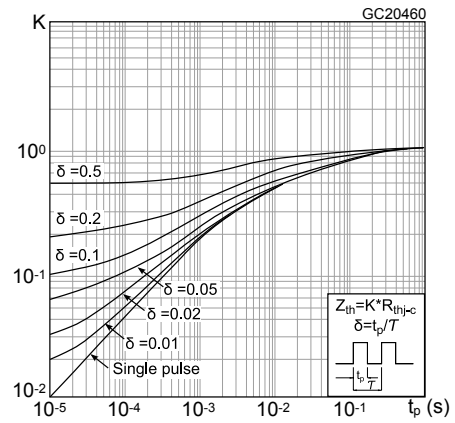
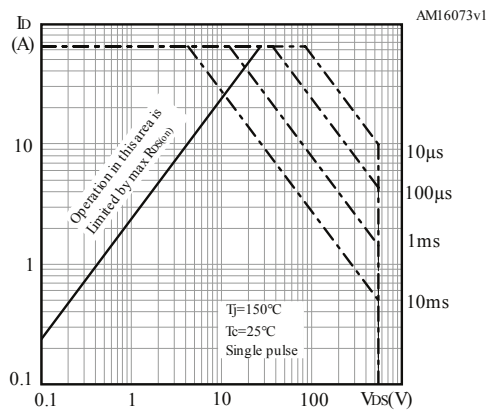
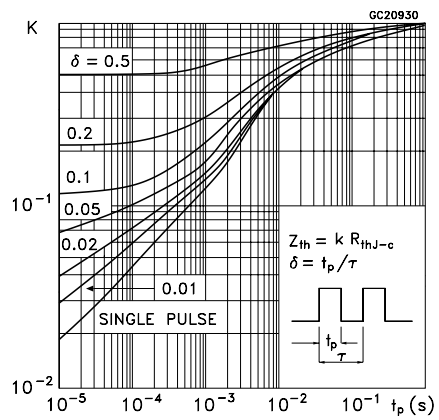
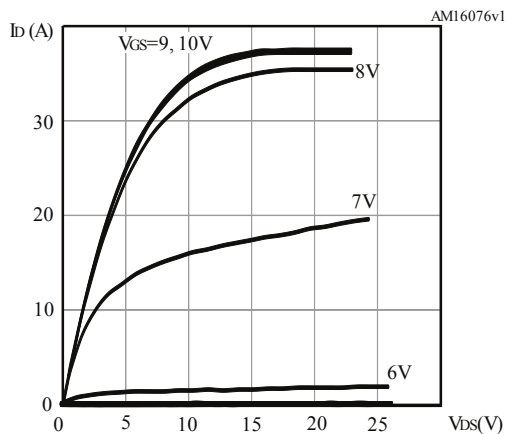
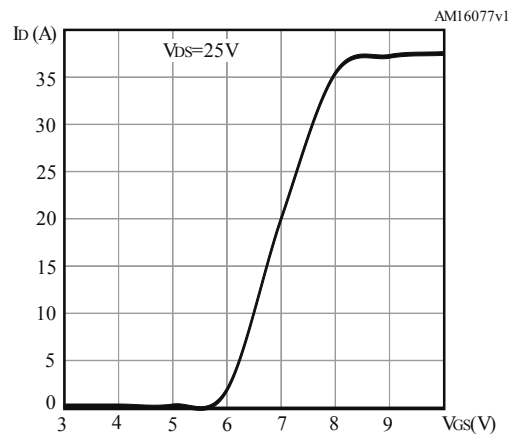
Symbol	Parameter	Test condition	Min.	Typ.	Max.	Unit
$t_{d(v)}$	Voltage delay time	$V_{DD} = 400\text{ V}$ , $I_D = 10.5\text{ A}$ , $R_G = 4.7\ \Omega$ , $V_{GS} = 10\text{ V}$ (see Figure 19. Test circuit for inductive load switching and diode recovery times and Figure 22. Switching time waveform)	-	37	-	ns
$t_{r(v)}$	Voltage rise time			7		
$t_{c(off)}$	Crossing time			10.3		
$t_{f(i)}$	Current fall time			8.3		

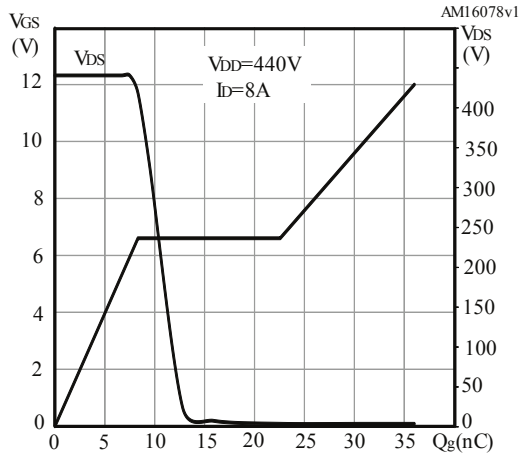
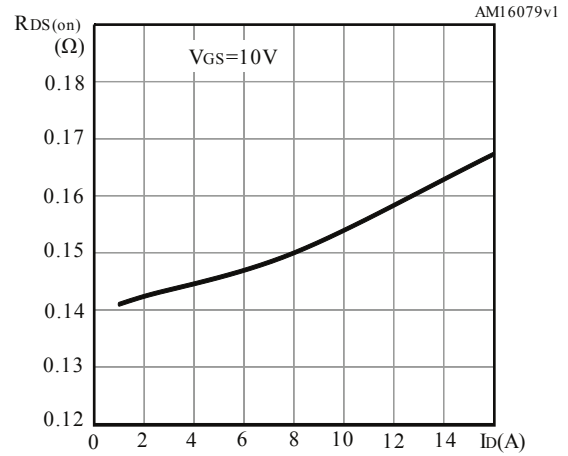
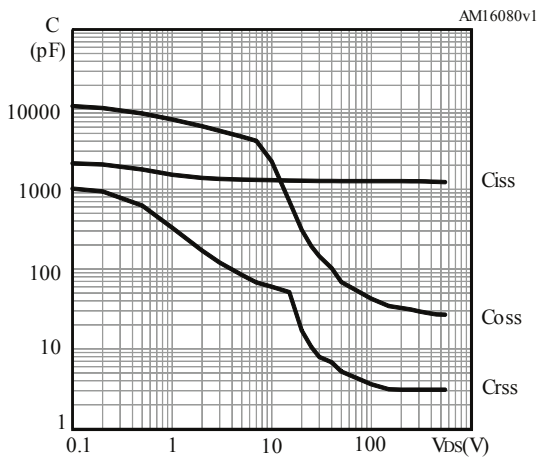
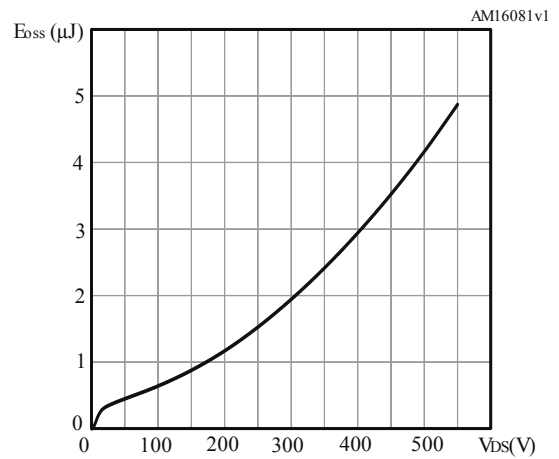
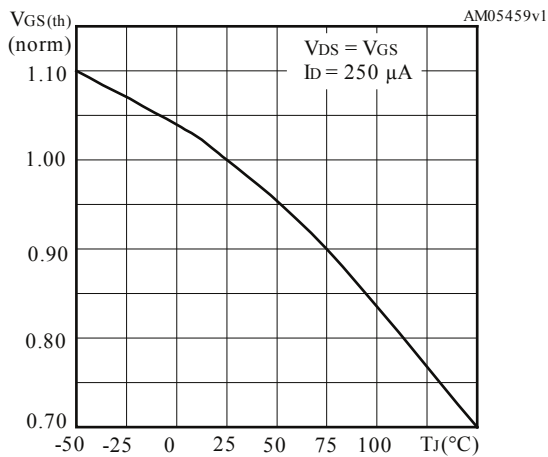
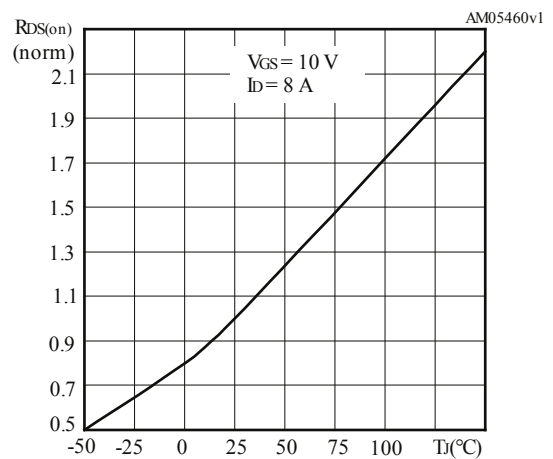
**Table 7. Source drain diode**

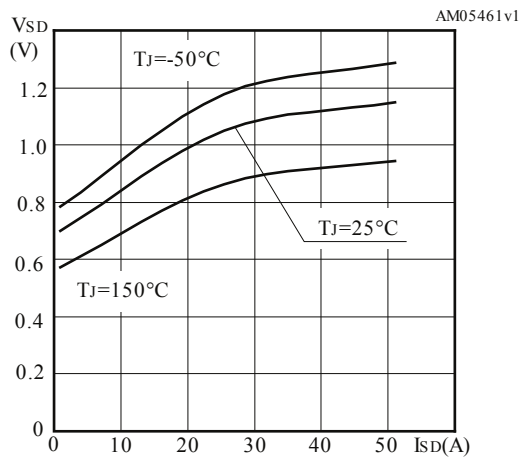
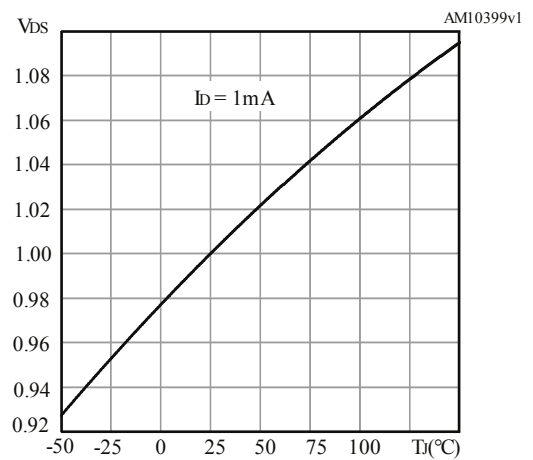
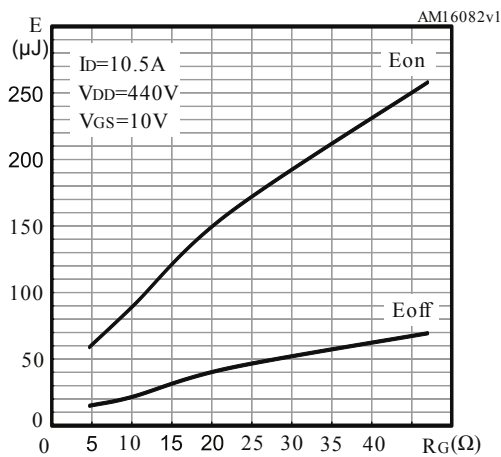
Symbol	Parameter	Test condition	Min.	Typ.	Max.	Unit
$I_{SD}$	Source-drain current		-		16	A
$I_{SDM}^{(1)}$	Source-drain current (pulsed)				64	
$V_{SD}^{(2)}$	Forward on voltage	$I_{SD} = 16\text{ A}$ , $V_{GS} = 0\text{ V}$	-		1.5	V
$t_{rr}$	Reverse recovery time	$I_{SD} = 16\text{ A}$ , $di/dt = 100\text{ A}/\mu\text{s}$ $V_{DD} = 100\text{ V}$ (see Figure 19. Test circuit for inductive load switching and diode recovery times)	-	244		ns
$Q_{rr}$	Reverse recovery charge			2.8		$\mu\text{C}$
$I_{RRM}$	Reverse recovery current			23		A
$t_{rr}$	Reverse recovery time	$I_{SD} = 16\text{ A}$ , $di/dt = 100\text{ A}/\mu\text{s}$ $V_{DD} = 100\text{ V}$ , $T_j = 150\text{ }^\circ\text{C}$ (see Figure 19. Test circuit for inductive load switching and diode recovery times)	-	295		ns
$Q_{rr}$	Reverse recovery charge			3.7		$\mu\text{C}$
$I_{RRM}$	Reverse recovery current			25		A

1. Pulse width limited by safe operating area.
2. Pulsed: pulse duration = 300  $\mu\text{s}$ , duty cycle 1.5%.

## 2.1 Electrical characteristics curves

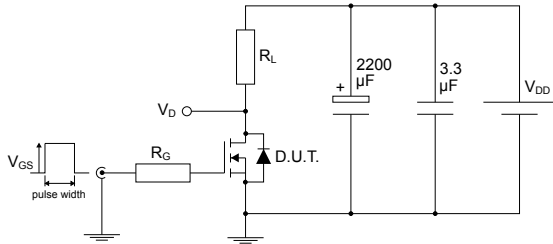
**Figure 1. Safe operating area for DPAK**

**Figure 2. Thermal impedance DPAK**

**Figure 3. Safe operating area for TO-220**

**Figure 4. Thermal impedance for TO-220**

**Figure 6. Output characteristics**

**Figure 7. Transfer characteristics**


**Figure 8. Gate charge vs gate-source voltage**

**Figure 9. Static drain-source on resistance**

**Figure 10. Capacitance variations**

**Figure 11. Output capacitance stored energy**

**Figure 12. Normalized on-resistance vs temperature**

**Figure 13. Normalized gate threshold voltage vs temperature**


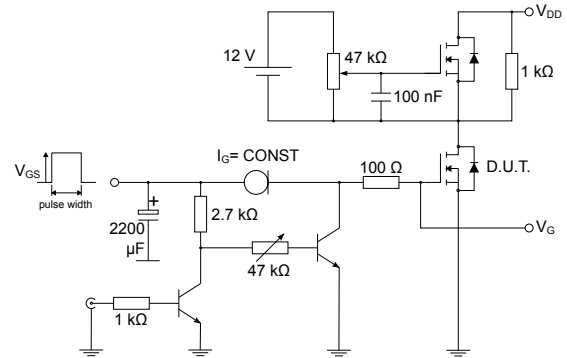
**Figure 14. Drain-source diode forward characteristics**

**Figure 15. Normalized  $V_{(BR)DSS}$  vs temperature**

**Figure 16. Switching energy vs gate resistance**


\*  $E_{on}$  including reverse recovery of a SiC diode

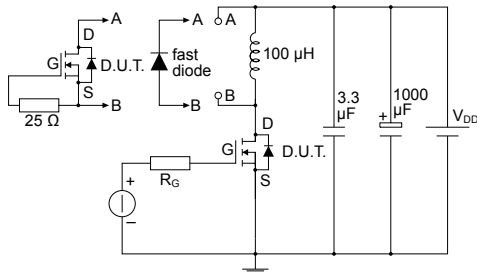
### 3 Test circuits

**Figure 17. Test circuit for resistive load switching times**


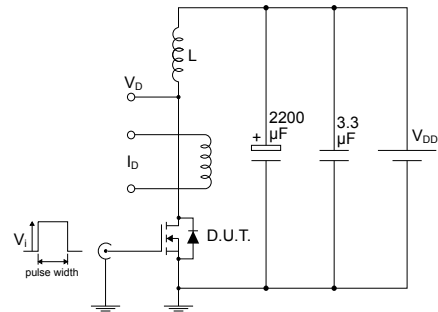
AM01488v1

**Figure 18. Test circuit for gate charge behavior**


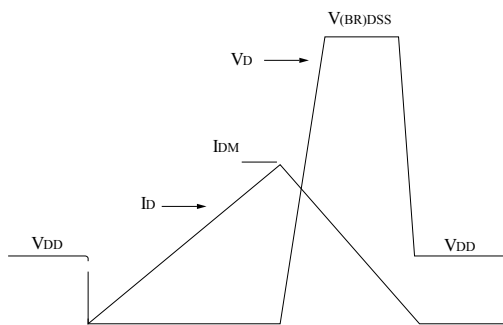
AM01469v1

**Figure 19. Test circuit for inductive load switching and diode recovery times**


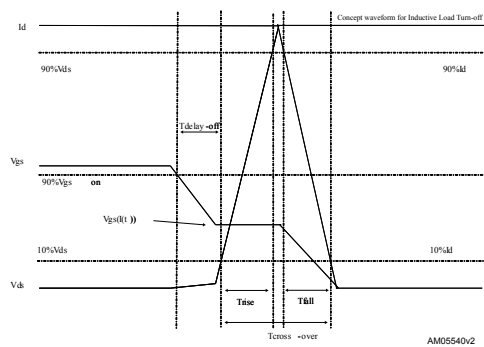
AM01470v1

**Figure 20. Unclamped inductive load test circuit**


AM01471v1

**Figure 21. Unclamped inductive waveform**


AM01472v1

**Figure 22. Switching time waveform**


AM05540v2



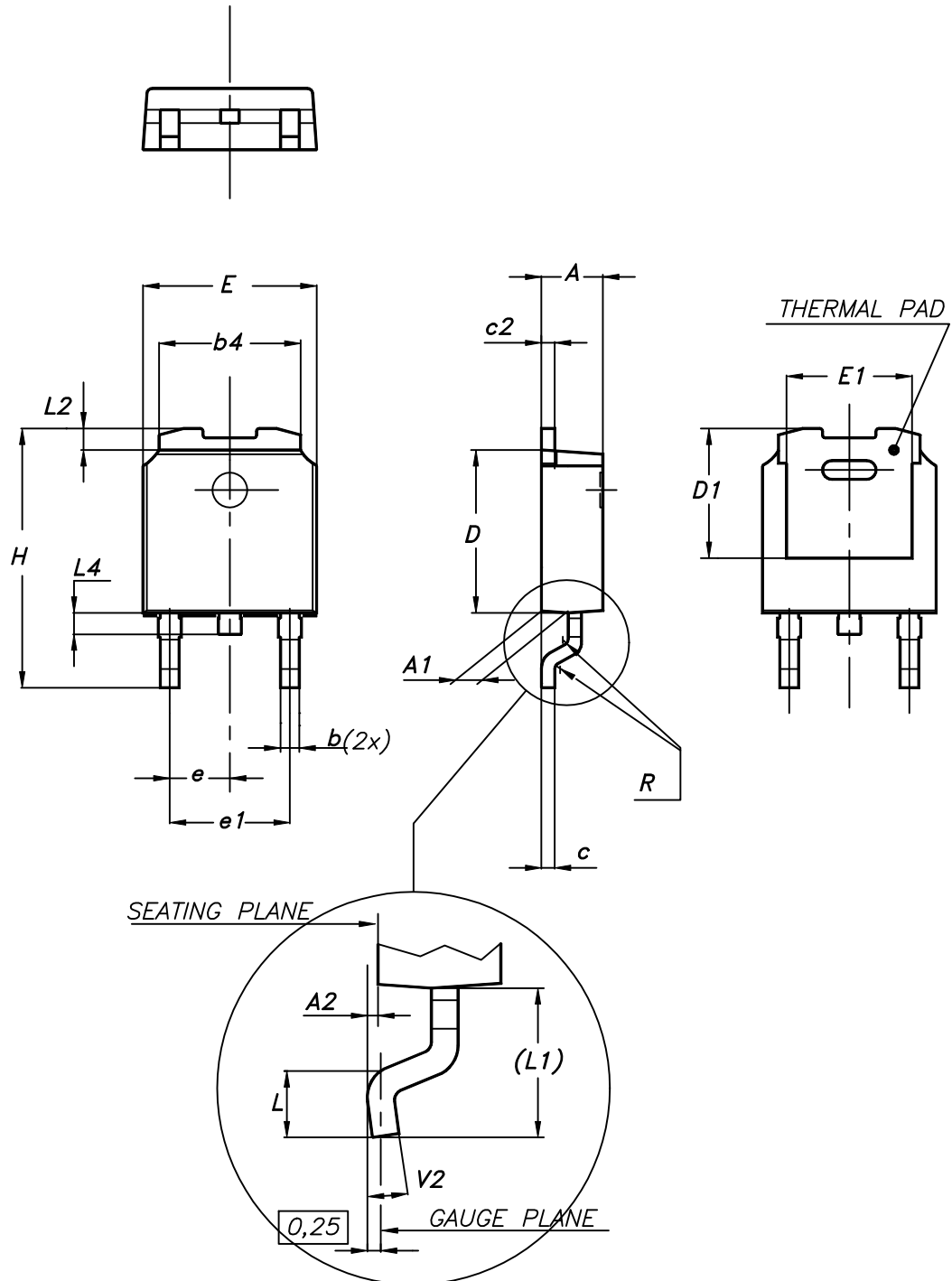
## 4 Package information

---

In order to meet environmental requirements, ST offers these devices in different grades of ECOPACK® packages, depending on their level of environmental compliance. ECOPACK® specifications, grade definitions and product status are available at: [www.st.com](http://www.st.com). ECOPACK® is an ST trademark.

#### 4.1 DPAK (TO-252) type A2 package information

Figure 23. DPAK (TO-252) type A2 package outline



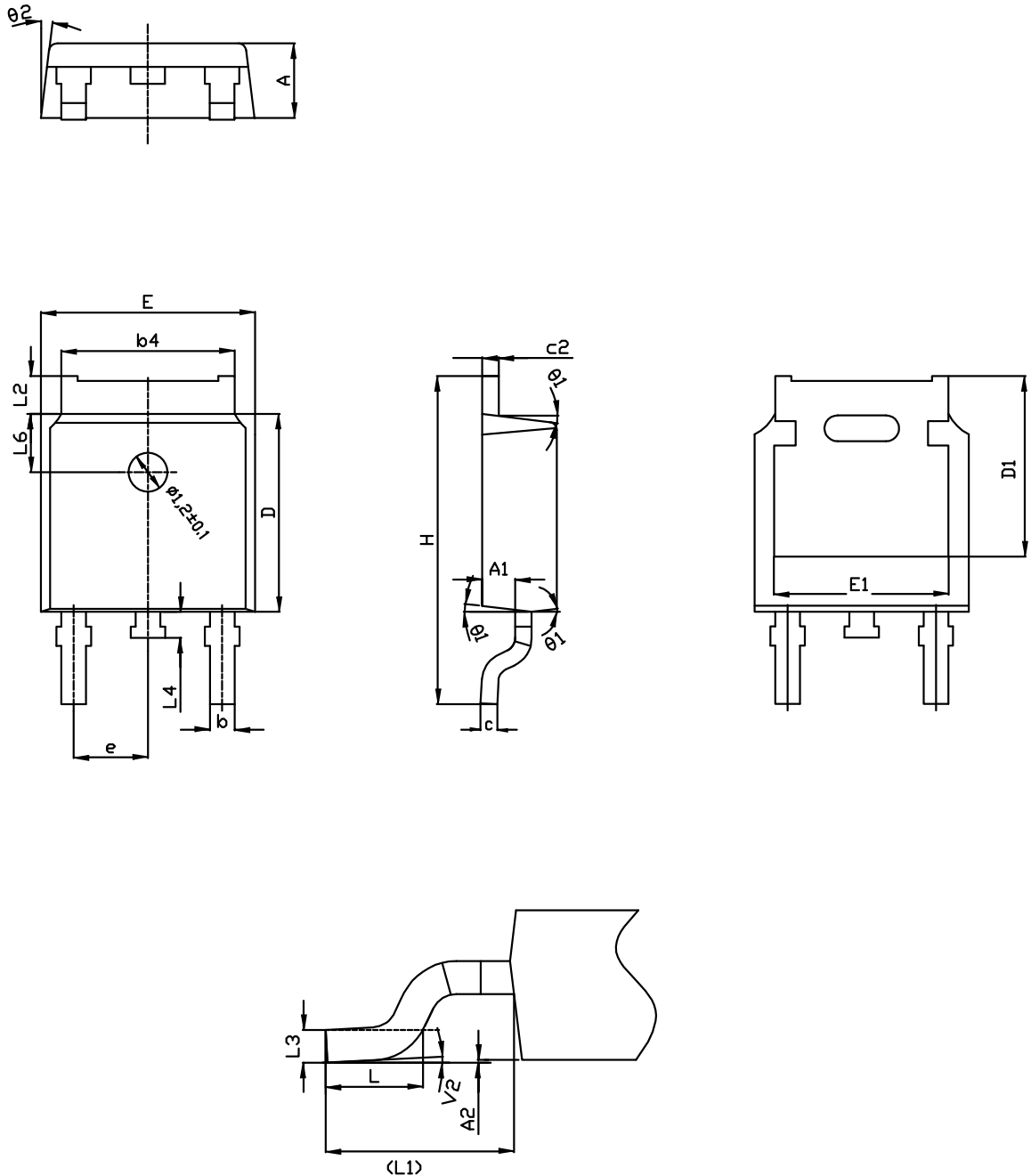
0068772\_type-A2\_rev25

**Table 8. DPAK (TO-252) type A2 mechanical data**

Dim.	mm		
	Min.	Typ.	Max.
A	2.20		2.40
A1	0.90		1.10
A2	0.03		0.23
b	0.64		0.90
b4	5.20		5.40
c	0.45		0.60
c2	0.48		0.60
D	6.00		6.20
D1	4.95	5.10	5.25
E	6.40		6.60
E1	5.10	5.20	5.30
e	2.159	2.286	2.413
e1	4.445	4.572	4.699
H	9.35		10.10
L	1.00		1.50
L1	2.60	2.80	3.00
L2	0.65	0.80	0.95
L4	0.60		1.00
R		0.20	
V2	0°		8°

## 4.2 DPAK (TO-252) type C2 package information

Figure 24. DPAK (TO-252) type C2 package outline



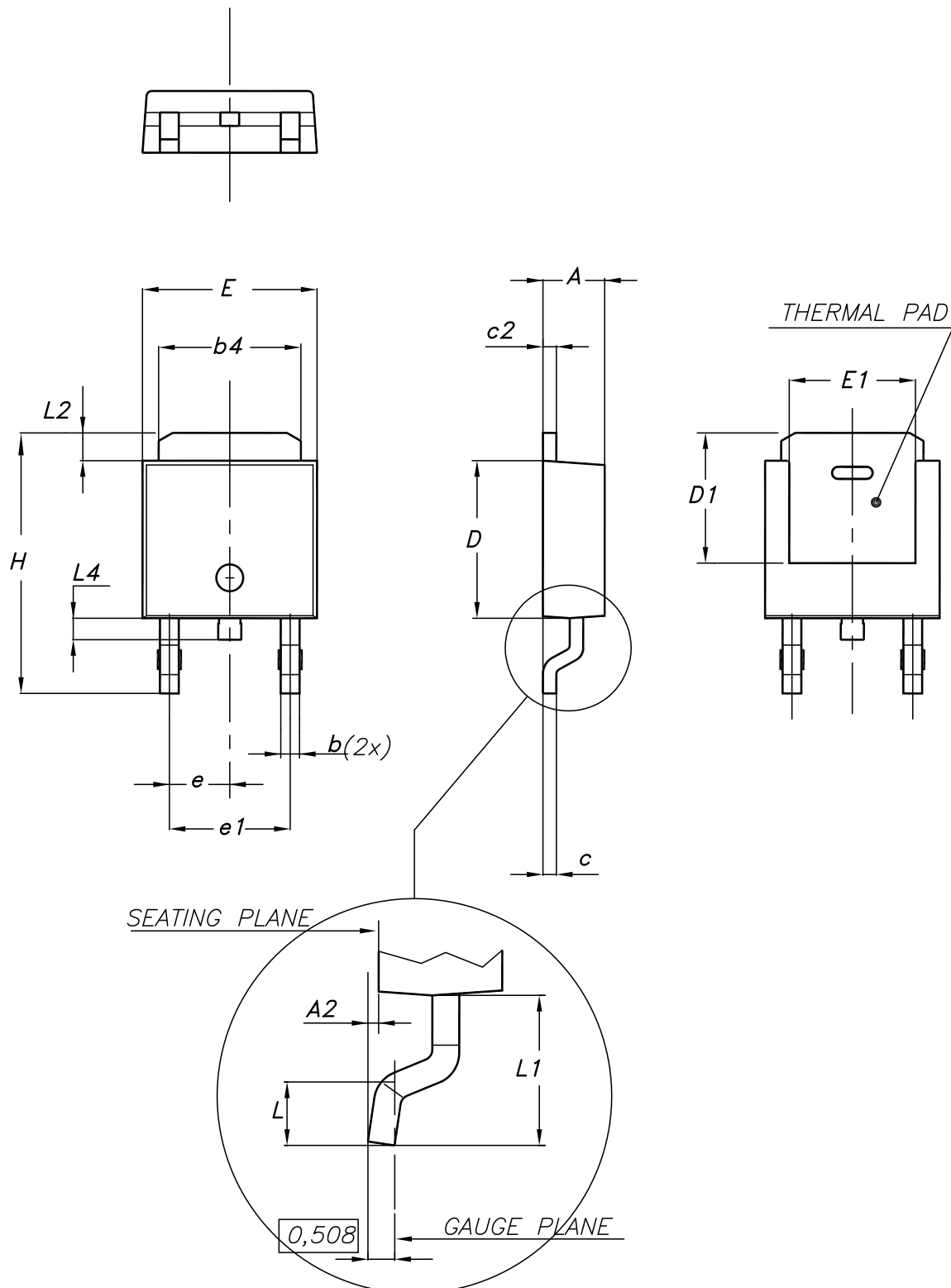
0068772\_C2\_25

**Table 9. DPAK (TO-252) type C2 mechanical data**

Dim.	mm		
	Min.	Typ.	Max.
A	2.20	2.30	2.38
A1	0.90	1.01	1.10
A2	0.00		0.10
b	0.72		0.85
b4	5.13	5.33	5.46
c	0.47		0.60
c2	0.47		0.60
D	6.00	6.10	6.20
D1	5.10		5.60
E	6.50	6.60	6.70
E1	5.20		5.50
e	2.186	2.286	2.386
H	9.80	10.10	10.40
L	1.40	1.50	1.70
L1	2.90 REF		
L2	0.90		1.25
L3	0.51 BSC		
L4	0.60	0.80	1.00
L6	1.80 BSC		
θ1	5°	7°	9°
θ2	5°	7°	9°
V2	0°		8°

### 4.3 DPAK (TO-252) type E package information

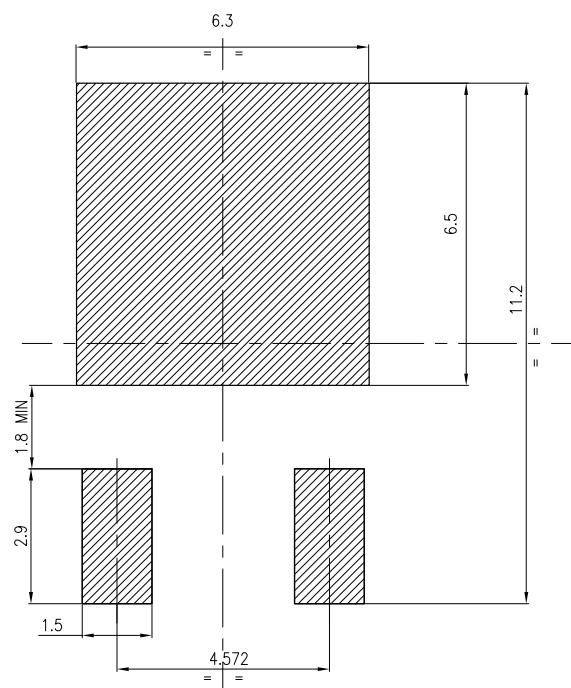
Figure 25. DPAK (TO-252) type E package outline



**Table 10. DPAK (TO-252) type E mechanical data**

Dim.	mm		
	Min.	Typ.	Max.
A	2.18		2.39
A2			0.13
b	0.65		0.884
b4	4.95		5.46
c	0.46		0.61
c2	0.46		0.60
D	5.97		6.22
D1	5.21		
E	6.35		6.73
E1	4.32		
e		2.286	
e1		4.572	
H	9.94		10.34
L	1.50		1.78
L1		2.74	
L2	0.89		1.27
L4			1.02

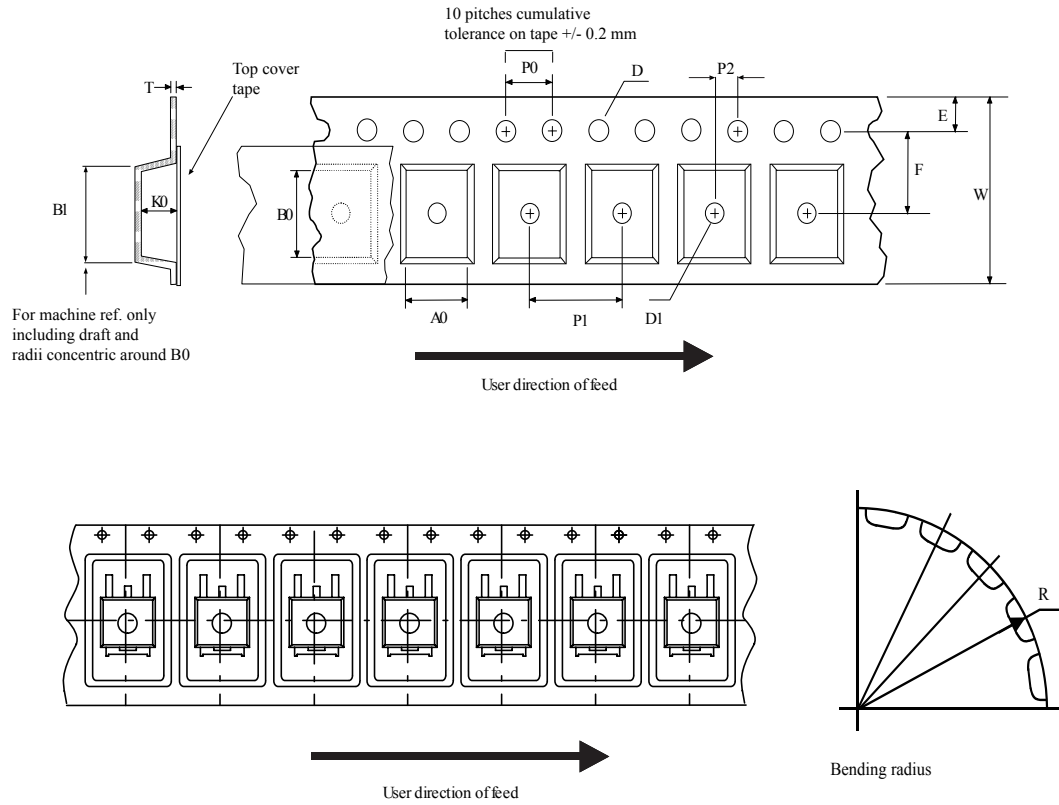
**Figure 26. DPAK (TO-252) recommended footprint (dimensions are in mm)**



FP\_0068772\_25

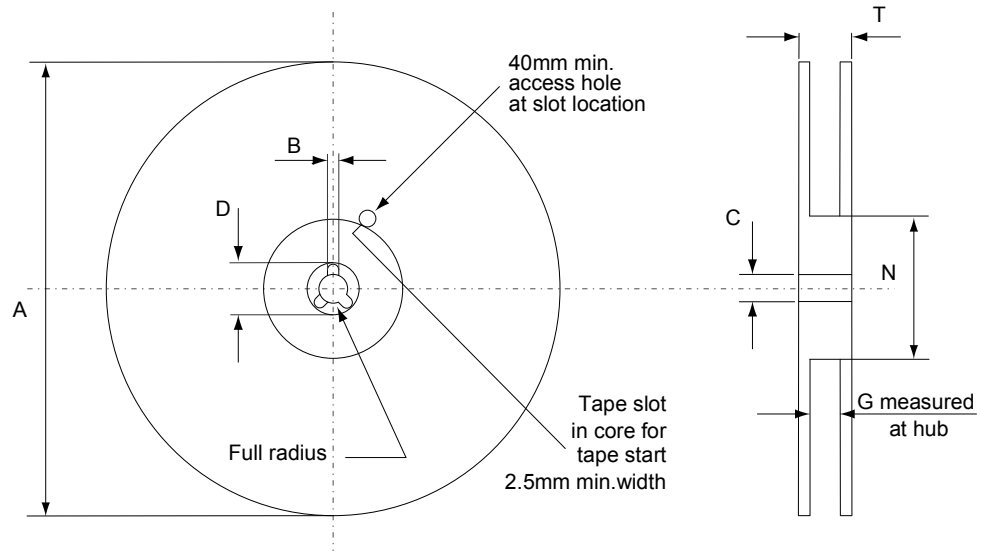
### 4.4 DPAK (TO-252) packing information

Figure 27. DPAK (TO-252) tape outline



AM08852v1

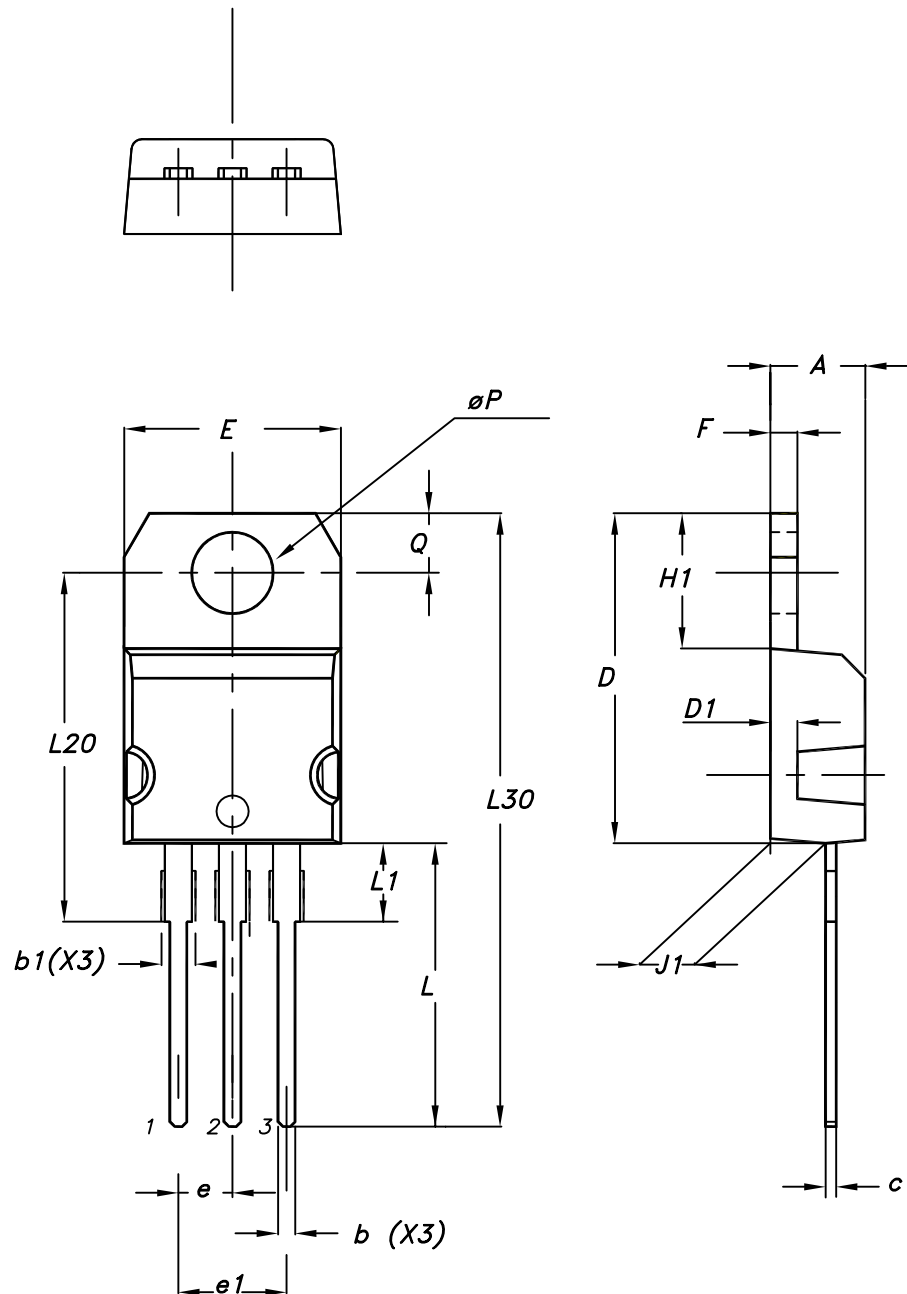


**Figure 28. DPAK (TO-252) reel outline**


AM06038v1

**Table 11. DPAK (TO-252) tape and reel mechanical data**

Tape			Reel		
Dim.	mm		Dim.	mm	
	Min.	Max.		Min.	Max.
A0	6.8	7	A		330
B0	10.4	10.6	B	1.5	
B1		12.1	C	12.8	13.2
D	1.5	1.6	D	20.2	
D1	1.5		G	16.4	18.4
E	1.65	1.85	N	50	
F	7.4	7.6	T		22.4
K0	2.55	2.75			
P0	3.9	4.1	Base qty.		2500
P1	7.9	8.1	Bulk qty.		2500
P2	1.9	2.1			
R	40				
T	0.25	0.35			
W	15.7	16.3			

**4.5 TO-220 type A package information**
**Figure 29. TO-220 type A package outline**


0015988\_typeA\_Rev\_21

**Table 12. TO-220 type A package mechanical data**

Dim.	mm		
	Min.	Typ.	Max.
A	4.40		4.60
b	0.61		0.88
b1	1.14		1.55
c	0.48		0.70
D	15.25		15.75
D1		1.27	
E	10.00		10.40
e	2.40		2.70
e1	4.95		5.15
F	1.23		1.32
H1	6.20		6.60
J1	2.40		2.72
L	13.00		14.00
L1	3.50		3.93
L20		16.40	
L30		28.90	
øP	3.75		3.85
Q	2.65		2.95

## 5 Ordering information

**Table 13. Order codes**

Order code	Marking	Package	Packing
STD18N55M5	18N55M5	DPAK	Tape and reel
STP18N55M5		TO-220	Tube

## Revision history

**Table 14. Document revision history**

Date	Version	Changes
09-Feb-2010	1	First release.
04-Mar-2011	2	<ul style="list-style-type: none"> <li>– Document status promoted from preliminary data to datasheet;</li> <li>– Added new package, mechanical data: D<sup>2</sup>PAK.</li> </ul>
22-Nov-2013	3	<ul style="list-style-type: none"> <li>– Updated: title on the cover page and RDS(on) values.</li> <li>– Modified: EAS value and note 3 in Table 2</li> <li>– Modified: RDS(on) value in Table 4, typical values in Table 5 and 7</li> <li>– Updated: the entire Table 5</li> <li>– Added: Section 2.1: Electrical characteristics (curves)</li> <li>– Updated: Section 4: Package mechanical data and Section 5: Packaging mechanical data</li> <li>– Updated: Figure 11 and 18</li> <li>– Minor text changes.</li> </ul>
03-Aug-2018	4	<p>The part numbers STB18N55M5 and STF18N55M5 have been moved to a separate datasheet.</p> <p>Removed maturity status indication from cover page. The document status is production data.</p> <p>Updated title in cover page, <a href="#">Section 1 Electrical ratings</a>, <a href="#">Section 2 Electrical characteristics</a> and <a href="#">Section 4 Package information</a>.</p> <p>Minor text changes.</p>

## Contents

<b>1</b>	<b>Electrical ratings</b> .....	<b>2</b>
<b>2</b>	<b>Electrical characteristics</b> .....	<b>3</b>
<b>2.1</b>	Electrical characteristics curves .....	5
<b>3</b>	<b>Test circuits</b> .....	<b>8</b>
<b>4</b>	<b>Package information</b> .....	<b>9</b>
<b>4.1</b>	DPAK (TO-252) type A2 package information .....	9
<b>4.2</b>	DPAK (TO-252) type C2 package information .....	11
<b>4.3</b>	DPAK (TO-252) type E package information .....	13
<b>4.4</b>	DPAK (TO-252) packing information .....	15
<b>4.5</b>	TO-220 type A package information .....	17
<b>5</b>	<b>Ordering information</b> .....	<b>20</b>
	<b>Revision history</b> .....	<b>21</b>

**IMPORTANT NOTICE – PLEASE READ CAREFULLY**

STMicroelectronics NV and its subsidiaries (“ST”) reserve the right to make changes, corrections, enhancements, modifications, and improvements to ST products and/or to this document at any time without notice. Purchasers should obtain the latest relevant information on ST products before placing orders. ST products are sold pursuant to ST’s terms and conditions of sale in place at the time of order acknowledgement.

Purchasers are solely responsible for the choice, selection, and use of ST products and ST assumes no liability for application assistance or the design of Purchasers’ products.

No license, express or implied, to any intellectual property right is granted by ST herein.

Resale of ST products with provisions different from the information set forth herein shall void any warranty granted by ST for such product.

ST and the ST logo are trademarks of ST. All other product or service names are the property of their respective owners.

Information in this document supersedes and replaces information previously supplied in any prior versions of this document.

© 2018 STMicroelectronics – All rights reserved

# Mouser Electronics

Authorized Distributor

Click to View Pricing, Inventory, Delivery & Lifecycle Information:

[STMicroelectronics:](#)

[STB18N55M5](#) [STD18N55M5](#) [STP18N55M5](#) [STF18N55M5](#)