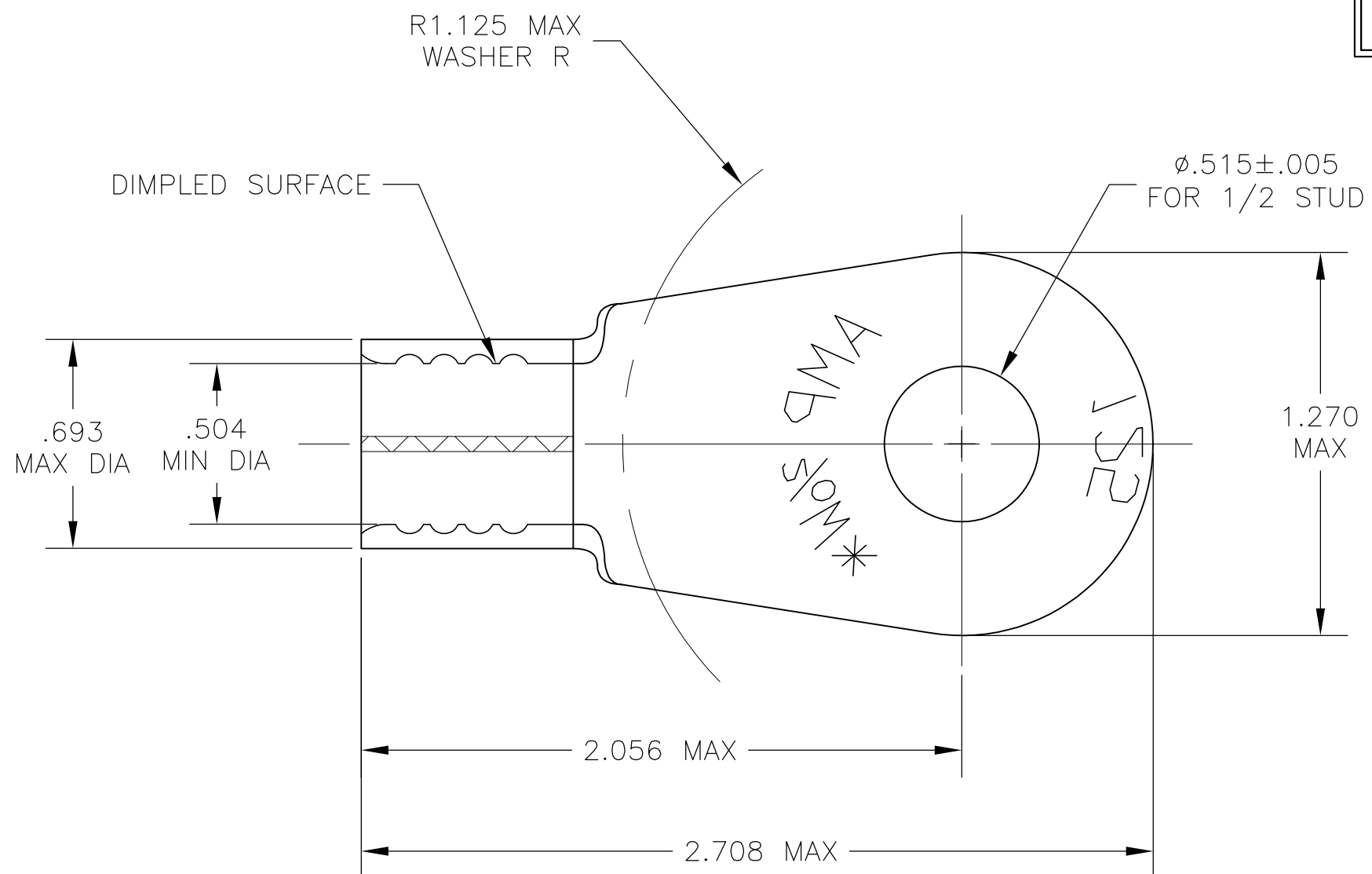


THIS DRAWING IS UNPUBLISHED. RELEASED FOR PUBLICATION
 © COPYRIGHT BY TYCO ELECTRONICS CORPORATION. ALL RIGHTS RESERVED.

LOC	DIST	REVISIONS					
G	14	P	LTR	DESCRIPTION	DATE	DWN	APVD
		D		REV PER ECR 10-000722	25JAN10	JR	MS

AMP WIRE RANGE	E13288 Listed	LR7189 Certified
2/0 AWG SOLID OR STRANDED	2/0 AWG STRANDED	2/0 AWG SOLID OR STRANDED



- 1 COPPER PER ASTM B-152, ANNEALED
- 2 TIN PLATE 0.00254 [.000100] MIN THK EXT. PER ASTM B-545
- 3 TONGUE MATERIAL THK IS .080 ± .003
- 4 MAX RECOMMENDED OPERATING TEMP IS 170°C.
- 5 WIRE CROSS SECTIONAL AREA RANGE: 60.6-76.3mm [119,500-150,500] CMA SOLID OR STRANDED.

50	LOOSE PIECE	322391-0
QTY	PACKAGE TYPE	PART NO

THIS DRAWING IS A CONTROLLED DOCUMENT.		DWN jr_ruth 07MAY04	Tyco Electronics Corporation Harrisburg, Pa 17105-3608 ABSOLETE NOT THE LATEST REVISION WIRE TERMINAL SOLISTRAND, RING TONGUE WIRE SIZ 2/0	
DIMENSIONS: INCHES		CHK MJ SPICER 07MAY04		
TOLERANCES UNLESS OTHERWISE SPECIFIED:		APVD MJ SPICER 07MAY04		
0 PLC ± - 1 PLC ± - 2 PLC ± - 3 PLC ± .008 4 PLC ± - ANGLES ± 5°		PRODUCT SPEC		
MATERIAL		FINISH	APPLICATION SPEC	RESTRICTED TO
- 1		- 2	WEIGHT	SCALE 2:1
CUSTOMER DRAWING		SIZE A3	CAGE CODE 00779	DRAWING NO C-322391
		SHEET 1 OF 1		REV D

Mouser Electronics

Authorized Distributor

Click to View Pricing, Inventory, Delivery & Lifecycle Information:

[TE Connectivity:](#)

[322391](#)