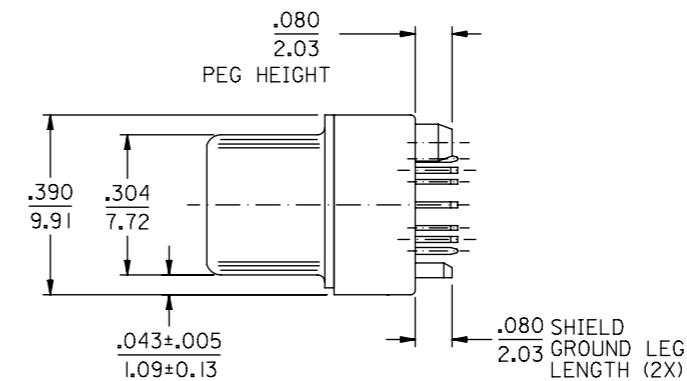
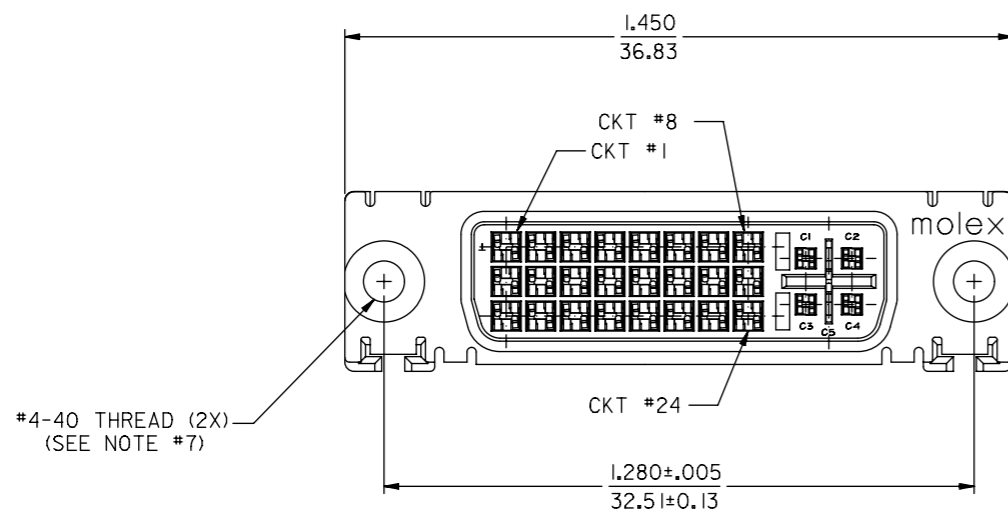


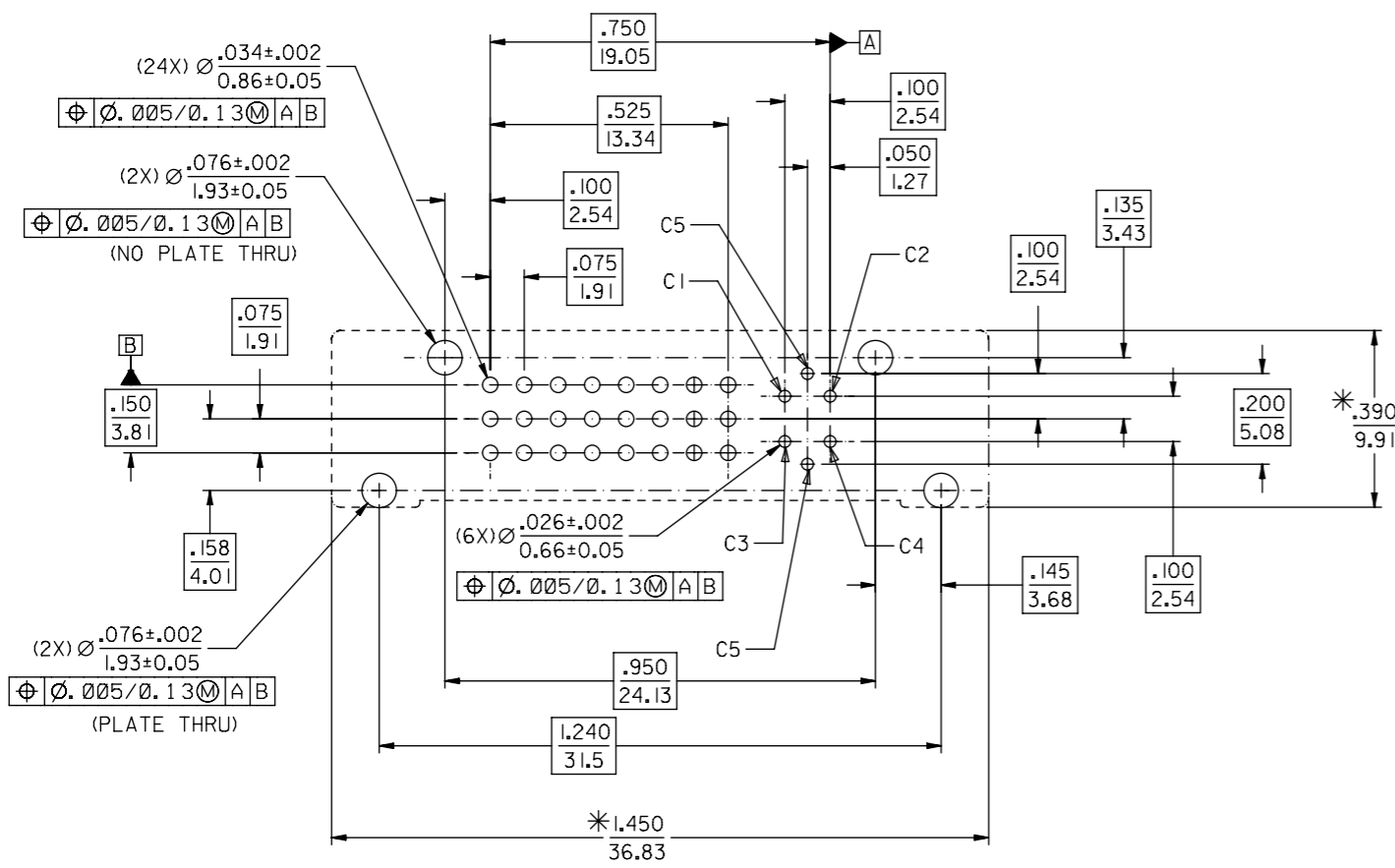
NOTES:

- MATERIAL:
SHIELD: DEEP DRAW STEEL;
HOUSING: LCP, UL94V-0, NATURAL (WHITE);
CONTACT: COPPER ALLOY.
- PLATING: SEE SHEET 2.
- PRODUCT CONFORMS TO MOLEX PRODUCT SPECIFICATION NUMBER PS-74320-001.
- SEE SHEET 2 FOR RECOMMENDED PANEL CUT-OUT AND P.C.B. LAYOUT.
- PARTS WILL BE PACKAGED IN TRAYS PER PK-74320-010.
- PRODUCT CONFORMS TO DDWG DVI SPECIFICATION. REFER TO THIS SPECIFICATION FOR CONNECTOR MATING DIMENSIONS.
- RECOMMENDED MOUNTING HARDWARE IS MOLEX P/N 71781-0001 OR 82007-0300 OR 88780-6066. REFER TO PRODUCT SPECIFICATION NUMBER PS-74320-001 FOR THIS APPLICATION TORQUE REQUIREMENT FOR ASSMBLING MOUNTING HARDWARE.



PART NUMBER	PLATING OPTION	DIM A
74320-3005	2	.050/1.27
74320-3004	2	.092/2.34
74320-3001	1	.050/1.27
74320-3000	1	.092/2.34

THIS DRAWING CONTAINS INFORMATION THAT IS PROPRIETARY TO MOLEX ELECTRONIC TECHNOLOGIES, LLC AND SHOULD NOT BE USED WITHOUT WRITTEN PERMISSION																																			
QUALITY SYMBOLS		CHANGE SHELL PLATING				GENERAL TOLERANCES (UNLESS SPECIFIED)		DIMENSION UNITS		SCALE																									
FA	= 0	2016/08/16		2016/08/15		ANGULAR TOL ± 1.0 °		INCH		1:1																									
FE	= 0	2016/08/15		2017/07/10		4 PLACES ± 0.01		DRWN BY		DATE																									
FP	= 0	2017/07/10				3 PLACES ± 0.01		XQZHANG		2014/12/10																									
FT	= 0					2 PLACES ± 0.01		CHK'D BY		DATE																									
FA	= 0					1 PLACE ±		XQZHANG		2014/12/09																									
FB	= 0					0 PLACES ±		APPR BY		DATE																									
FC	= 0					DRAFT WHERE APPLICABLE MUST REMAIN WITHIN DIMENSIONS		AYIN		2015/02/09																									
FD	= 0							DRAWING SIZE		THIRD ANGLE PROJECTION																									
FE	= 0							A3																											
FF	= 0																																		
FG	= 0																																		
<table border="1"> <tr> <td colspan="4">PRODUCT CUSTOMER DRAWING</td> </tr> <tr> <td>SERIES</td> <td>MATERIAL NUMBER</td> <td colspan="2">CUSTOMER</td> </tr> <tr> <td>74320</td> <td>SEE TABLE</td> <td colspan="2">GENERAL MARKET</td> </tr> <tr> <td colspan="2">DOCUMENT NUMBER</td> <td>DOC TYPE</td> <td>DOC PART</td> </tr> <tr> <td colspan="2">SD-74320-002</td> <td>PSD</td> <td>000</td> </tr> <tr> <td colspan="2">SHEET NUMBER</td> <td colspan="2">1 OF 2</td> </tr> </table>												PRODUCT CUSTOMER DRAWING				SERIES	MATERIAL NUMBER	CUSTOMER		74320	SEE TABLE	GENERAL MARKET		DOCUMENT NUMBER		DOC TYPE	DOC PART	SD-74320-002		PSD	000	SHEET NUMBER		1 OF 2	
PRODUCT CUSTOMER DRAWING																																			
SERIES	MATERIAL NUMBER	CUSTOMER																																	
74320	SEE TABLE	GENERAL MARKET																																	
DOCUMENT NUMBER		DOC TYPE	DOC PART																																
SD-74320-002		PSD	000																																
SHEET NUMBER		1 OF 2																																	
<table border="1"> <tr> <td>RELEASE STATUS</td> <td>RELEASE DATE</td> <td colspan="10"></td> </tr> </table>												RELEASE STATUS	RELEASE DATE																						
RELEASE STATUS	RELEASE DATE																																		

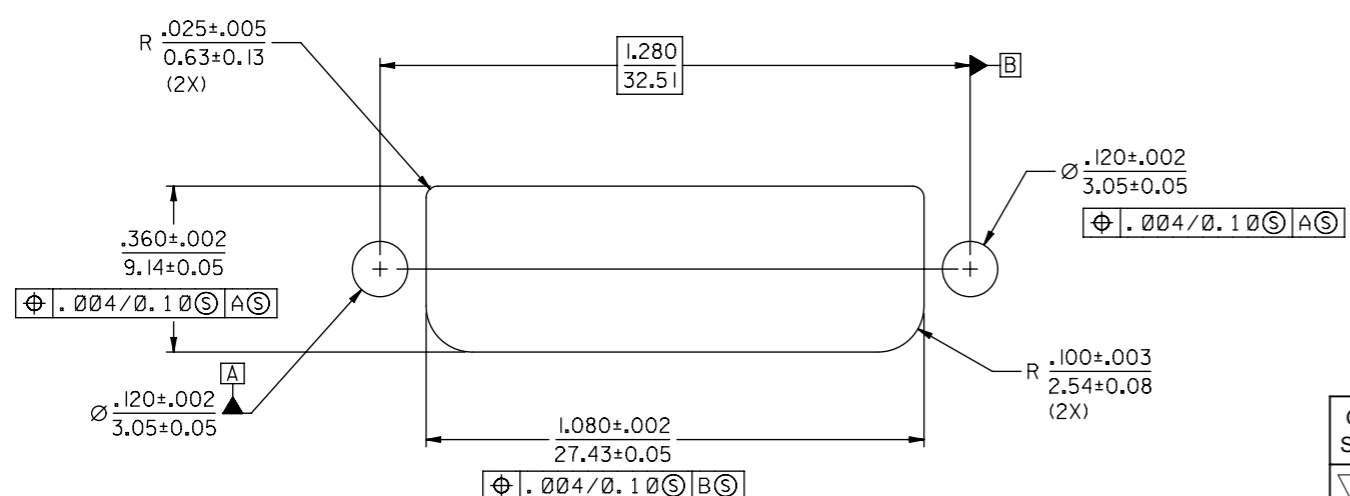


RECOMMENDED PCB LAYOUT

* THESE DIMENSIONS REPRESENT CONNECTOR OVERLAY ON PCB.

PLATING OPTIONS:
 PLATING OPTION #1:
 OUT SHIELD -- 60u"/(1.5um) MIN. SOLDERABLE NICKEL OVER
 30u"/(0.75um) MIN. COPPER OVERALL.
 .075"/(1.91mm) CONTACTS -- 30u"/(0.75um) MIN. SELECT GOLD AND
 100u"/(2.50um) MIN. SELECT PURE TIN
 OVER 50u"/(1.27um) MIN. NICKEL OVERALL.
 .100"/(2.54mm) CONTACTS -- 30u"/(0.75um) MIN. SELECT GOLD AND
 100u"/(2.50um) MIN. SELECT PURE TIN
 OVER 50u"/(1.27um) MIN. NICKEL OVERALL.

PLATING OPTION #2:
 OUT SHIELD -- 60u"/(1.5um) MIN. SOLDERABLE NICKEL OVER
 30u"/(0.75um) MIN. COPPER OVERALL.
 .075"/(1.91mm) CONTACTS -- SELECT GOLD FLASH AND
 100u"/(2.50um) MIN. SELECT PURE TIN
 OVER 50u"/(1.27um) MIN. NICKEL OVERALL.
 .100"/(2.54mm) CONTACTS -- SELECT GOLD FLASH AND
 100u"/(2.50um) MIN. SELECT PURE TIN
 OVER 50u"/(1.27um) MIN. NICKEL OVERALL.



RECOMMENDED PANEL CUT-OUT
 PANEL THICKNESS: .030/0.76-.040/1.02

THIS DRAWING CONTAINS INFORMATION THAT IS PROPRIETARY TO MOLEX ELECTRONIC TECHNOLOGIES, LLC AND SHOULD NOT BE USED WITHOUT WRITTEN PERMISSION											
QUALITY SYMBOLS FA = 0 FE = 0 FB = 0 VA = 0 VC = 0 X = 0 Y = 0 Z = 0	CHANGE SHELL PLATING EC NO: 118825 DRWN: XQZHANG CHK'D: XQZHANG APPR: AYIN	GENERAL TOLERANCES (UNLESS SPECIFIED)		DIMENSION UNITS	SCALE						
		ANGULAR TOL ± 1.0 °		INCH	1:1						
		4 PLACES ± 0.01	DRWN BY		DATE		DVI - INTERGRATED VERTICAL, RECEPTACLE CONNECTOR				
		3 PLACES ± 0.01	XQZHANG		2014/12/10						
		2 PLACES ± 0.01	CHK'D BY		DATE		PRODUCT CUSTOMER DRAWING				
		1 PLACE ±	XQZHANG		2014/12/09						
		0 PLACES ±	APPR BY		DATE		SERIES MATERIAL NUMBER CUSTOMER 74320 SEE TABLE GENERAL MARKET				
		DRAFT WHERE APPLICABLE MUST REMAIN WITHIN DIMENSIONS		AYIN		2015/02/09					
				DRAWING SIZE	THIRD ANGLE PROJECTION			DOCUMENT NUMBER DOC TYPE DOC PART SHEET NUMBER SD-74320-002 PSD 000 2 OF 2			
				A3							

RELEASE STATUS	RELEASE DATE
----------------	--------------