

AMPHENOL PART NUMBER CONFIGURATION

U 9 5 - Z 1 0 5 - X X X 1 - X X 1

CAGE & CONNECTOR CONTACT PLATING

4 = 0.76 µm MIN. GOLD OVER 1.27-3.81 µm OF NICKEL ON MATING AREA
 0.381-1.52 µm OF MATTE TIN OVER 1.27-3.81 µm OF NICKEL ON PRESS FIT TAIL AREA.
 Ni PLATING FOR CAGE
 (RoHS COMPLIANT PER RoHS DIRECTIVE 2011/65/EU)

OPTIONAL DUST COVER

0 = WITHOUT DUST COVER
 D = WITH DUST COVER

VENT HOLES AND EMI COVER

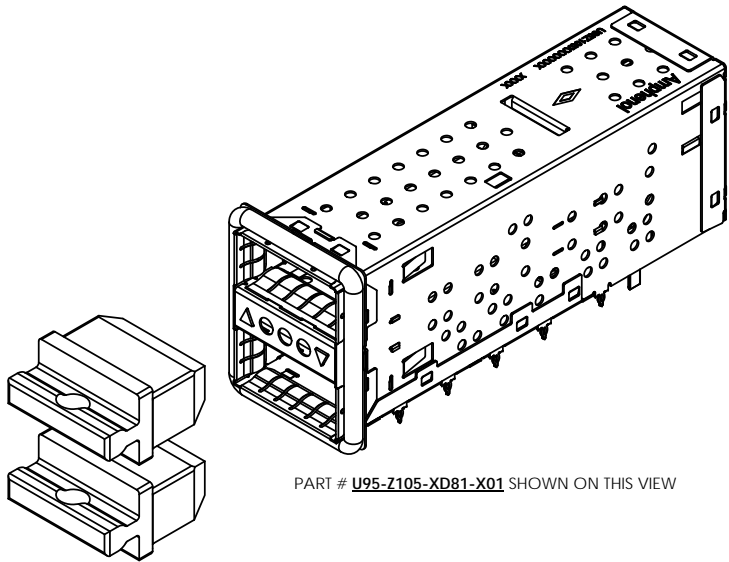
0 = WITH LARGE VENT HOLES & WITH EMI COVER
 2 = WITH SMALL VENT HOLES & WITH EMI COVER
 4 = WITH RECTANGULAR VENT HOLES & WITH EMI COVER

EMI GASKET

1 = CHOMERICS 1273 CONDUCTIVE ELASTOMER
 2 = CHOMERICS S6305 CONDUCTIVE ELASTOMER

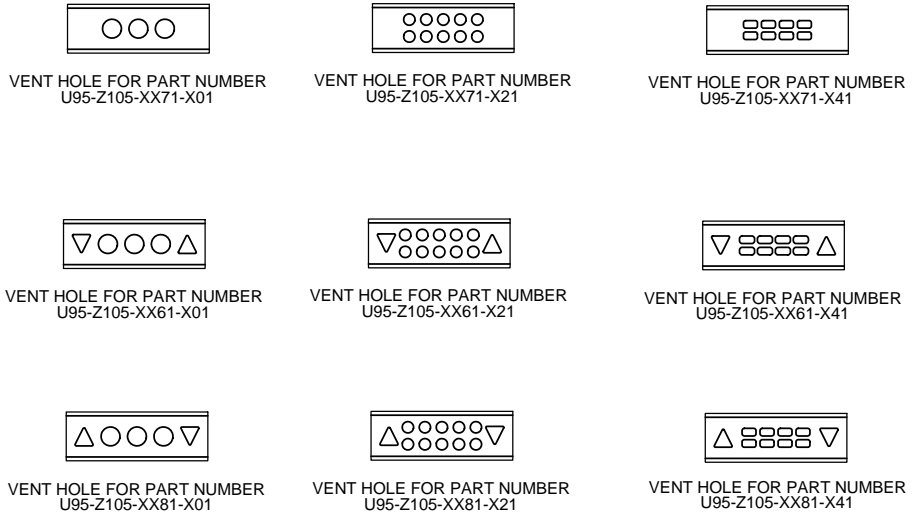
OPTIONAL LIGHT PIPES

6 = WITH LIGHT PIPE (TRIANGULAR OUTLET)
 LEFT ARROW POINTING BOTTOM PORT &
 RIGHT ARROW POINTING TOP PORT
 7 = WITHOUT LIGHT PIPE
 8 = WITH LIGHT PIPE (REVERSED DIRECTION)
 LEFT ARROW POINTING TOP PORT &
 RIGHT ARROW POINTING BOTTOM PORT



PART # U95-Z105-XD81-X01 SHOWN ON THIS VIEW

REVISIONS			
REV	DESCRIPTION, ECN, EAR NO.	DATE	APPD
A	PROPOSAL DRAWING	APR 18/13	ZLJ
B	Remove Non-RoHS & No EMI Cover Option	JUN 7/13	ZLJ



NOTES:

- MATERIAL
 CAGE-PRESS FIT: COPPER ALLOY, NICKEL PLATED
 CONNECTOR-PRESS FIT: PLASTIC HOUSING, FLAMMABILITY RATING UL94 V-0.
 CONTACTS: PHOSPHOR BRONZE
 PLATING OPTION: SEE AMPHENOL PART NO CONFIGURATION
 EMI GASKET: CONDUCTIVE ELASTOMER
 LIGHT PIPE: GE LEXAN, OPTICAL GRADE

THIS DOCUMENT CONTAINS PROPRIETARY INFORMATION AND SUCH INFORMATION MAY NOT BE DISCLOSED TO OTHERS FOR ANY PURPOSE OR USED FOR MANUFACTURING PURPOSES WITHOUT WRITTEN PERMISSION FROM AMPHENOL CANADA CORP.

UNLESS SPECIFIED OTHERWISE	DRAWN ALVIN C.	APR.18/13
PRIMARY UNITS MILLIMETERS	CHECKED ZLATAN L.	APR.18/13
SECONDARY MILLIMETERS	M.E. APPD	
REFERENCE IN PARENTHESES	Q.A. APPD	
GENERAL TOLERANCES	DWG APPR.	
1. DECIMAL PLACE 0.X ±0.25	ENG. REL. NO.	
2. DECIMAL PLACES 0.XX ±0.15	REF.	
3. ANGULAR DEGREES X* ±1*	THIRD ANGLE PROJECTION	DO NOT SCALE DRAWING
4. ANGULAR DEGREES X.X* ±0.5*		

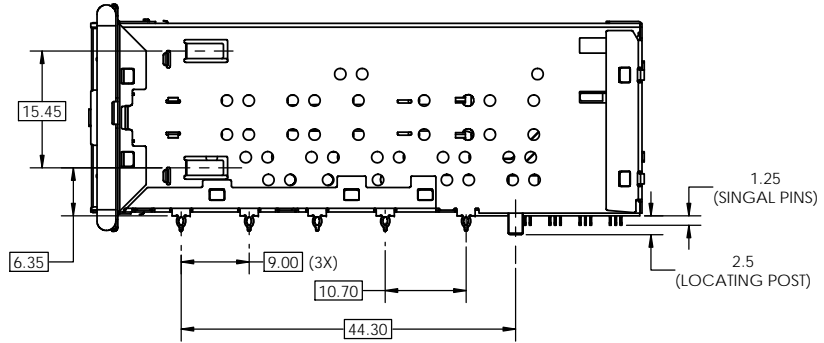
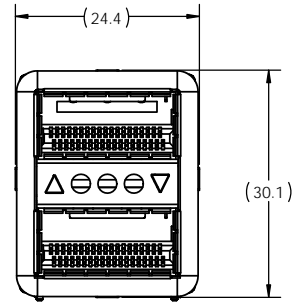
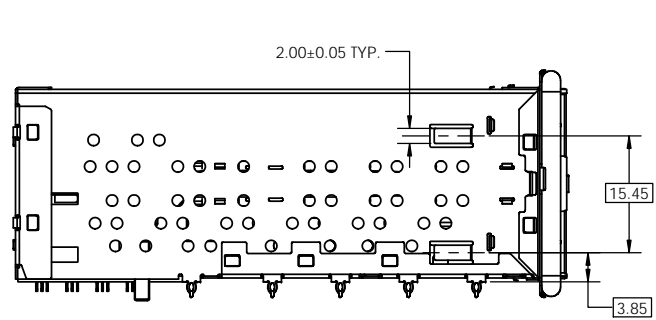
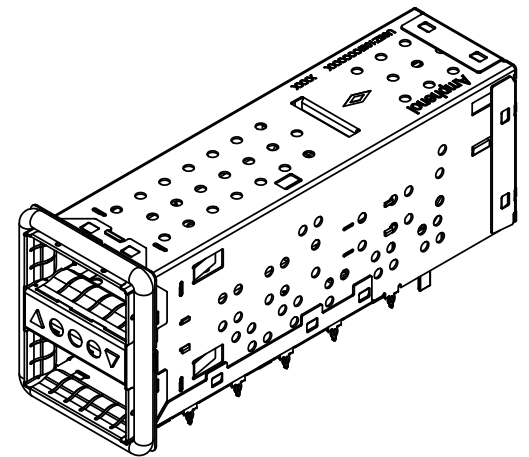
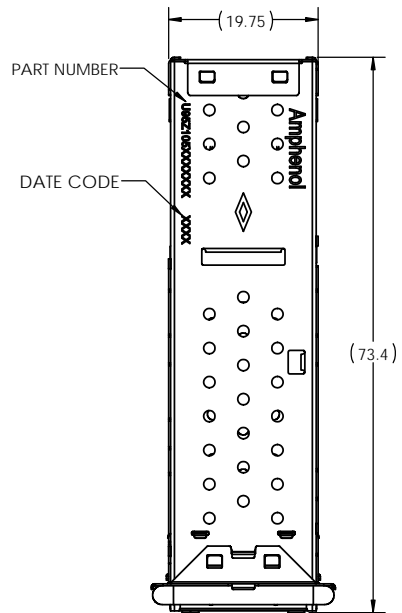
Amphenol High Speed Interconnects
 A Division of Amphenol Corp. www.amphenol-highspeed.com

QSFP+ 2X1 STACKED COMBO CONDUCTIVE ELASTOMERIC GASKET 4X25

DWG. NO. **P-U95-Z105-XXX1-XX1** REV **B**

CODE ID NO. 03554 | DWG SIZE: X | SCALE: 2:1 | SHEET 1 OF 4

REVISIONS			
REV	DESCRIPTION, ECG, EAR NO.	DATE	APP'D
B	SEE PAGE 1	JUN 7/13	ZLJ



PART: # **U95-Z105-X081-X11** SHOWN ON THIS SHEET

UNLESS SPECIFIED OTHERWISE	DRAWN	ALVIN C.	APR.18/13
PRIMARY UNITS MILLIMETERS	CHECKED	ZLATAN L.	APR.18/13
SECONDARY MILLIMETERS	M.E. APP'D		
REFERENCE IN PARENTHESES	Q.A. APP'D		
GENERAL TOLERANCES	DWG APPR.		
1. DECIMAL PLACE 0.X ±0.25	ENG. REL. NO.		
2. DECIMAL PLACES 0.XX ±0.15	REF.		
3. ANGULAR DEGREES X* ±1*	THIRD ANGLE PROJECTION		
4. ANGULAR DEGREES X.X* ±0.5*	DO NOT SCALE DRAWING		

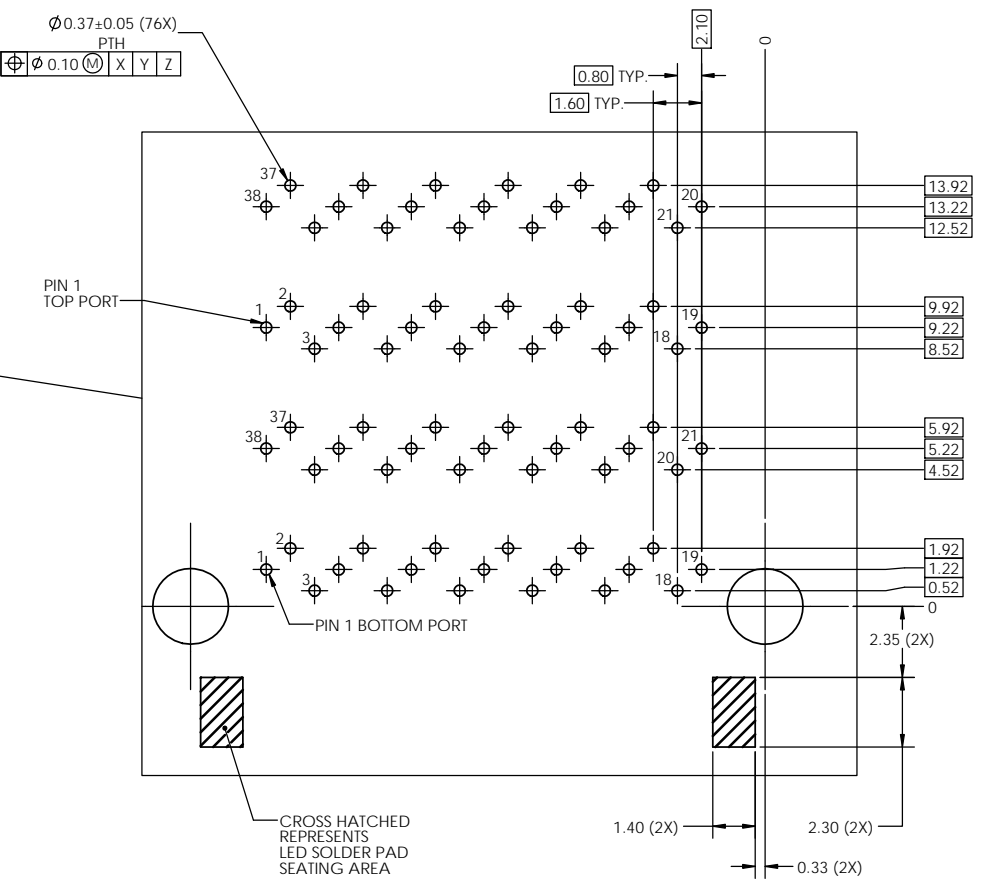
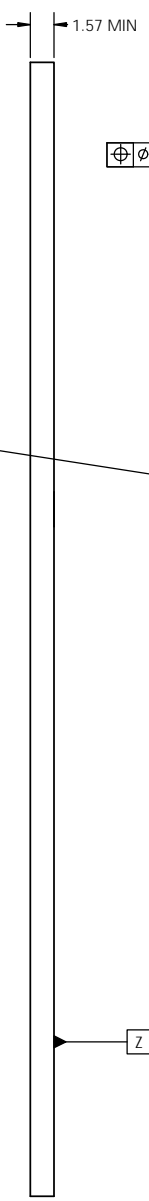
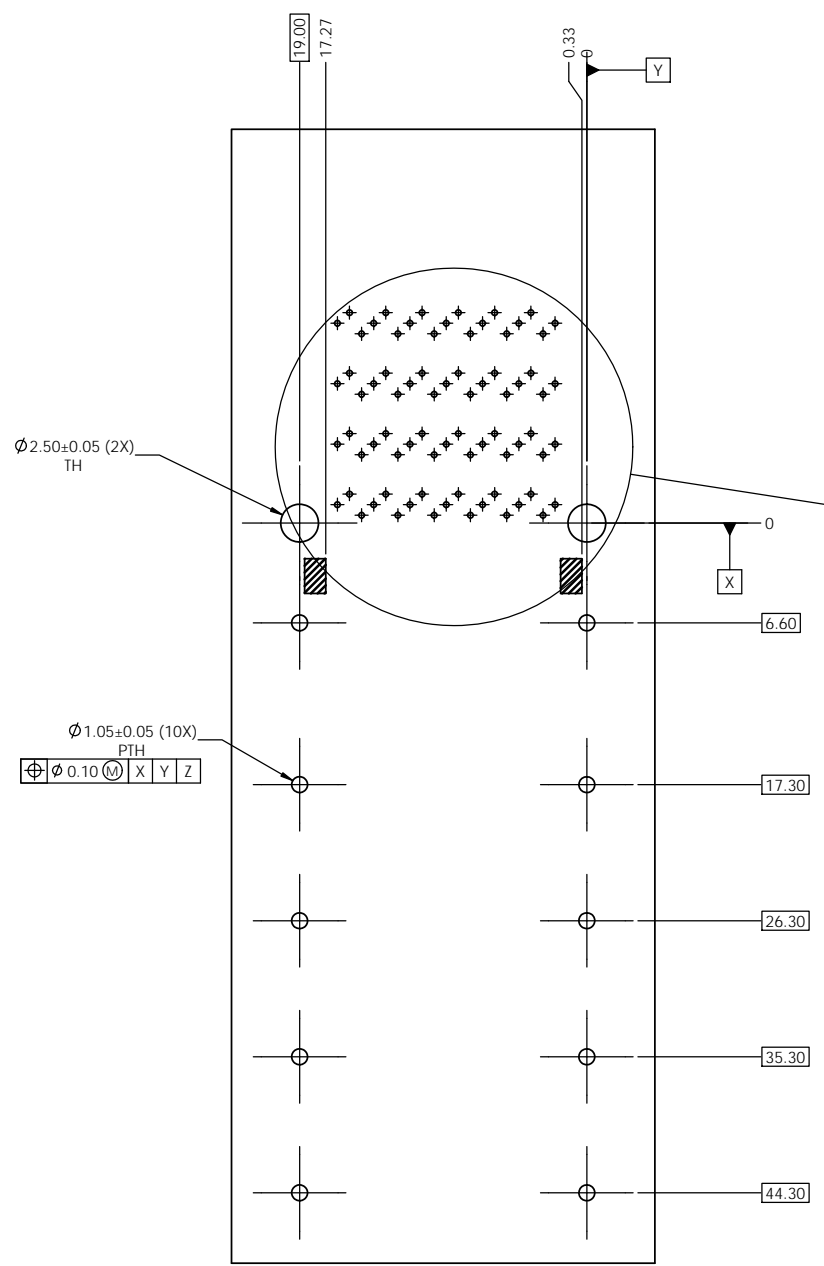
Amphenol High Speed Interconnects
A Division of Amphenol Corp. www.amphenol-highspeed.com

QSFP+ 2X1 STACKED COMBO CONDUCTIVE ELASTOMERIC GASKET 4X25

DWG. NO. **P-U95-Z105-XXX1-XX1** REV **B**

CODE ID NO. 03554 DWG SIZE: X SCALE: 2:1 SHEET 2 OF 4

REVISIONS			
REV	DESCRIPTION, ECN, EAR NO.	DATE	APP'D
B	SEE PAGE 1	JUN 7/13	ZLJ



DETAIL A
SCALE 8 : 1

RECOMMENDED PCB BOARD LAYOUT
COMPONENT SIDE SHOWN

UNLESS SPECIFIED OTHERWISE		DRAWN	ALVIN C.	APR.18/13
PRIMARY UNITS	MILLIMETERS	CHECKED	ZLATAN L.	APR.18/13
SECONDARY	MILLIMETERS	M.E. APP'D		
REFERENCE IN PARENTHESES		Q.A. APP'D		
GENERAL TOLERANCES		DWG APPR.		
1. DECIMAL PLACE	0.X ±0.25	ENG. REL. NO.		
2. DECIMAL PLACES	0.XX ±0.15	REF.		
3. ANGULAR DEGREES	X* ±1*	THIRD ANGLE PROJECTION		
4. ANGULAR DEGREES	X.X* ±0.5*	DO NOT SCALE DRAWING		

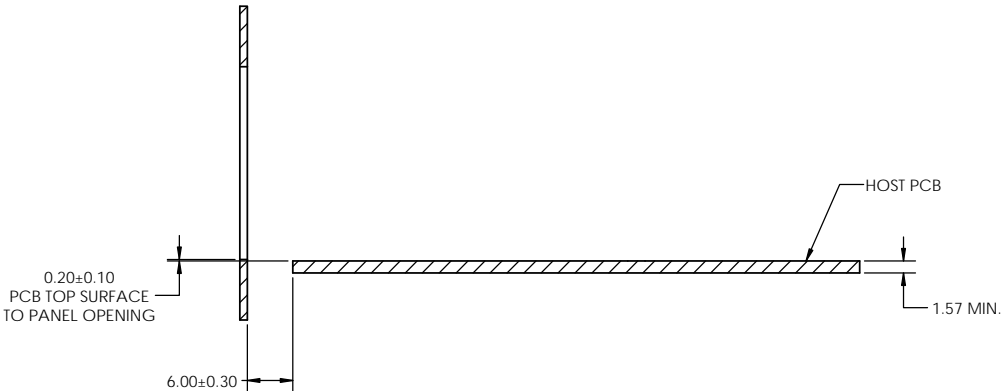
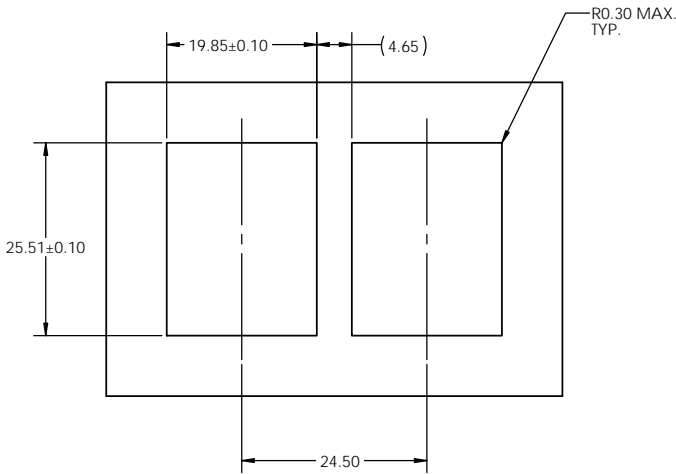
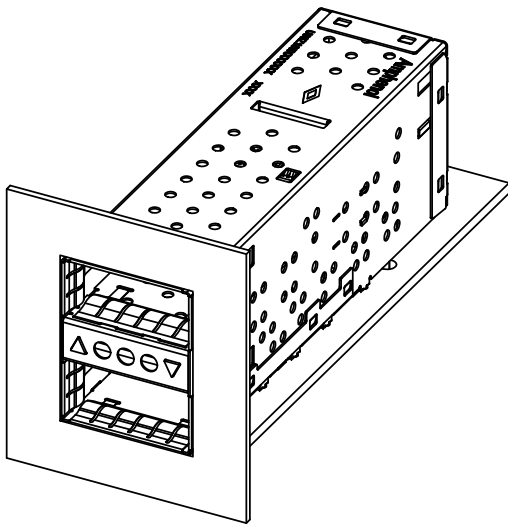
Amphenol High Speed Interconnects
A Division of Amphenol Corp. www.amphenol-highspeed.com

**QSFP+ 2X1 STACKED COMBO
CONDUCTIVE ELASTOMERIC GASKET
4X25**

DWG. NO. **P-U95-Z105-XXX1-XX1** REV **B**

CODE ID NO. 03554 DWG SIZE: X SCALE: 2:1 SHEET 3 OF 4

REVISIONS			
REV	DESCRIPTION, ECN, EAR NO.	DATE	APP'D
B	SEE PAGE 1	JUN 7/13	ZLJ



THIS DOCUMENT CONTAINS PROPRIETARY INFORMATION AND SUCH INFORMATION MAY NOT BE DISCLOSED TO OTHERS FOR ANY PURPOSE OR USED FOR MANUFACTURING PURPOSES WITHOUT WRITTEN PERMISSION FROM AMPHENOL CANADA CORP.

UNLESS SPECIFIED OTHERWISE	DRAWN	ALVIN C.	APR.18/13
PRIMARY UNITS MILLIMETERS	CHECKED	ZLATAN L.	APR.18/13
SECONDARY MILLIMETERS	M.E. APP'D		
REFERENCE IN PARENTHESES	Q.A. APP'D		
GENERAL TOLERANCES	DWG APP'R.		
1. DECIMAL PLACE 0.X ±0.25	ENG. REL. NO.		
2. DECIMAL PLACES 0.XX ±0.15	REF.		
3. ANGULAR DEGREES X° ±1°	THIRD ANGLE PROJECTION		
4. ANGULAR DEGREES X.X° ±0.5°	DO NOT SCALE DRAWING		

Amphenol High Speed Interconnects
A Division of Amphenol Corp. www.amphenol-highspeed.com

QSFP+ 2X1 STACKED COMBO CONDUCTIVE ELASTOMERIC GASKET 4X25

DWG. NO. **P-U95-Z105-XXX1-XX1** REV **B**

CODE ID NO. 03554 DWG SIZE: X SCALE: 2:1 SHEET 4 OF 4

Mouser Electronics

Authorized Distributor

Click to View Pricing, Inventory, Delivery & Lifecycle Information:

[Amphenol:](#)

[U95-Z105-4081-141](#) [U95-Z305-4071-141](#) [U95-Z205-4071-141](#) [U95-Z305-4081-141](#) [U95-Z105-4071-141](#) [U95-Z205-4081-141](#)