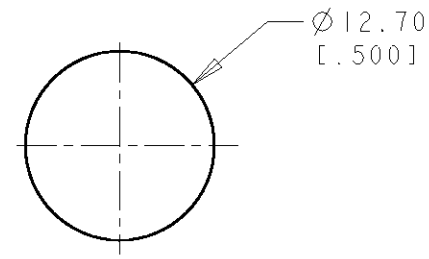


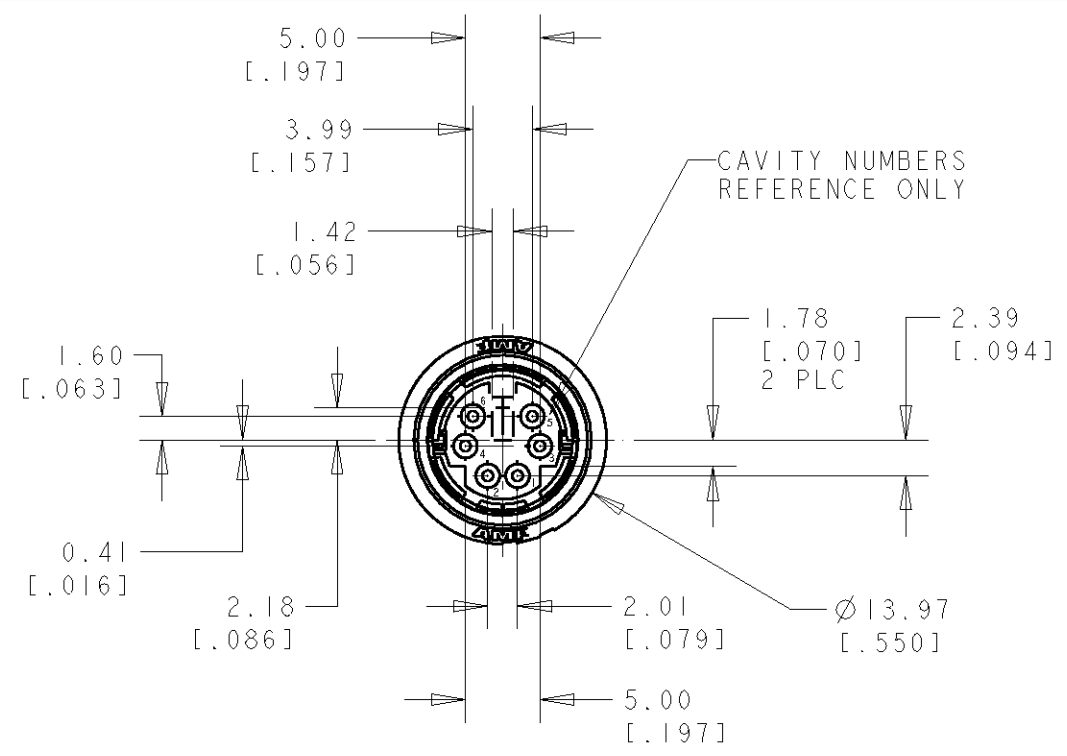
THIS DRAWING IS UNPUBLISHED. RELEASED FOR PUBLICATION .19  
 © COPYRIGHT 19 BY AMP INCORPORATED. ALL RIGHTS RESERVED.

LOC	DIST	REVISIONS					
		P	LTR	DESCRIPTION	DATE	DWN	APVD
DY	-	0		NPR ECR-05-008266	21JUN05	LWY	SYJ

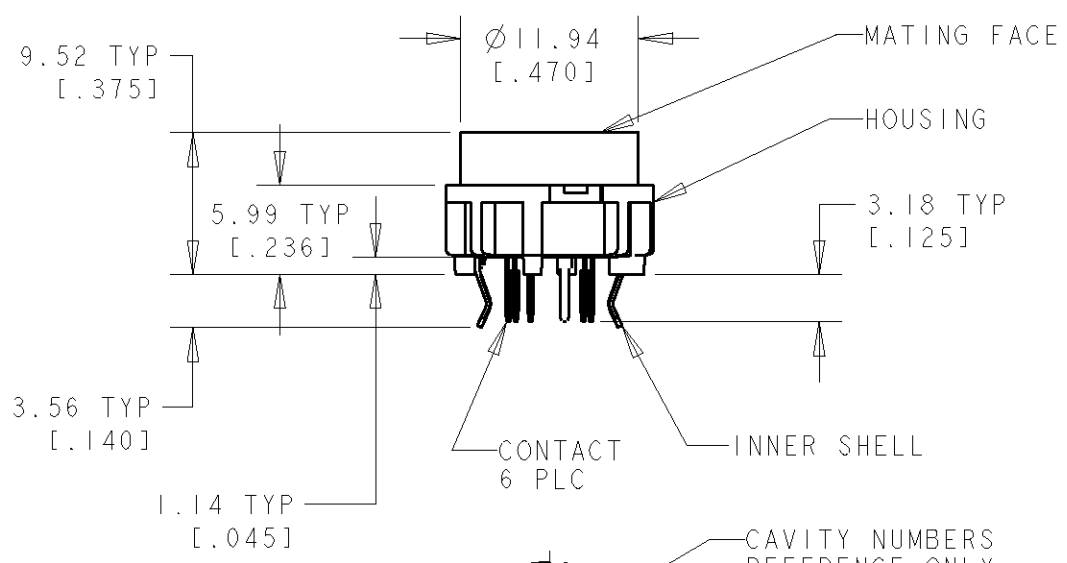
- NOTES:
- 1 SHELLS: BRASS  
CONTACTS: PHOSPHOR BRONZE  
HOUSING: POLYESTER, UL 94V-0 RATED, BLACK
  - 2 0.76um [.000030] MIN GOLD ON MATING END FOR A LENGTH OF 1.37[.054] MIN ON INSIDE, 2.540um [.000100] MIN TIN FOR A LENGTH OF 3.30um [.130] MIN FROM OPPOSITE END, ALL OVER 1.27um [.000050] MIN NICKEL.
  - 3 0.38um [.000015] MIN GOLD ON MATING END FOR A LENGTH OF 1.37[.054] MIN ON INSIDE, 2.540um [.000100] MIN TIN FOR A LENGTH OF 3.30um [.130] MIN FROM OPPOSITE END, ALL OVER 1.27um [.000050] MIN NICKEL.
  - 4 2.54um [.000100] MIN TIN OVER 1.27um [.000050] MIN COPPER
  - 5. RECEPTACLE ASSEMBLY MATES WITH 6 PIN, Ø8.99±0.10 [.354±.004] PLUG.



RECOMMENDED PANEL CUT-OUT



CAVITY NUMBERS  
REFERENCE ONLY

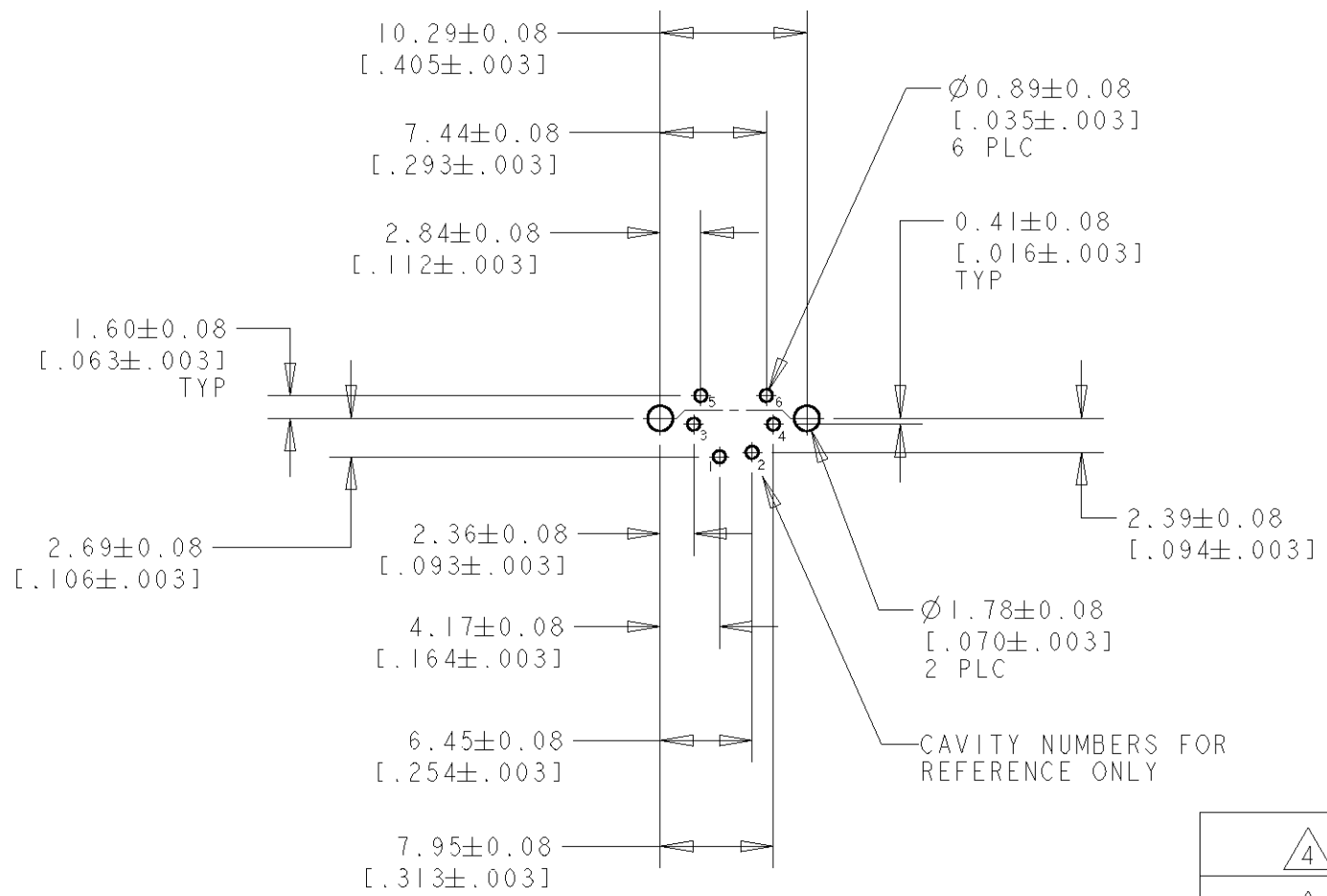


MATING FACE

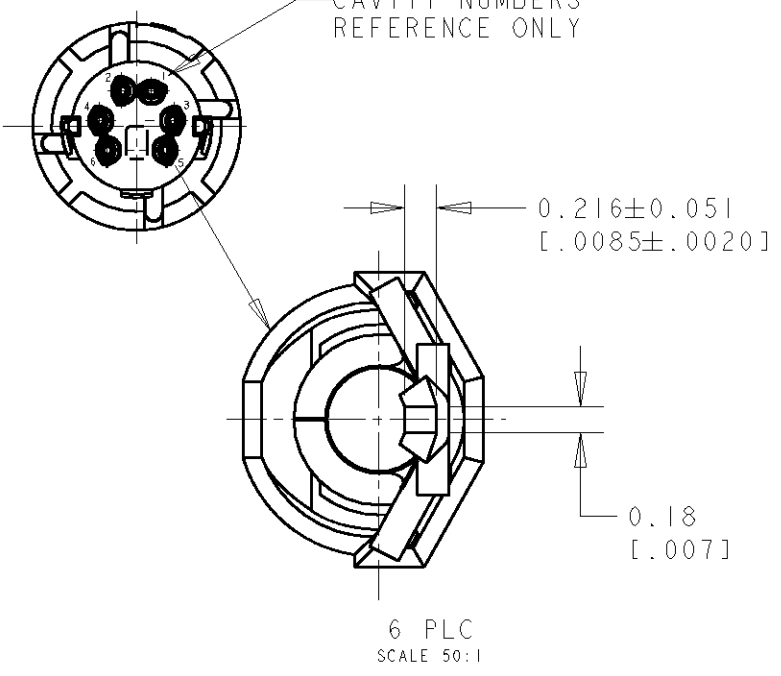
HOUSING

INNER SHELL

CAVITY NUMBERS  
REFERENCE ONLY



RECOMMENDED PC BOARD LAYOUT  
BOTTOM VIEW



6 PLC  
SCALE 50:1

4	2	5750327-2
4	3	5750327-1
INNER SHELL FINISH	CONTACT FINISH	PART NO.

THIS DRAWING IS A CONTROLLED DOCUMENT FOR AMP INCORPORATED. IT IS SUBJECT TO CHANGE AND THE CONTROLLING ENGINEERING ORGANIZATION SHOULD BE CONTACTED FOR THE LATEST REVISION.		DWN WYLEE 21JUN2005	<b>tyco</b> Tyco Electronics Singapore Pte. Ltd.	
DIMENSIONS: mm [INCHES]		CHK YJ SEE	NAME RECEPTACLE ASSEMBLY, 6 POSN, LOW FLANGE, UNSHIELDED, VERTICAL, MINIATURE CIRCULAR DIN, LF	
TOLERANCES UNLESS OTHERWISE SPECIFIED:		APVD SF LEONG	SIZE A3 CAGE CODE 00779 DRAWING NO 5750327	
0 PLC ± -		PRODUCT SPEC -	SCALE 10: SHEET 1 OF 1 REV 0	
1 PLC ± -		APPLICATION SPEC -		
2 PLC ± 0.13 [.005]		WEIGHT -		
3 PLC ± -		CUSTOMER DRAWING		
4 PLC ± -				
ANGLES ± -				
FINISH SEE TABLE				

# Mouser Electronics

Authorized Distributor

Click to View Pricing, Inventory, Delivery & Lifecycle Information:

[TE Connectivity:](#)

[5750327-1](#)