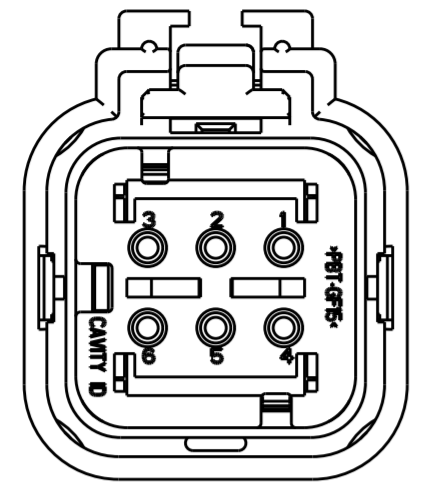
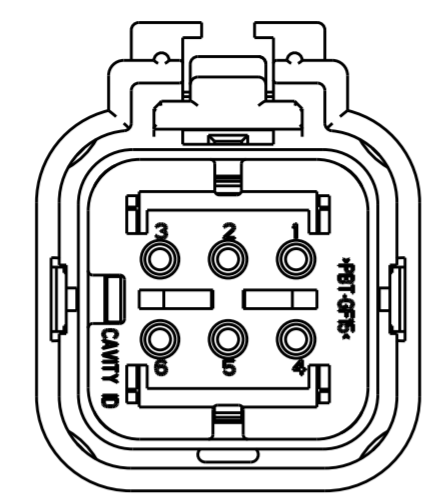


THIS DRAWING IS UNPUBLISHED. RELEASED FOR PUBLICATION 20  
 © COPYRIGHT 20 BY - ALL RIGHTS RESERVED.

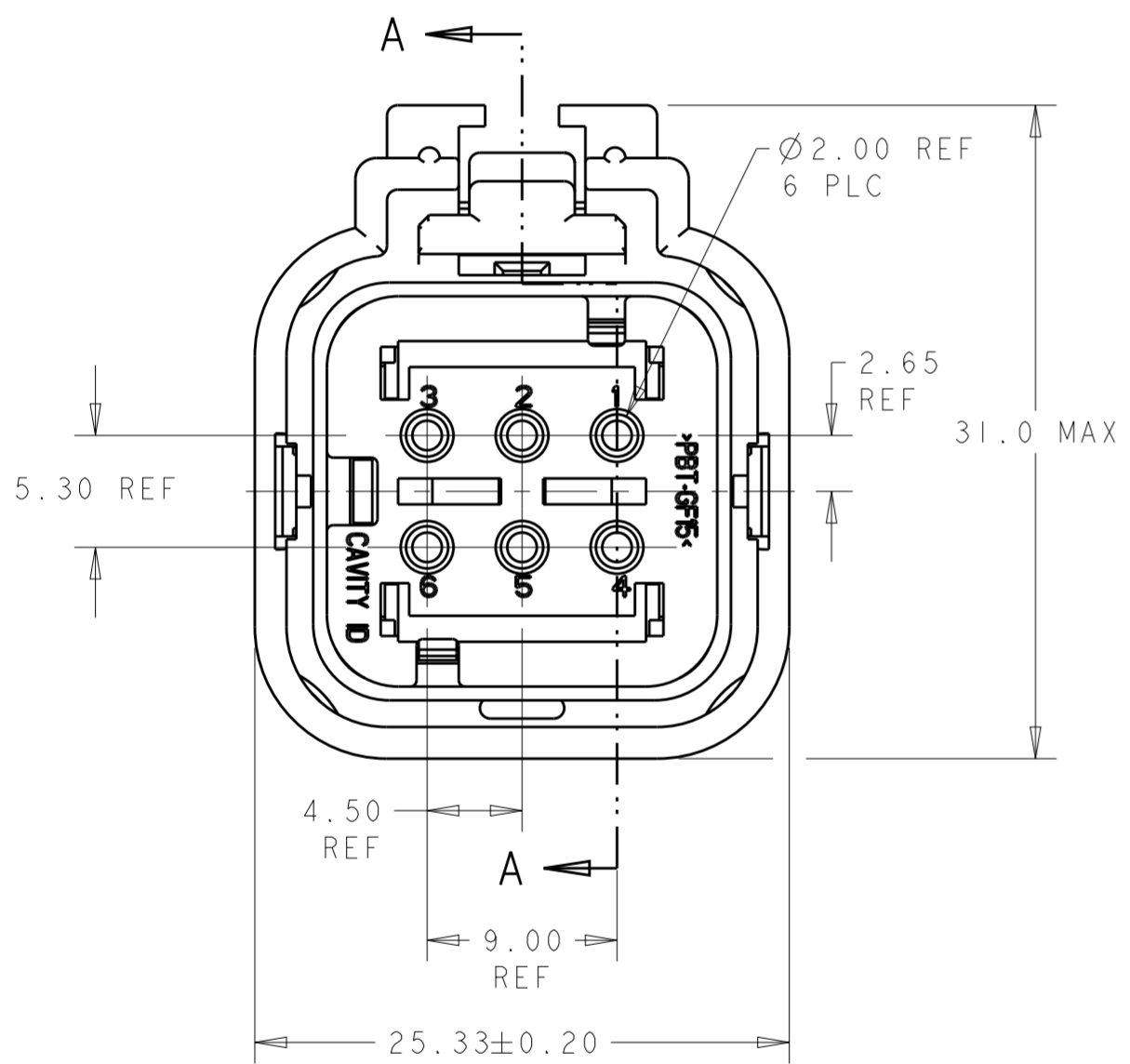
REVISIONS				
P	LTR	DESCRIPTION	DATE	APVD
E	I	REVISED PER ECO-11-005030	26APR2011	RK HMR
F	F	REVISED PER ECO-13-019168	05DEC2013	DR RB



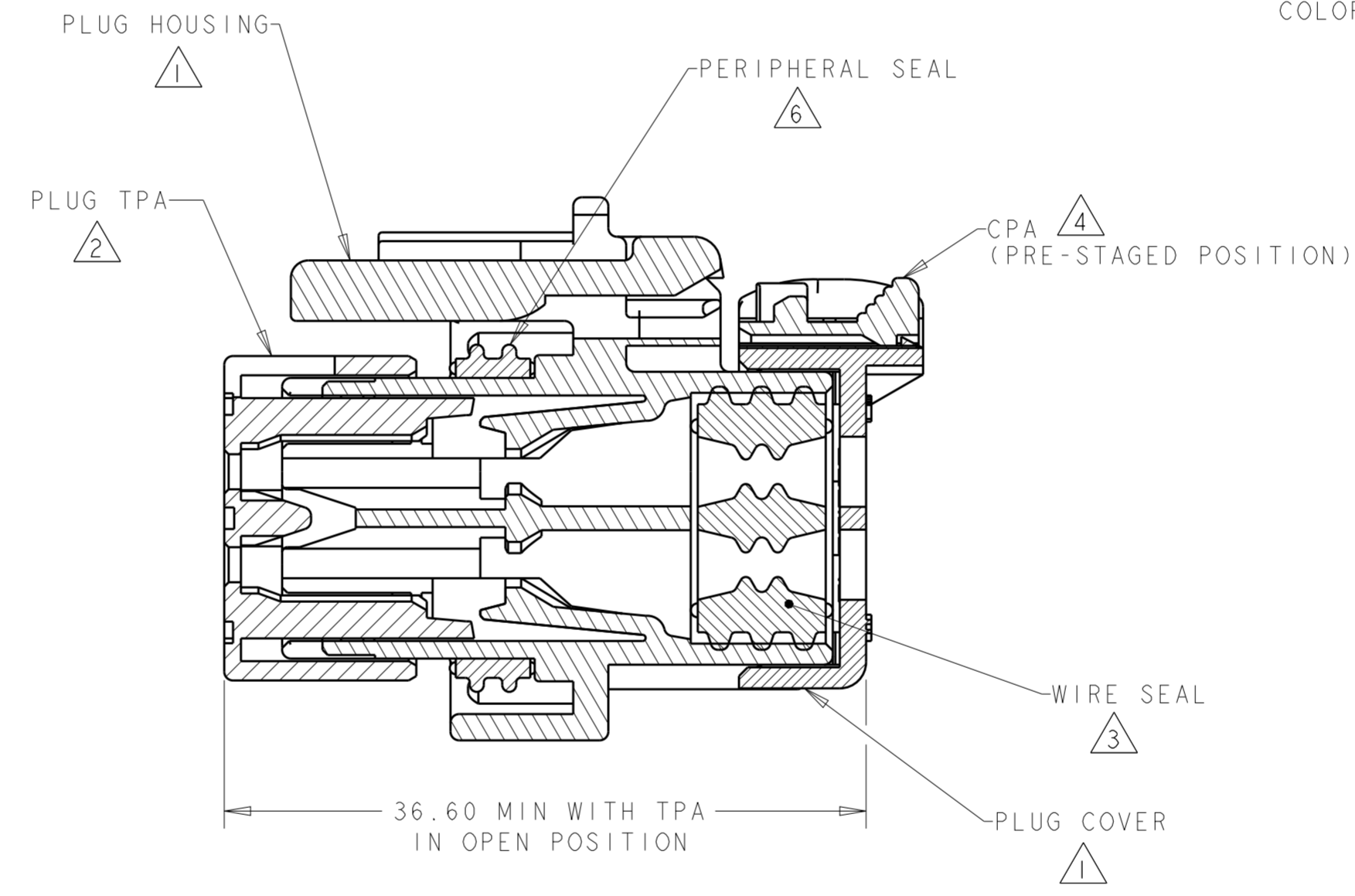
776433-2  
SCALE: 2:1



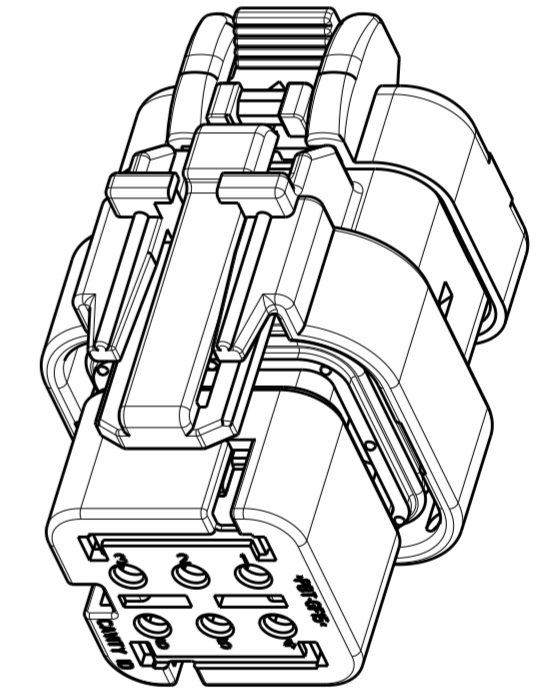
776433-3  
SCALE: 2:1



776433-1 SHOWN



SECTION A-A



SCALE 2:1

- 1 MATERIAL: 15% GLASS FILLED THERMOPLASTIC  
COLOR: BLACK
- 2 MATERIAL: 15% GLASS FILLED THERMOPLASTIC  
COLOR: (SEE TABLE)
- 3 MATERIAL: SILICONE  
COLOR: MARINE BLUE
- 4 MATERIAL: 15% GLASS FILLED THERMOPLASTIC  
COLOR: RED
- 5. RECOMMENDED WIRE DIAMETER RANGE IS 2.18 TO 3.67mm
- 6 MATERIAL: SILICONE  
COLOR: BLUE

YELLOW	776433-3
GRAY	776433-2
RED	776433-1
TPA COLOR	PART NUMBER

THIS DRAWING IS A CONTROLLED DOCUMENT.		DWN AJ GRAFF 13JUN00	TE Connectivity			
DIMENSIONS:		CHK R GREINER 03JAN02				
TOLERANCES UNLESS OTHERWISE SPECIFIED:		APVD M TRULLI 03JAN02				
mm		PRODUCT SPEC 108-2184				
		APPLICATION SPEC 114-13065	NAME PLUG ASSEMBLY, 6 POSITION, DUAL ROW, AMPSEAL 16			
MATERIAL	-	WEIGHT 14±1g	SIZE A2	CAGE CODE -	DRAWING NO G-776433	RESTRICTED TO -
Customer Drawing			SCALE 2:1	SHEET 1	OF 1	REV F

# Mouser Electronics

Authorized Distributor

Click to View Pricing, Inventory, Delivery & Lifecycle Information:

[TE Connectivity:](#)

[776433-3](#)