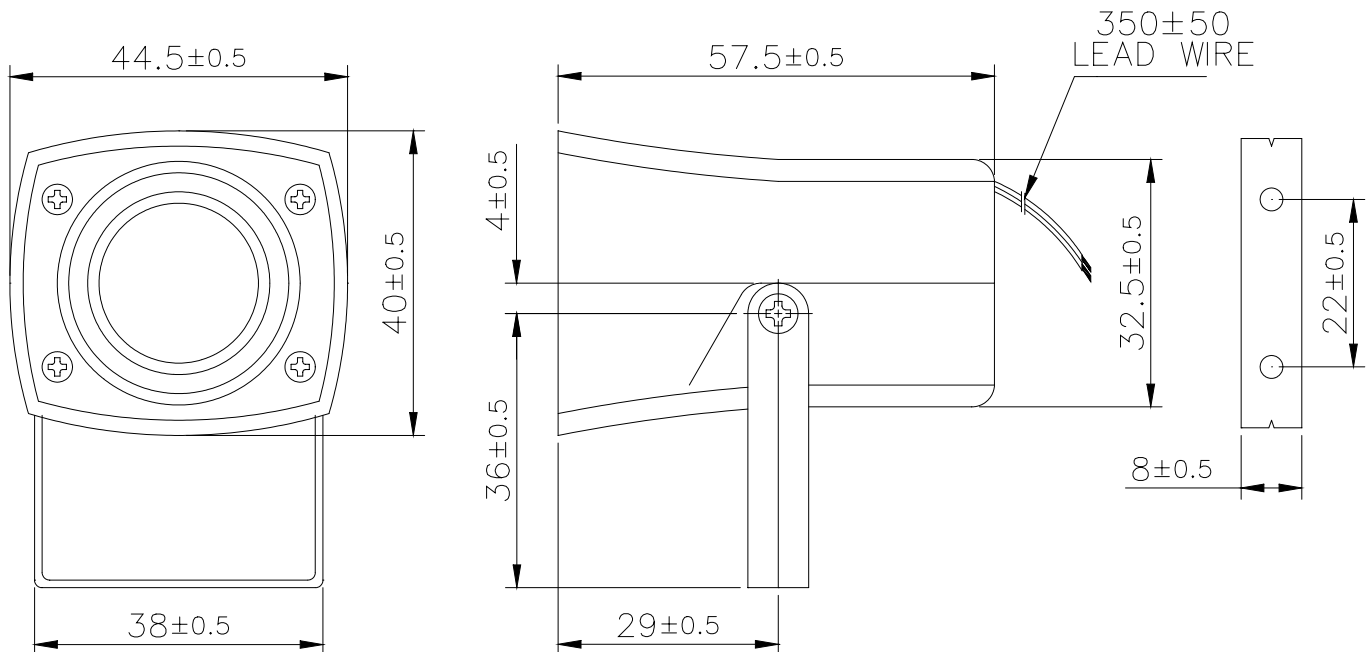


OBSOLETE- USE PS-521Q**Specification:**

Resonant Frequency (Hz)	3000 ±0.5
Operating Voltage (Vdc)	5 ~ 15
Rated Voltage (Vdc)	12
Current Consumption Max. (mA)	200 at Rated Voltage
Sound Pressure Level Min. (dB)	105 at 100cm at Rated Voltage
Tone/Pulse Rate (Hz)	Pulse 1.2 ±20%
Operating Temperature (°C)	-20 ~ +70
Storage Temperature (°C)	-30 ~ +80
Housing	ABS 707 UL94HB plastic resin (Color: Black)
Leading Wire	20 AWG
Weight (Grams)	55.8
Options	For other options contact factory

Dimensions: (units: mm)

Mouser Electronics

Authorized Distributor

Click to View Pricing, Inventory, Delivery & Lifecycle Information:

[Mallory Sonalert:](#)

[PS-521](#)