

FEATURES

- 20 μ A to 20mA Operating Range
- Guaranteed 1% Initial Voltage Tolerance
- Guaranteed 1 Ω Dynamic Impedance
- Very Low Power Consumption


APPLICATIONS

- Portable Meter References
- Portable Test Instruments
- Battery-Operated Systems
- Panel Meters
- Current Loop Instrumentation

DESCRIPTION

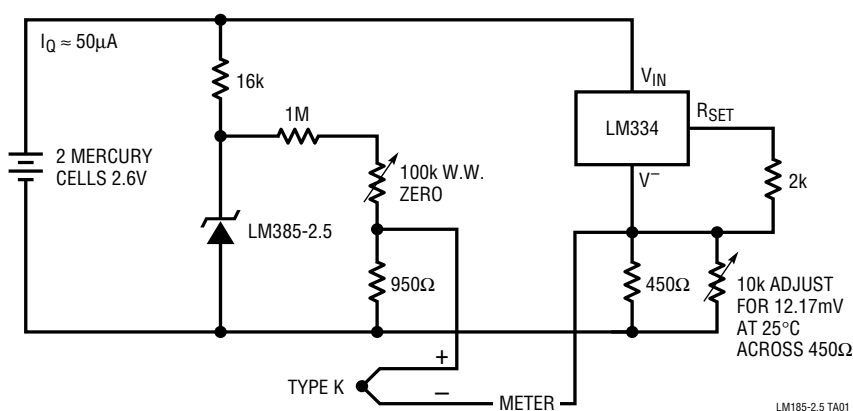
The LM185-2.5 is a two-terminal band gap reference diode that has been designed for applications which require precision performance with micropower operation. The device provides guaranteed operation specifications at currents as low as 20 μ A. The nominal voltage is 2.5V with both 1% and 2% tolerances available. Some additional features are: maximum dynamic impedance of 1 Ω , low noise and excellent stability over time and temperature. The advanced design, processing and testing techniques make Linear's LM185-2.5 a superior choice over previous designs. A circuit for cold junction compensation of a thermocouple is shown below.

For applications requiring guaranteed temperature drift, see the LT1034 data sheet.

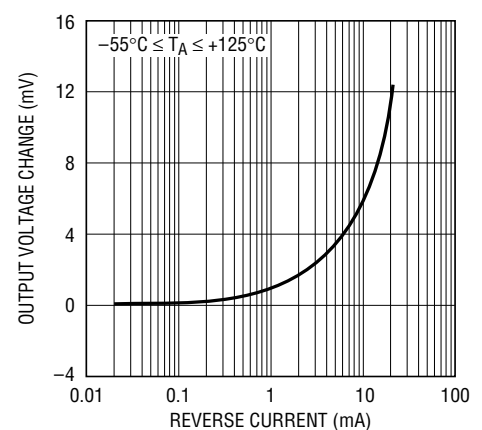
 LTC and LT are registered trademarks of Linear Technology Corporation.

TYPICAL APPLICATION

Thermocouple Cold Junction Compensator



Reverse Voltage Change

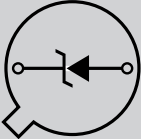
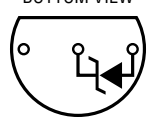
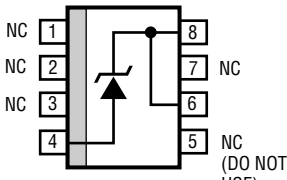


LM185-2.5/ LM285-2.5/LM385-2.5

ABSOLUTE MAXIMUM RATINGS (Note 1)

Reverse Breakdown Current	30mA	Storage Temperature Range	
Forward Current	10mA	LM185-2.5 (OBSOLETE)	-65°C to 150°C
Operating Temperature Range		LM285-2.5	-65°C to 150°C
LM185-2.5 (OBSOLETE)	-55°C to 125°C	LM385-2.5	-65°C to 150°C
LM285-2.5	-40°C to 85°C	Lead Temperature (Soldering, 10 sec.)	300°C
LM385-2.5	0°C to 70°C		

PACKAGE/ORDER INFORMATION

<p style="text-align: center;">BOTTOM VIEW</p>  <p style="text-align: center;">H PACKAGE 2-LEAD TO-46 METAL CAN</p> <p style="text-align: center;">$T_{JMAX} = 150^{\circ}C, \theta_{JA} = 440^{\circ}C/W, \theta_{JC} = 80^{\circ}C/W$</p> <p style="text-align: center;">OBSOLETE PACKAGE Consider the S8 or Z Packages for Alternate Source</p>	<p style="text-align: center;">ORDER PART NUMBER</p> <p style="text-align: center;">LM185H-2.5 LM285H-2.5 LM385H-2.5 LM385BH-2.5 (NOTE 3)</p>	<p style="text-align: center;">BOTTOM VIEW</p>  <p style="text-align: center;">Z PACKAGE 3-LEAD TO-92 PLASTIC</p> <p style="text-align: center;">$T_{JMAX} = 100^{\circ}C, \theta_{JA} = 160^{\circ}C/W$</p>	<p style="text-align: center;">ORDER PART NUMBER</p> <p style="text-align: center;">LM285Z-2.5 LM385Z-2.5 LM385BZ-2.5 (NOTE 3)</p>
<p style="text-align: center;">TOP VIEW</p>  <p style="text-align: center;">S8 PACKAGE 8-LEAD PLASTIC SO</p> <p style="text-align: center;">$T_{JMAX} = 150^{\circ}C, \theta_{JA} = 220^{\circ}C/W$</p>			<p style="text-align: center;">ORDER PART NUMBER</p> <p style="text-align: center;">LM285S8-2.5 LM385S8-2.5 LM385BS8-2.5</p> <p style="text-align: center;">S8 PART MARKING</p> <p style="text-align: center;">2852 3852 3852B</p>

Consult LTC Marketing for parts specified with wider operating temperature ranges.

ELECTRICAL CHARACTERISTICS The ● denotes the specifications which apply over the full operating temperature range, otherwise specifications are at $T_A = 25^\circ\text{C}$. (Note 2)

SYMBOL	PARAMETER	CONDITIONS	LM185-2.5/285-2.5			LM385-2.5/385B-2.5			UNITS
			MIN	TYP	MAX	MIN	TYP	MAX	
V_Z	Reverse Breakdown Voltage	$T_A = 25^\circ\text{C}$, $20\mu\text{A} \leq I_R \leq 20\text{mA}$ LM185-2.5/285-2.5 LM385-2.5 LM385B-2.5 (Note 3)	2.462	2.500	2.538				V
						2.425	2.500	2.575	V
						2.462	2.500	2.538	V
$\frac{\Delta V_Z}{\Delta \text{Temp}}$	Average Temperature Coefficient	$20\mu\text{A} \leq I_R \leq 20\text{mA}$ (Note 3)		20			20	ppm/ $^\circ\text{C}$	
I_{MIN}	Minimum Operating Current	$T_{\text{MIN}} \leq T_A \leq T_{\text{MAX}}$	●	8	20		8	20	μA
$\frac{\Delta V_Z}{\Delta I_R}$	Reverse Breakdown Voltage Change With Current	$20\mu\text{A} \leq I_R \leq 1\text{mA}$ $T_A = 25^\circ\text{C}$ $T_{\text{MIN}} \leq T_A \leq T_{\text{MAX}}$			1.0		2.0	mV	
					1.5		2.5	mV	
		$1\text{mA} \leq I_R \leq 20\text{mA}$ $T_A = 25^\circ\text{C}$ $T_{\text{MIN}} \leq T_A \leq T_{\text{MAX}}$			10		20	mV	
			●		20		25	mV	
r_Z	Reverse Dynamic Impedance	$I_R = 100\mu\text{A}$ (Note 4) $T_A = 25^\circ\text{C}$ $T_{\text{MIN}} \leq T_A \leq T_{\text{MAX}}$			0.2		0.4	1.0	Ω
			●		1.5		1.5	Ω	
e_n	Wide Band Noise (RMS)	$10\text{Hz} \leq f \leq 10\text{kHz}$, $I_R = 100\mu\text{A}$		120			120	μV	
$\frac{\Delta V_Z}{\Delta \text{Time}}$	Long Term Stability	$T_A = 25^\circ\text{C} \pm 0.1^\circ\text{C}$, $I_R = 100\mu\text{A}$		20			20	ppm/kHr	

Note 1: Absolute Maximum Ratings are those values beyond which the life of a device may be impaired.

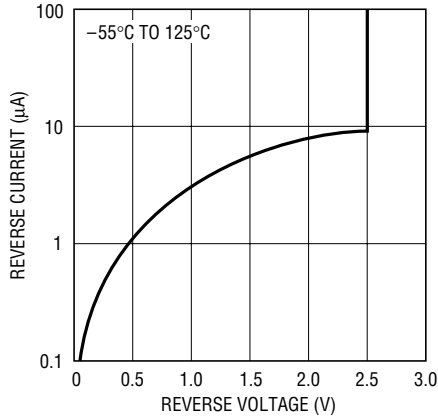
Note 2: All specifications are for $T_A = 25^\circ\text{C}$ unless otherwise noted. For the LM185-2.5 $T_{\text{MIN}} = -55^\circ\text{C}$ and $T_{\text{MAX}} = 125^\circ\text{C}$. For LM285-2.5, $T_{\text{MIN}} = -40^\circ\text{C}$ and $T_{\text{MAX}} = 85^\circ\text{C}$. For LM385-2.5, $T_{\text{MIN}} = 0^\circ\text{C}$ and $T_{\text{MAX}} = 70^\circ\text{C}$.

Note 3: For very low initial tolerance, consult LT1004 data sheet. The LT1004 is a low cost, pin for pin substitution device. For guaranteed temperature coefficient consult the LT1034-2.5 data sheet.

Note 4: Guaranteed but not tested.

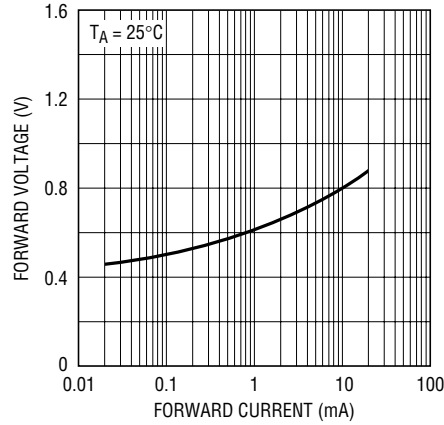
TYPICAL PERFORMANCE CHARACTERISTICS

Reverse Characteristics



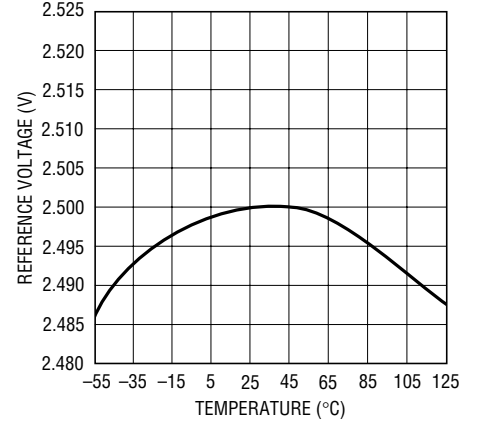
LM185-2.5 • TPC01

Forward Characteristics



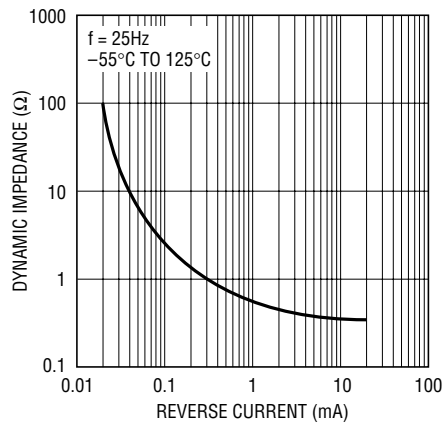
LM185-2.5 • TPC02

Temperature Drift



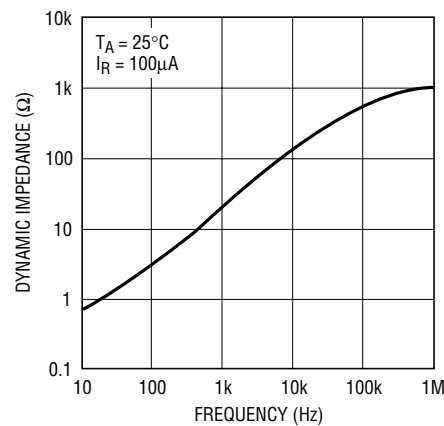
LM185-2.5 • TPC03

Reverse Dynamic Impedance



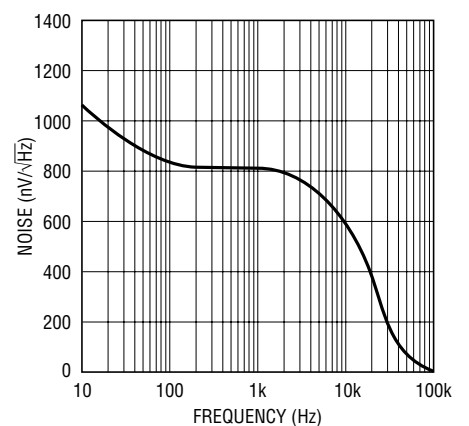
LM185-2.5 • TPC05

Reverse Dynamic Impedance



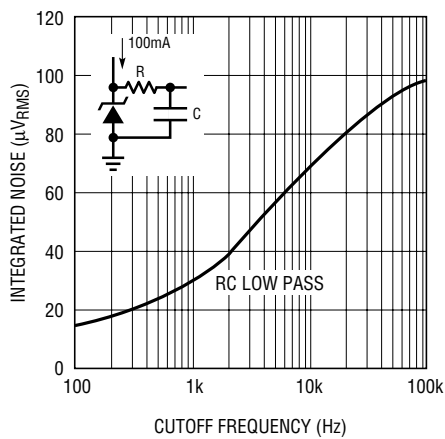
LM185-2.5 • TPC05

Noise Voltage



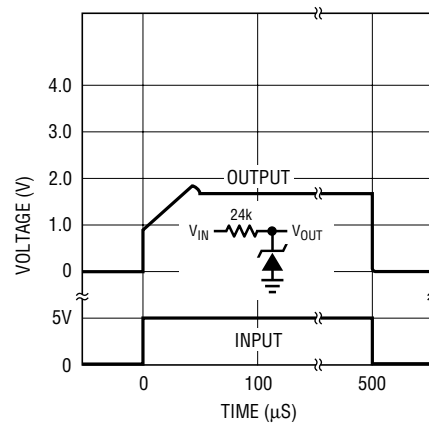
LM185-2.5M • TPC06

Filtered Output Noise



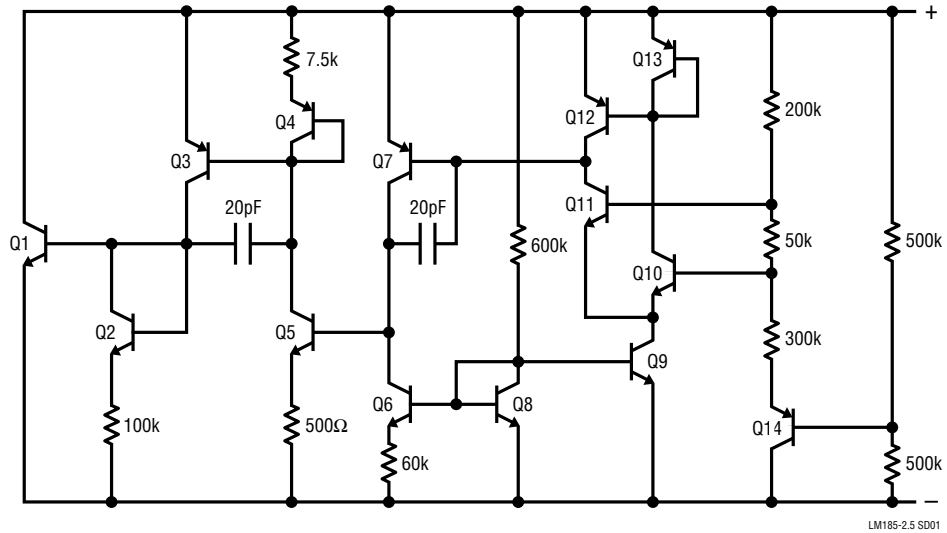
LM185-2.5 • TPC07

Response Time



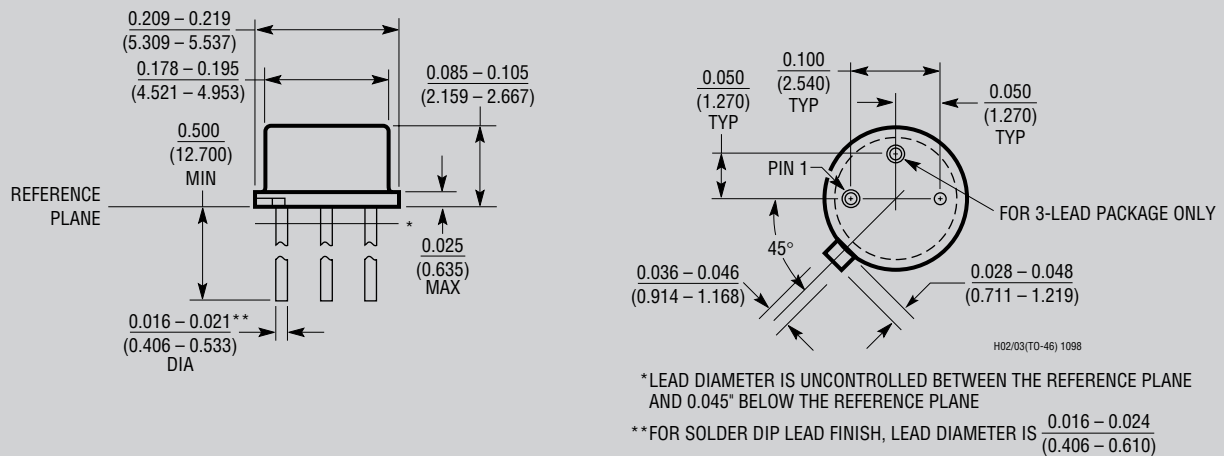
LM185-2.5 • TPC08

SCHEMATIC DIAGRAM



PACKAGE DESCRIPTION

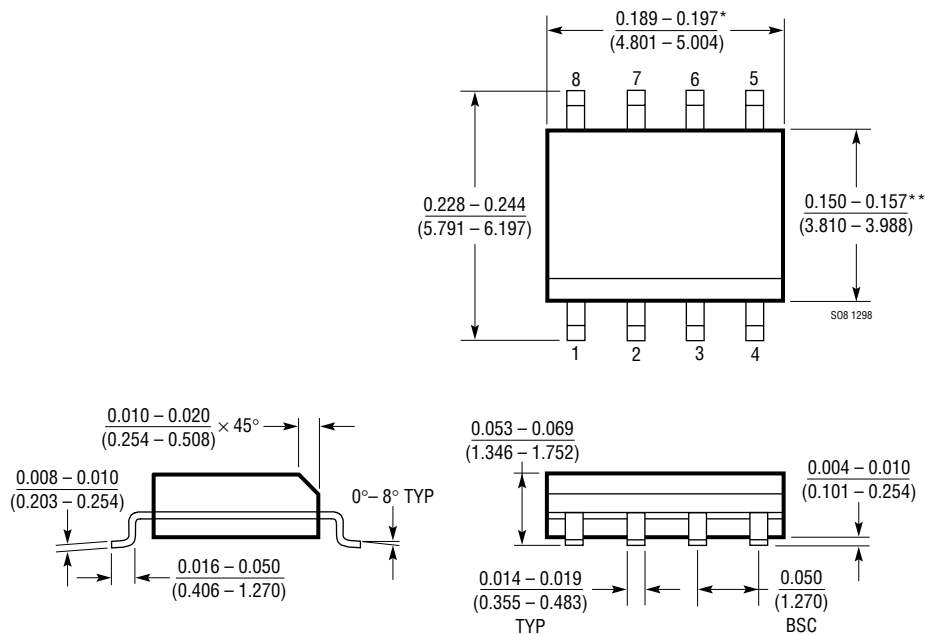
H Package 2-Lead and 3-Lead TO-46 Metal Can (Reference LTC DWG # 05-08-1340)



OBSOLETE PACKAGE

PACKAGE DESCRIPTION

S8 Package
8-Lead Plastic Small Outline (Narrow .150 Inch)
(Reference LTC DWG # 05-08-1610)

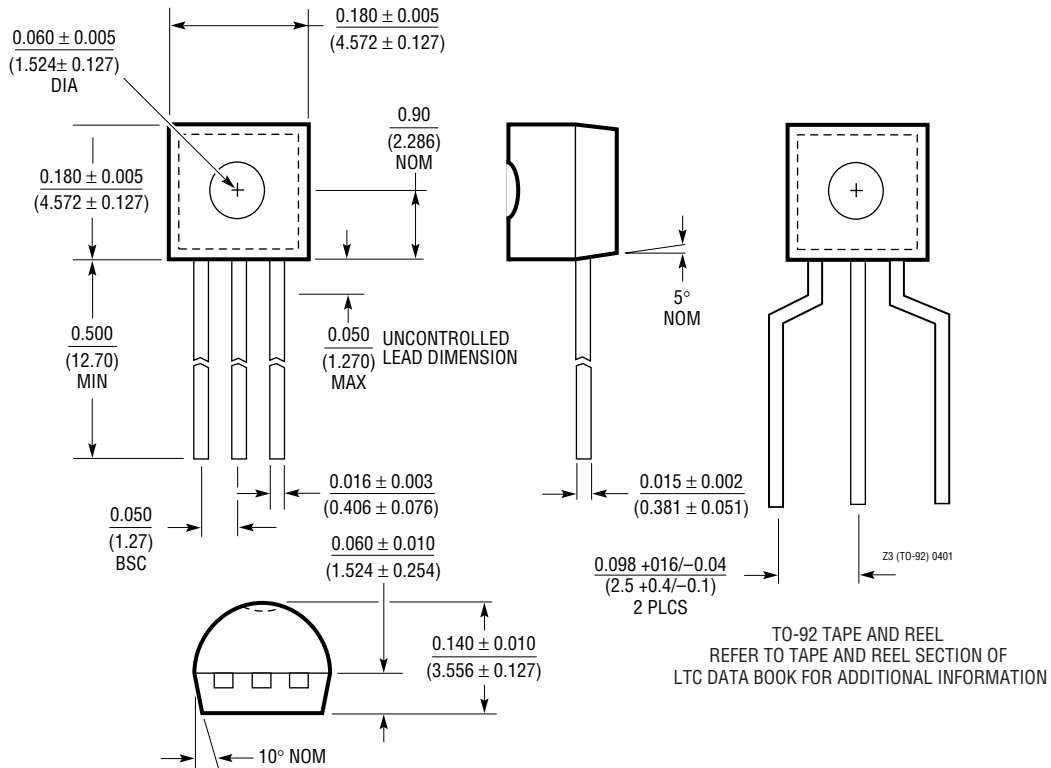


*DIMENSION DOES NOT INCLUDE MOLD FLASH. MOLD FLASH SHALL NOT EXCEED 0.006" (0.152mm) PER SIDE

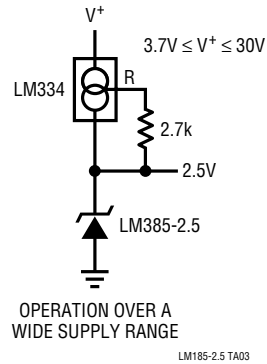
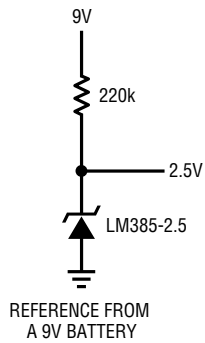
**DIMENSION DOES NOT INCLUDE INTERLEAD FLASH. INTERLEAD FLASH SHALL NOT EXCEED 0.010" (0.254mm) PER SIDE

PACKAGE DESCRIPTION

Z Package
3-Lead Plastic TO-92 (Similar to TO-226)
(Reference LTC DWG # 05-08-1410)



TYPICAL APPLICATIONS



RELATED PARTS

PART NUMBER	DESCRIPTION	COMMENTS
LT1634	Micropower Shunt Voltage Reference	0.05% Initial Accuracy, 10ppm/°C Maximum Tempco Output Voltage: 1.25V, 2.5V, 4.096V and 5V

Mouser Electronics

Authorized Distributor

Click to View Pricing, Inventory, Delivery & Lifecycle Information:

[Analog Devices Inc.:](#)

[LM285Z-2.5#TR](#) [LM285Z-2.5#TRPBF](#) [LM285Z-2.5](#)