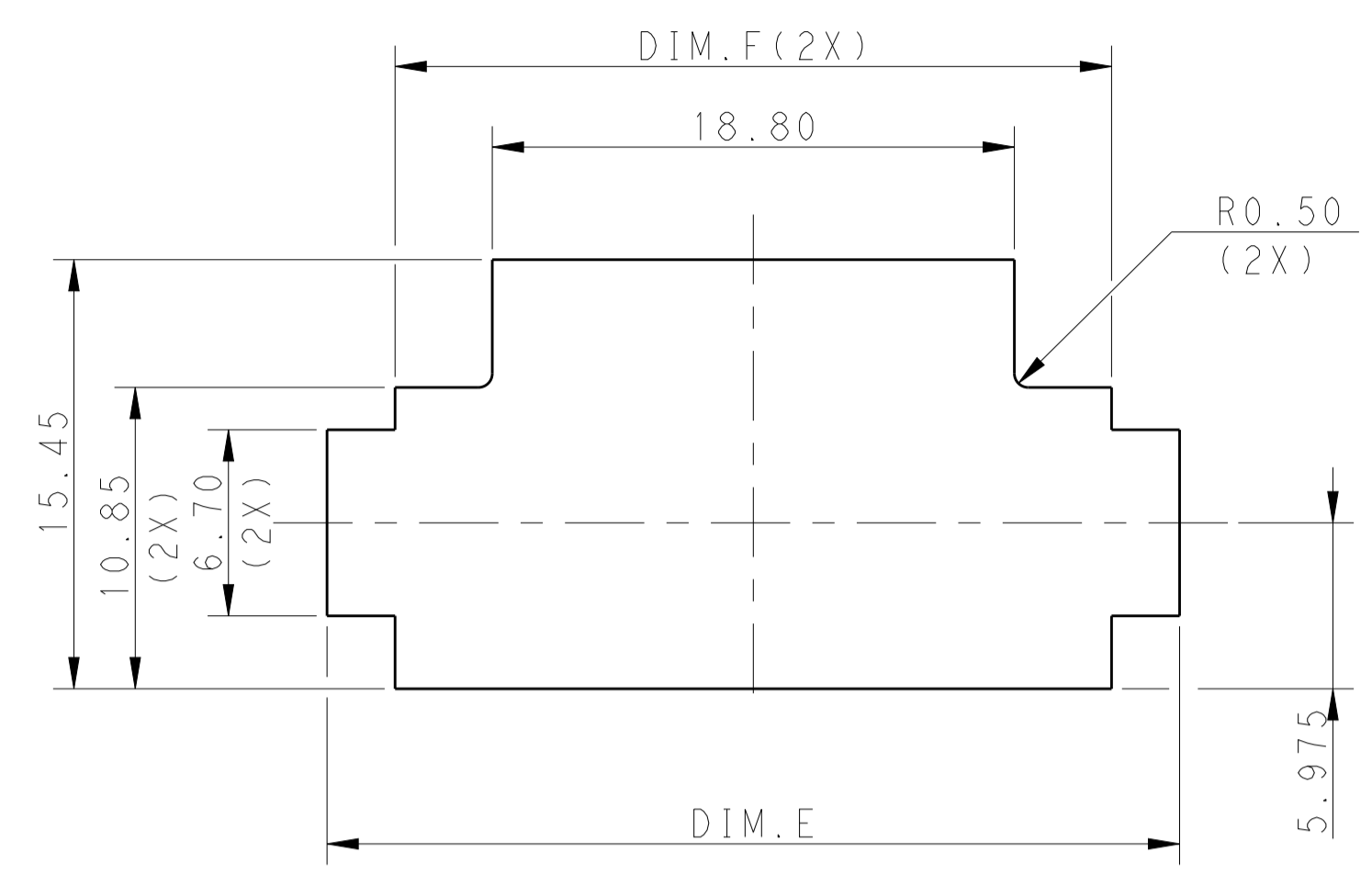
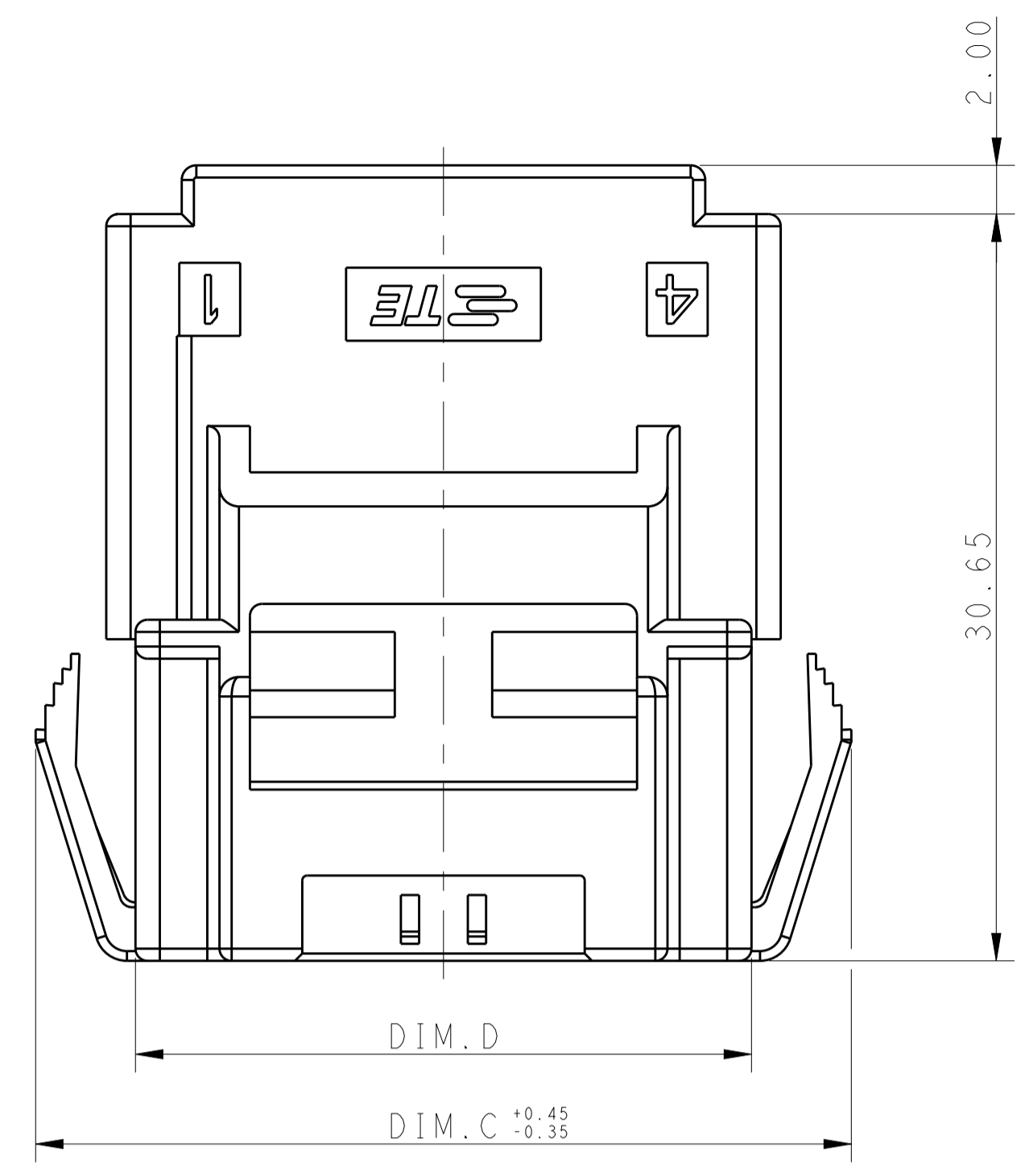


| LOC | | DIST | | REVISIONS | | | |
|-----|-----|---------------------------|-----------|-----------|------|--|--|
| P | LTN | DESCRIPTION | DATE | DWN | APVD | | |
| | C | REVISED PER ECR-16-003247 | 14JUL2016 | BW | GJ | | |



RECOMMENDED PANEL OPENING DIMENSIONS FOR CAP HOUSING 1*5 AND 1*4 POSITIONS (TOLERANCE: ±0.15mm)

△ MATERIAL:
 LEVEL 1:PBT, STANDARD TEMPERATURE 105°C
 KEY A:NATURAL; KEY B:PURPLE; KEY C:BLUE; KEY D:YELLOW
 LEVEL 2:NYLON, HIGH TEMPERATURE 150°C
 KEY A:LIGHT GREY; KEY B:RED; KEY C:BLACK; KEY D:NATURAL

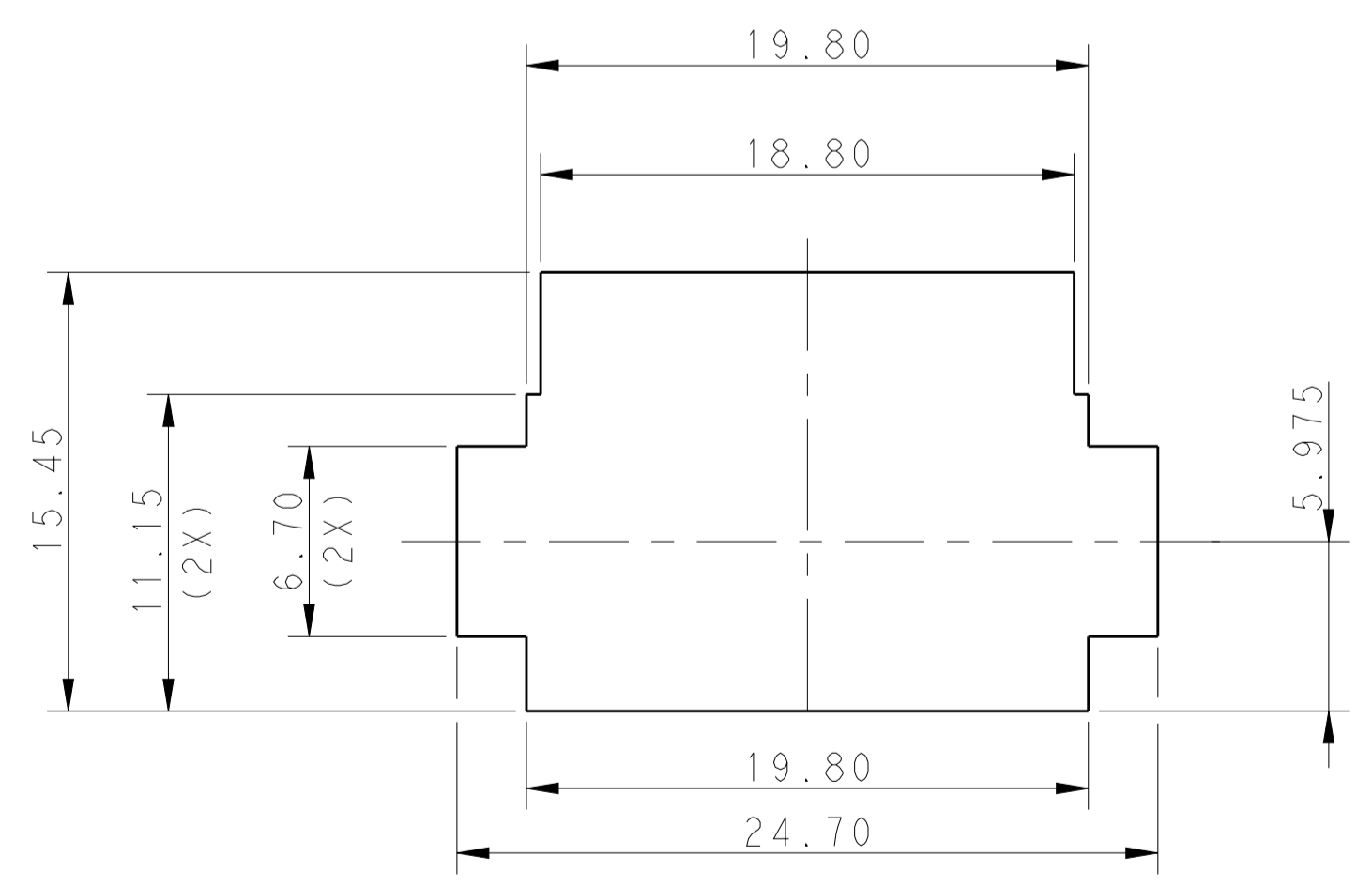
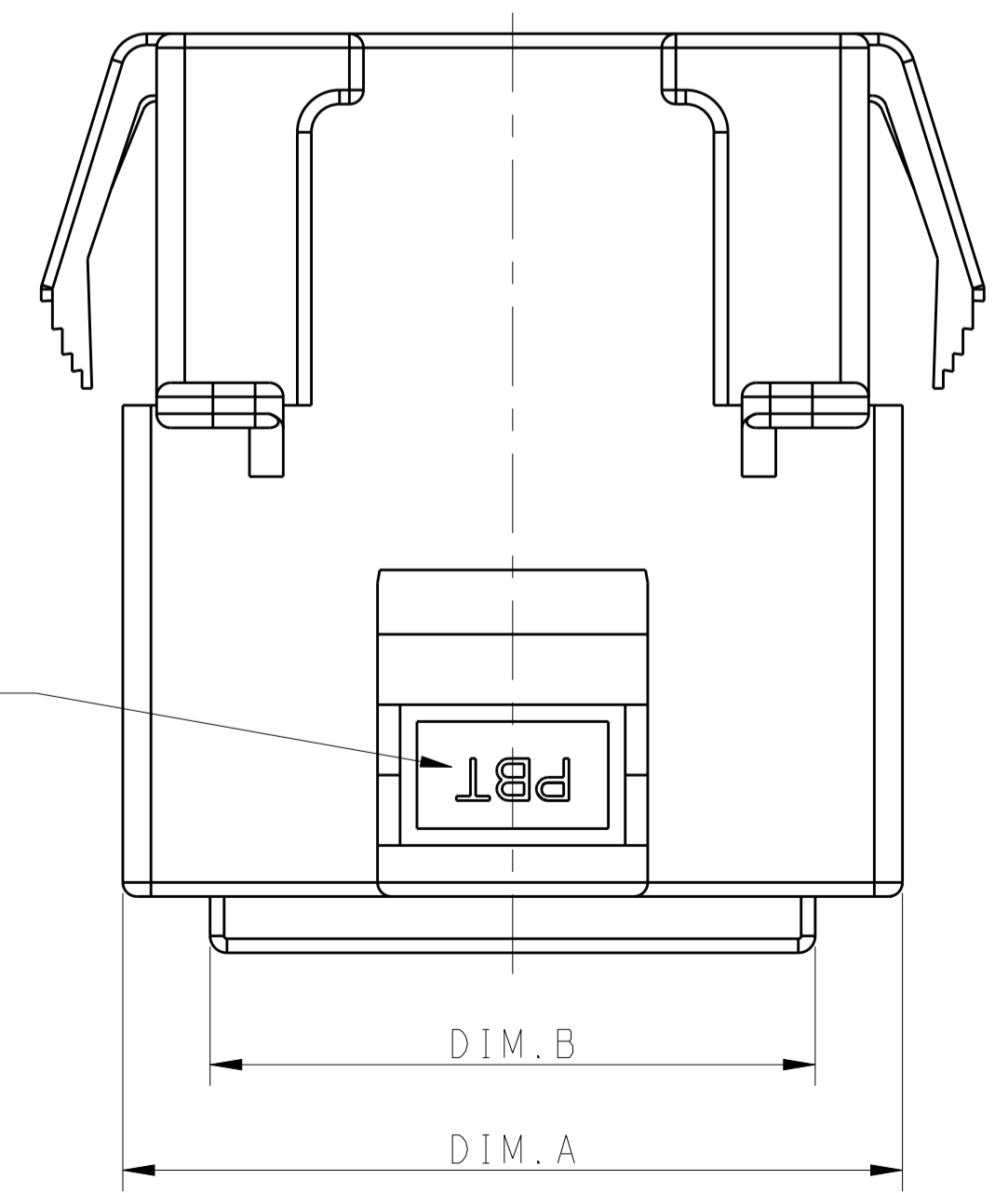
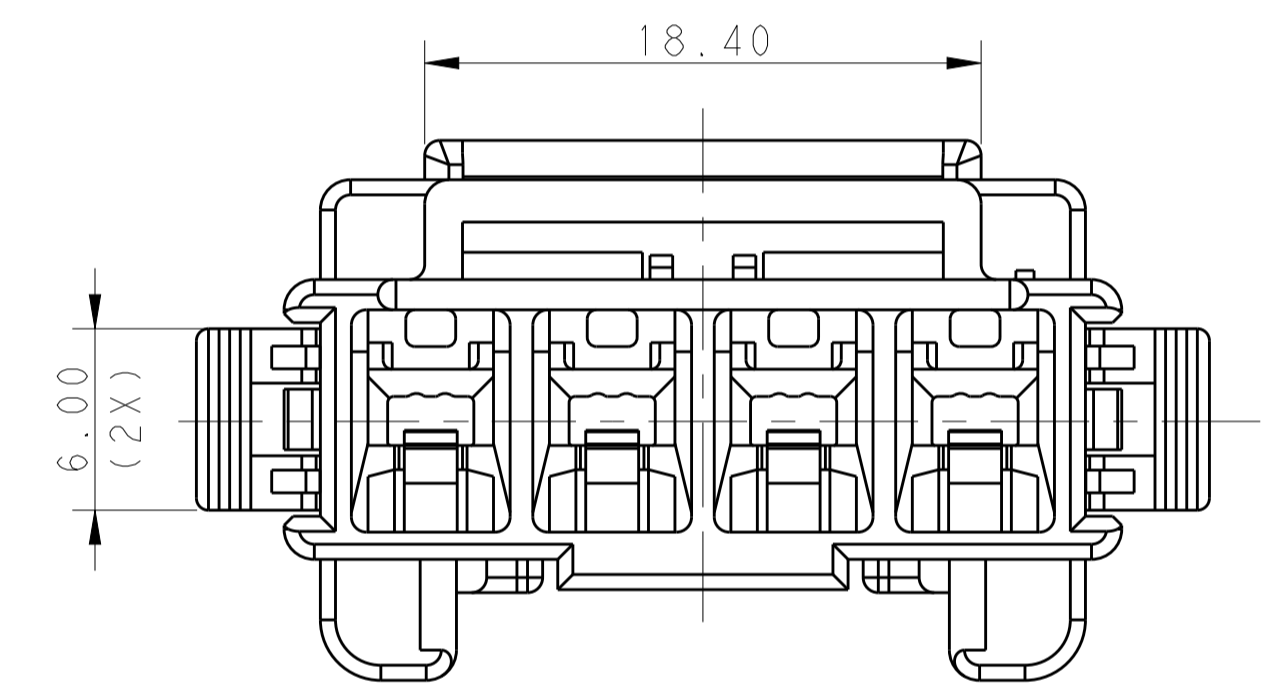
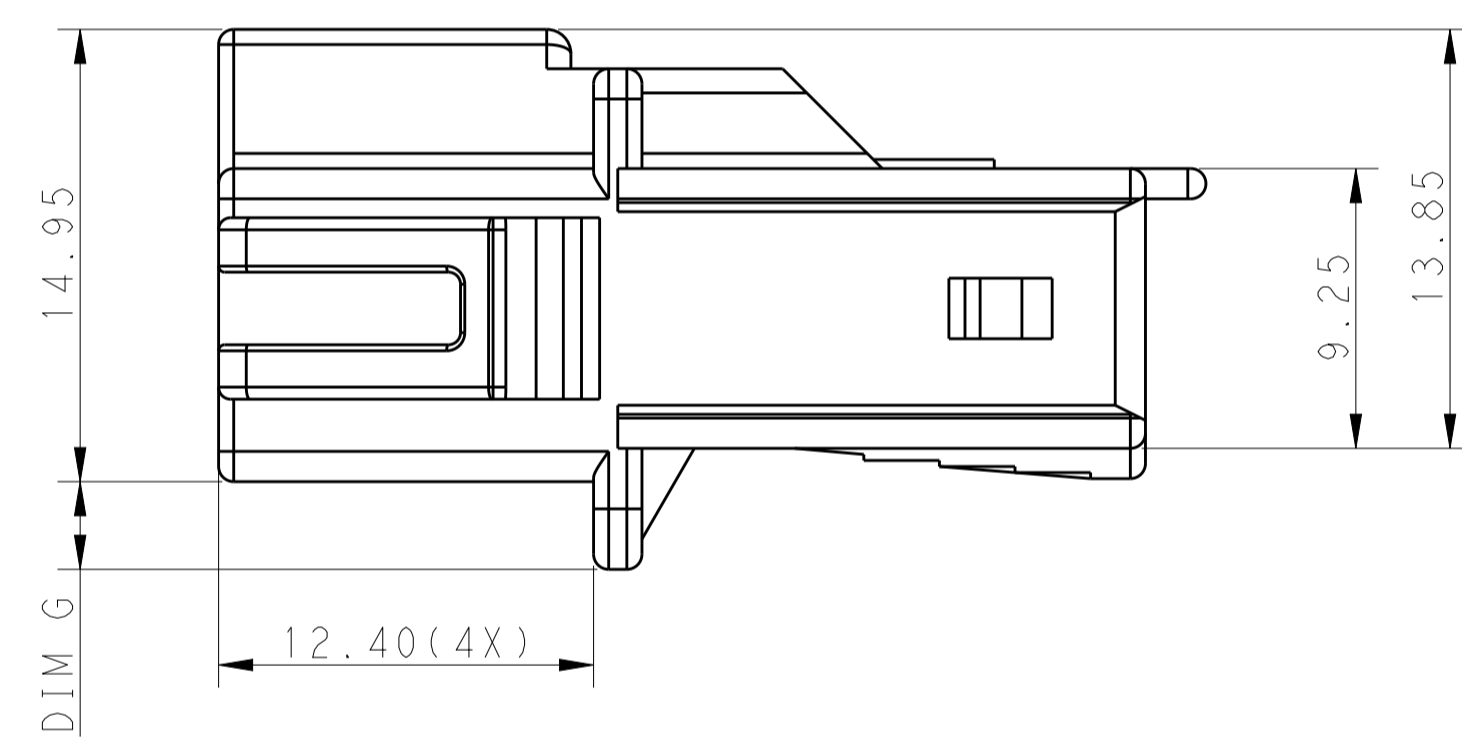
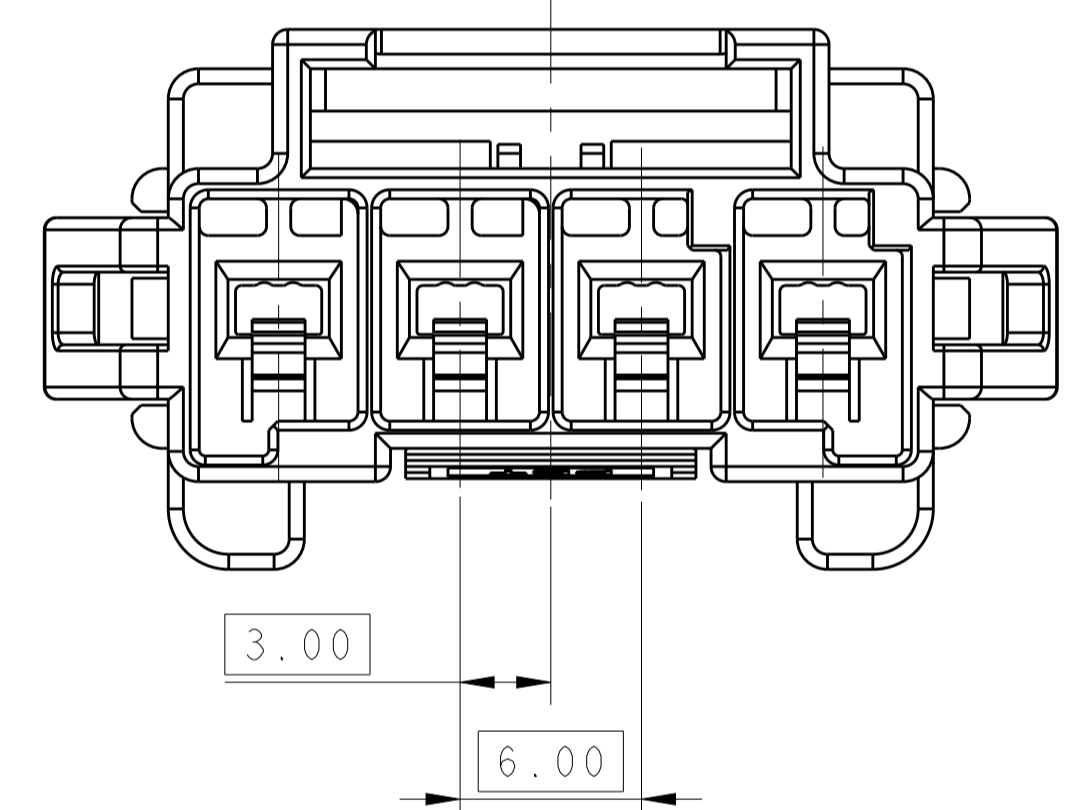
△ MATERIAL MARK:
 LEVEL 1:PBT, LEVEL 2:HDT

3 APPLICABLE CONTACT P/N
 TAB CONTACT:1971238/1971780/82/84/86/88-*,2238067-*

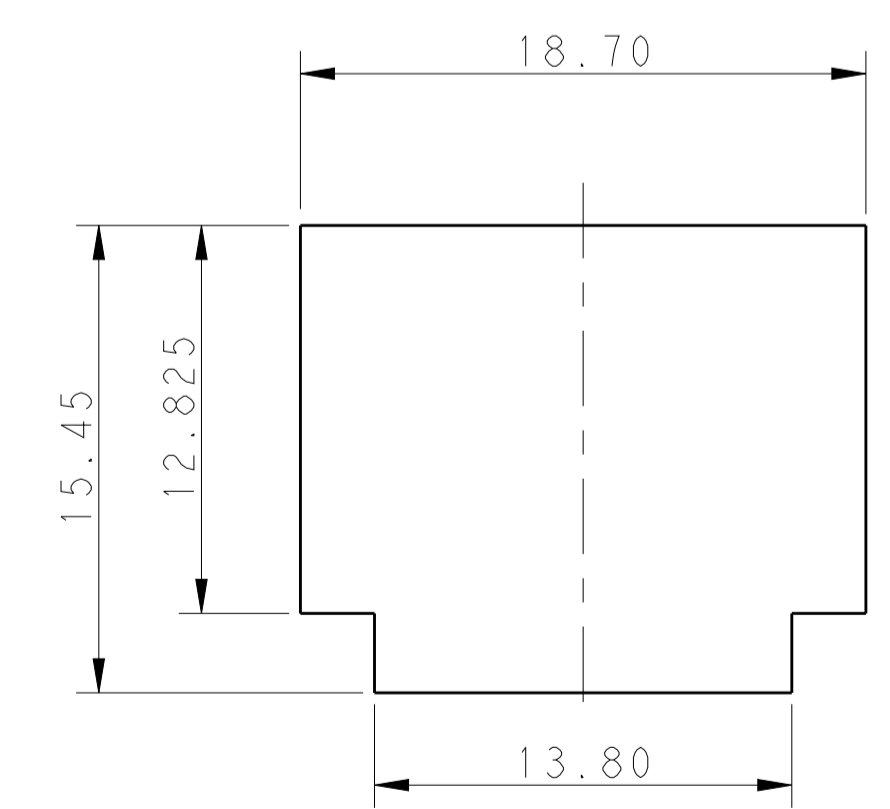
4 MATING CONN, P/N
 PLUG HSG:*-1971773-
 TPA (LOCK PLATE):*-1971777-*

5 RECOMMENDED PANEL THICKNESS:1.0-2.0mm

6 THIS PRODUCT HAS NOT COMPLETED VALIDATION TESTING



RECOMMENDED PANEL OPENING DIMENSIONS FOR CAP HOUSING 1*3 POSITION (TOLERANCE: ±0.15mm)



RECOMMENDED PANEL OPENING DIMENSIONS FOR CAP HOUSING 1*2 POSITION (TOLERANCE: ±0.15mm)

| POS | A | B | C | D | E | F | G |
|-----|-------|-------|------|-------|-------|-------|-----|
| 1*5 | 33.70 | 27.50 | 39.5 | 31.30 | 36.70 | 31.80 | 2.9 |
| 1*4 | 27.70 | 21.50 | 33.5 | 25.30 | 30.70 | 25.80 | 2.9 |
| 1*3 | 21.70 | 15.50 | 27.5 | 19.30 | | | 2.5 |
| 1*2 | 15.70 | 9.50 | 21.5 | 13.30 | | | 1.1 |

THIS DRAWING IS A CONTROLLED DOCUMENT.

DIMENSIONS: mm

TOLERANCES UNLESS OTHERWISE SPECIFIED:

| | |
|--------|-------|
| 0 PLC | ± |
| 1 PLC | ±0.35 |
| 2 PLC | ±0.25 |
| 3 PLC | ± |
| 4 PLC | ± |
| ANGLES | ± |

MATERIAL: PBT

FINISH: -

Customer Drawing

DWN: TOMMY WU 06JUL2012
 CHK: HAPYE WU 06JUL2012
 APVD: YUHONG MAO 06JUL2012

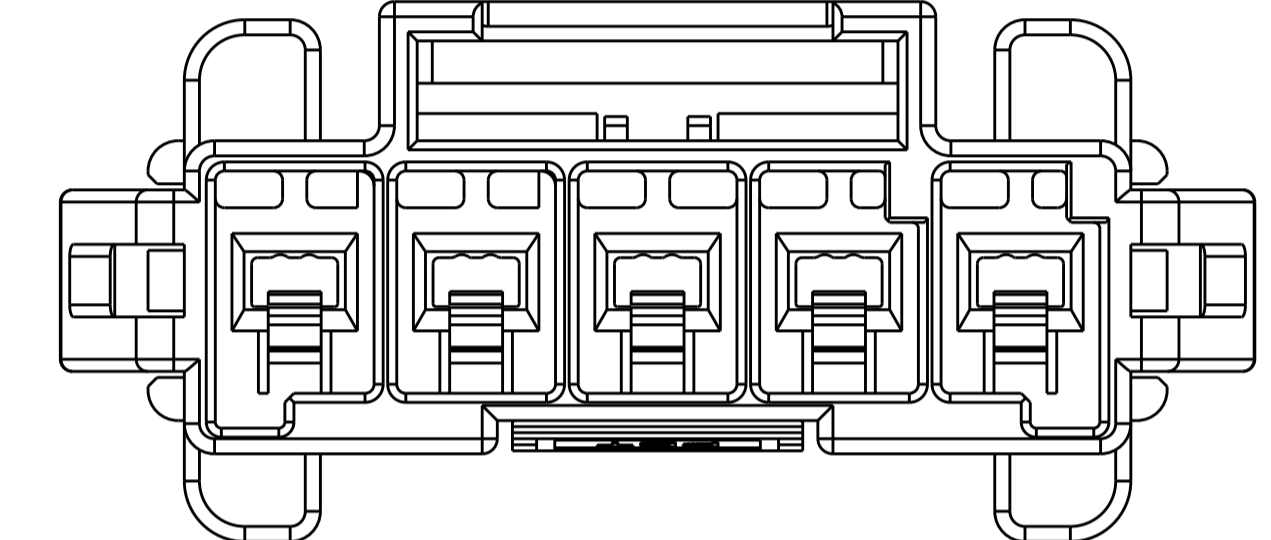
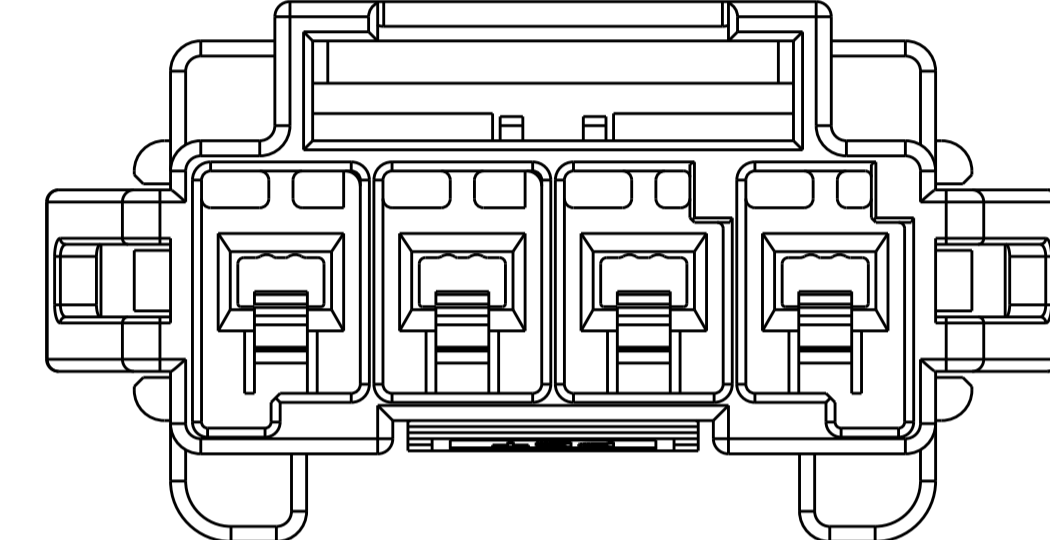
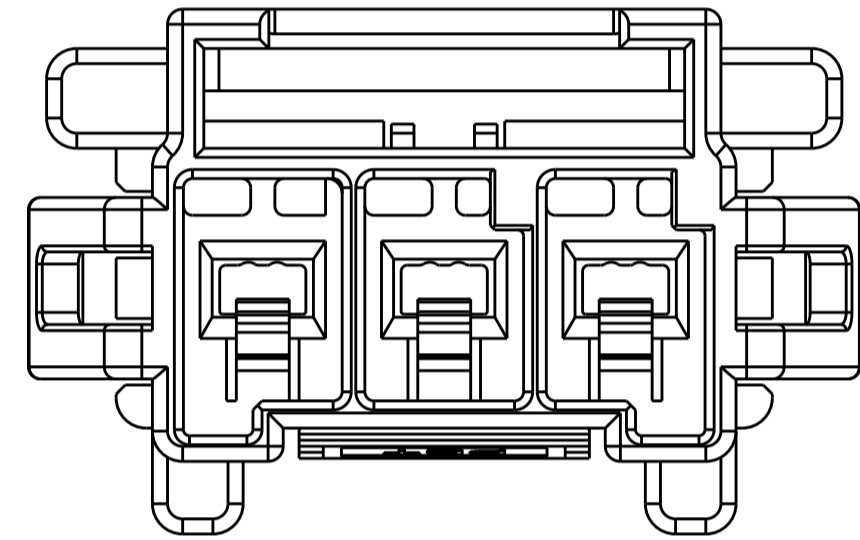
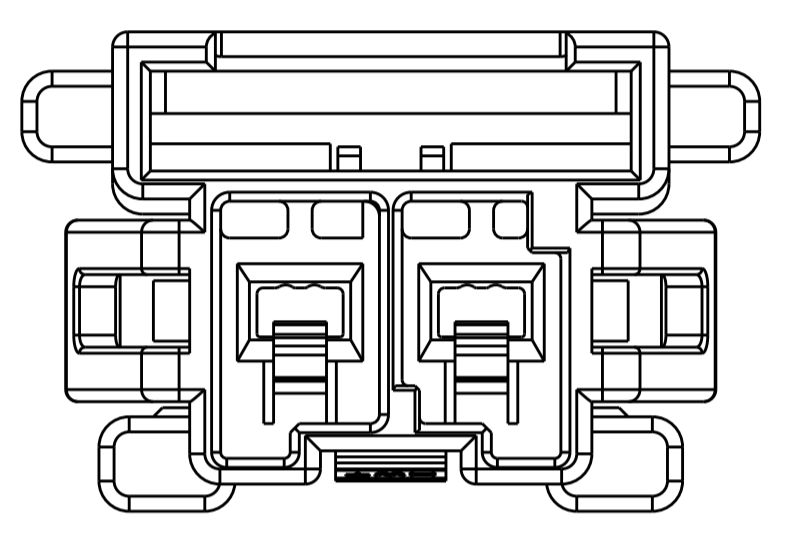
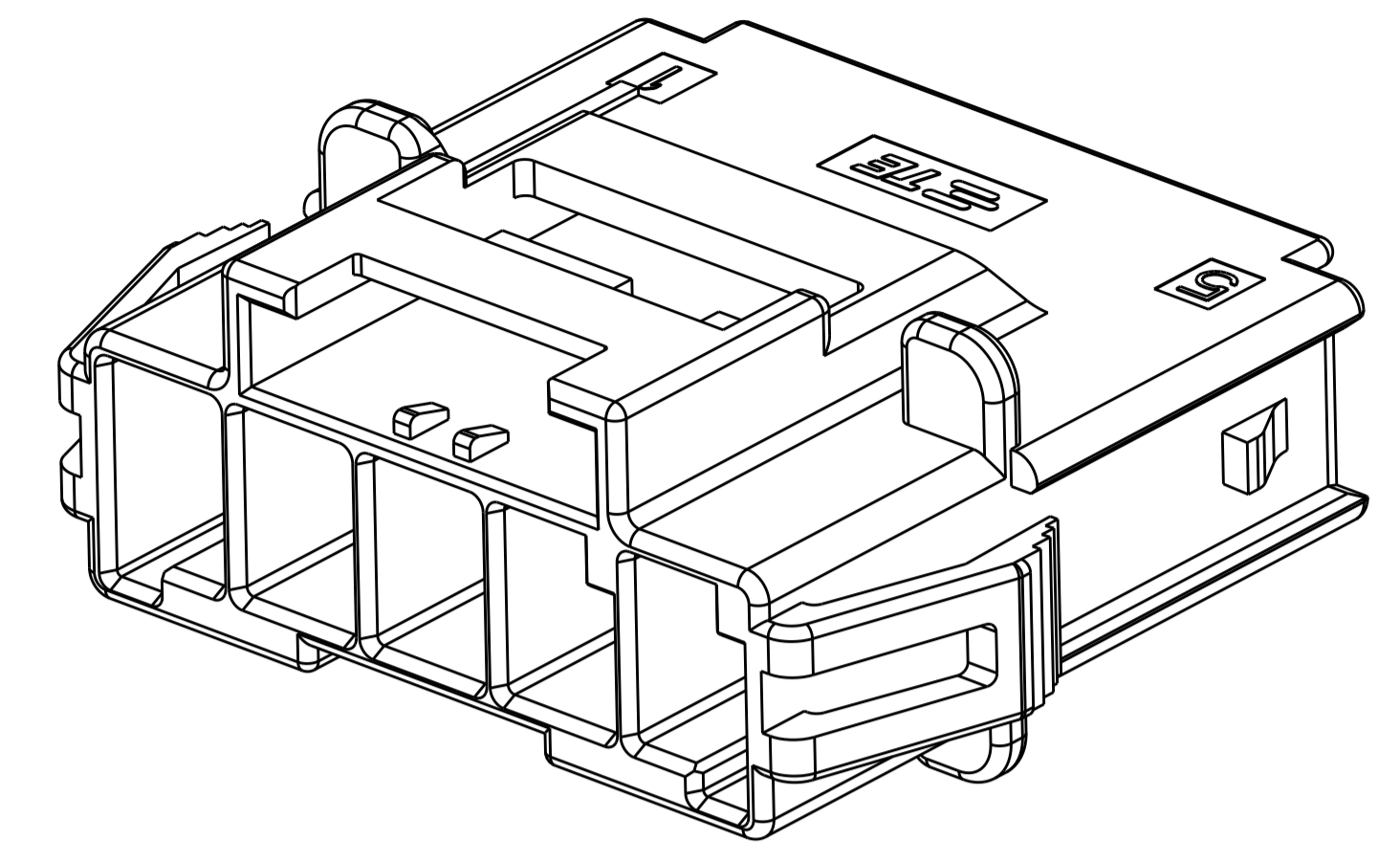
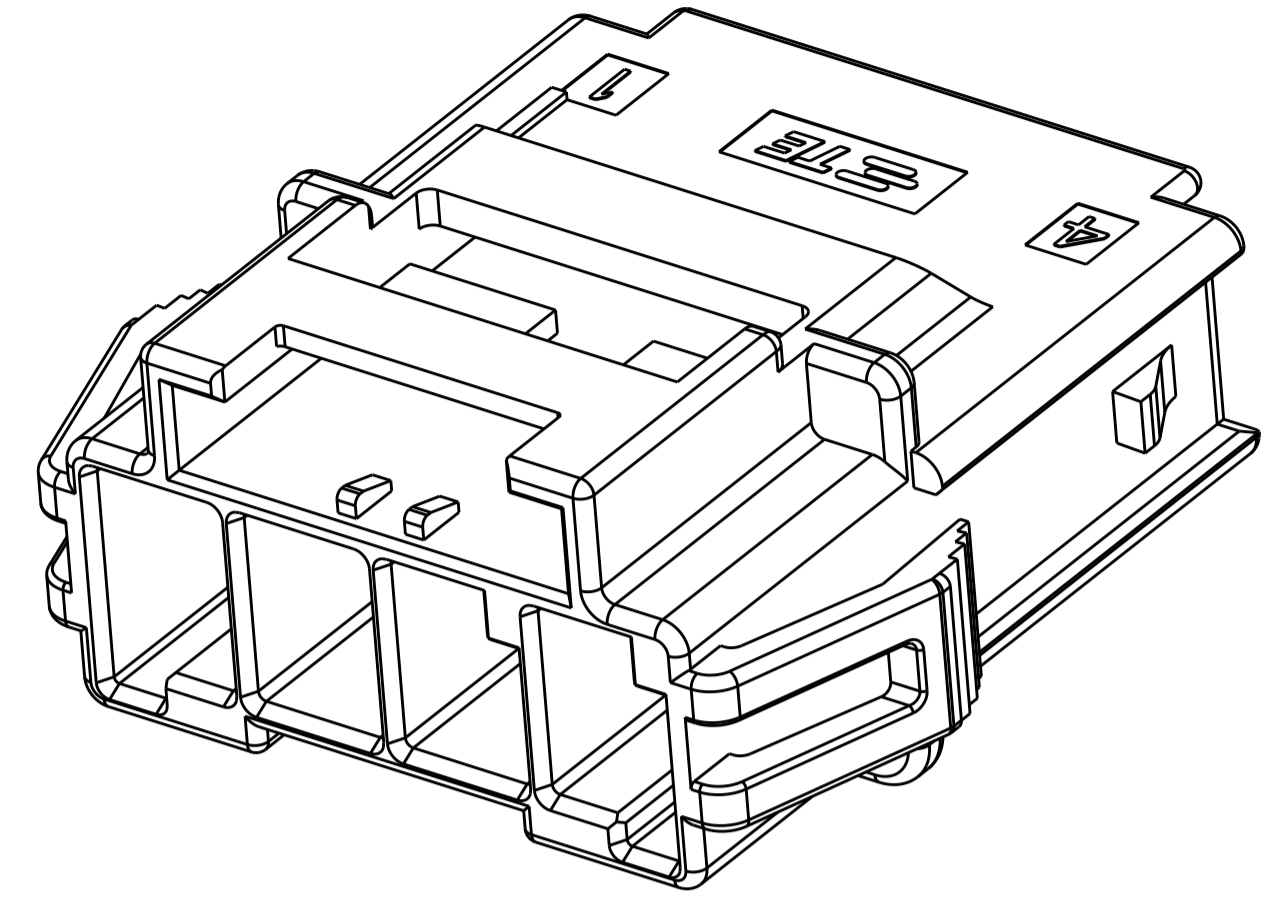
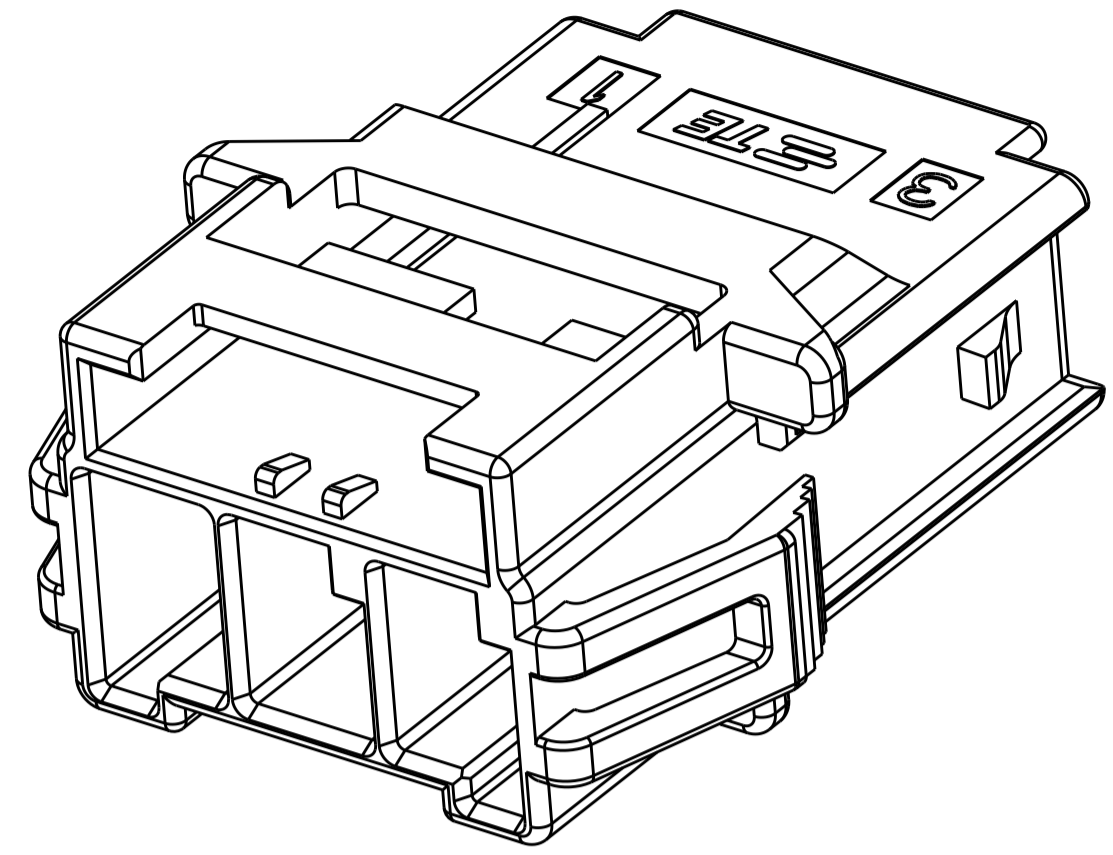
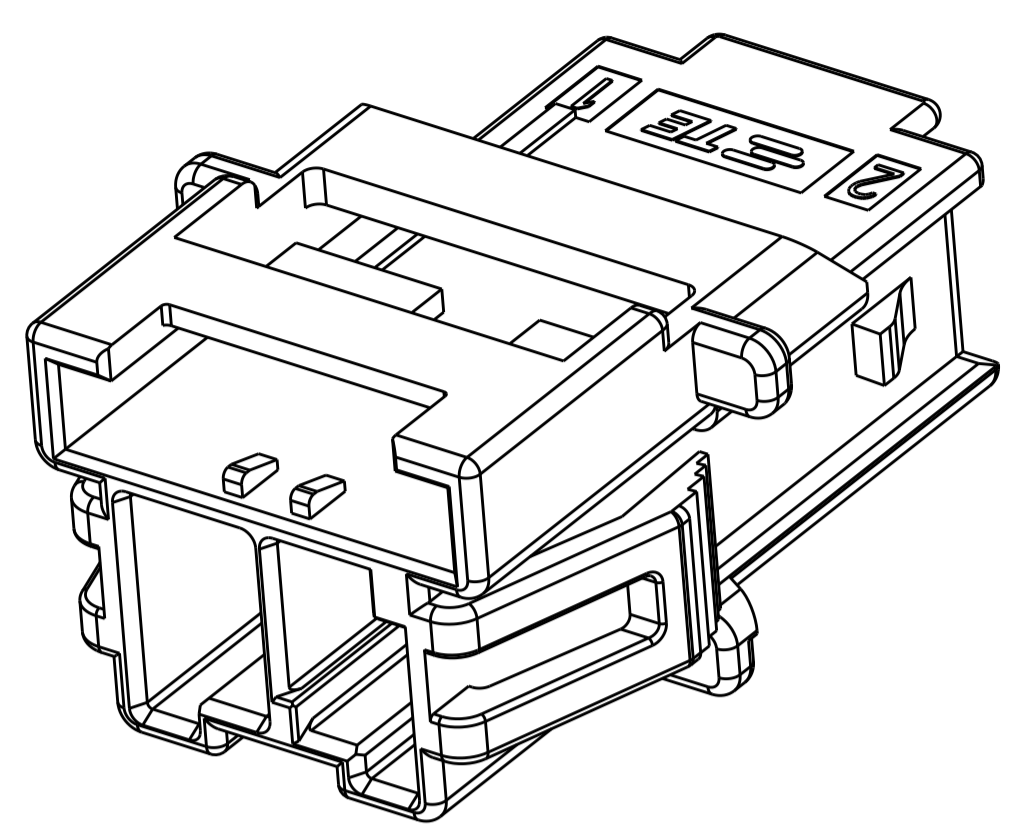
NAME: CAP HOUSING, PANEL MOUNT, SINGLE ROW POWER TRIPLE LOCK

SIZE: A1
 CAGE CODE: 108-106118
 DRAWING NO: 114-106118
 WEIGHT: -

RESTRICTED TO: -

SCALE: - SHEET 1 OF 2 REV C

| LOC | DIST | REV | DATE | BY | CHKD | APVD |
|-------------|------|-----|------|----|------|------|
| - | - | - | - | - | - | - |
| REVISIONS | | | | | | |
| DESCRIPTION | | | | | | |
| SEE SHEET 1 | | | | | | |

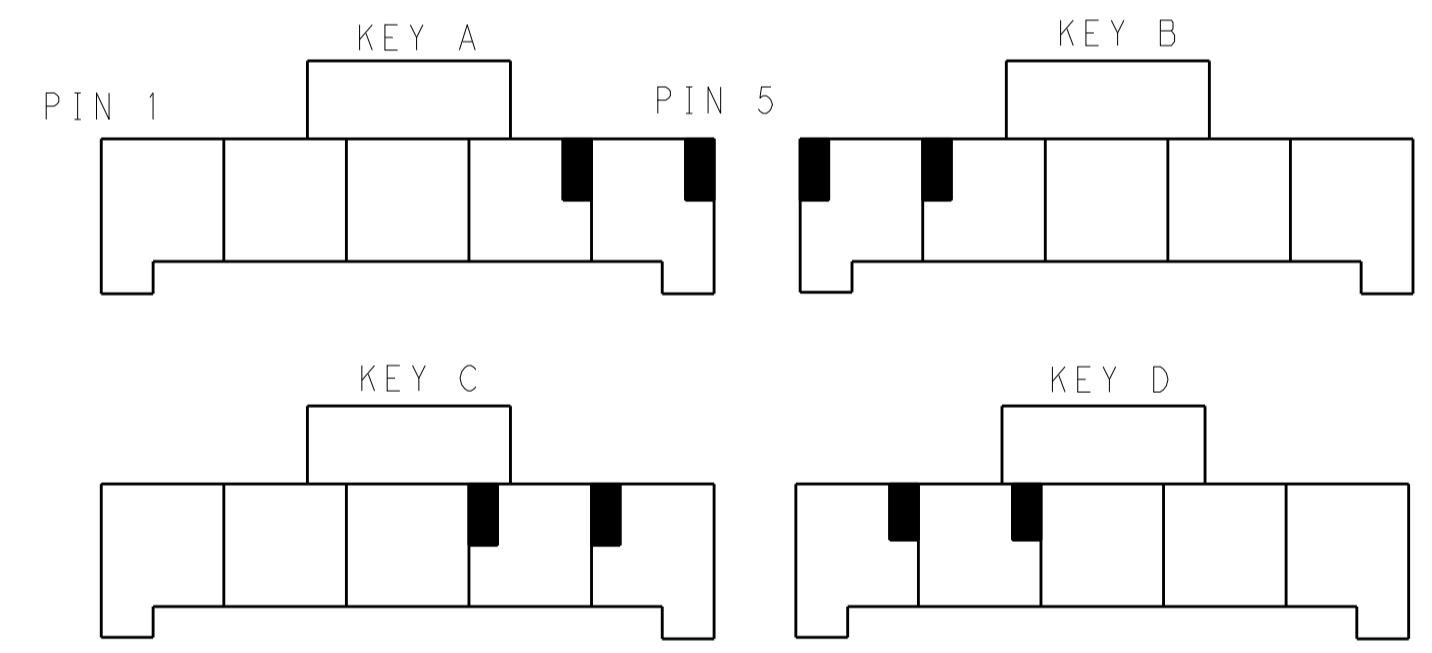
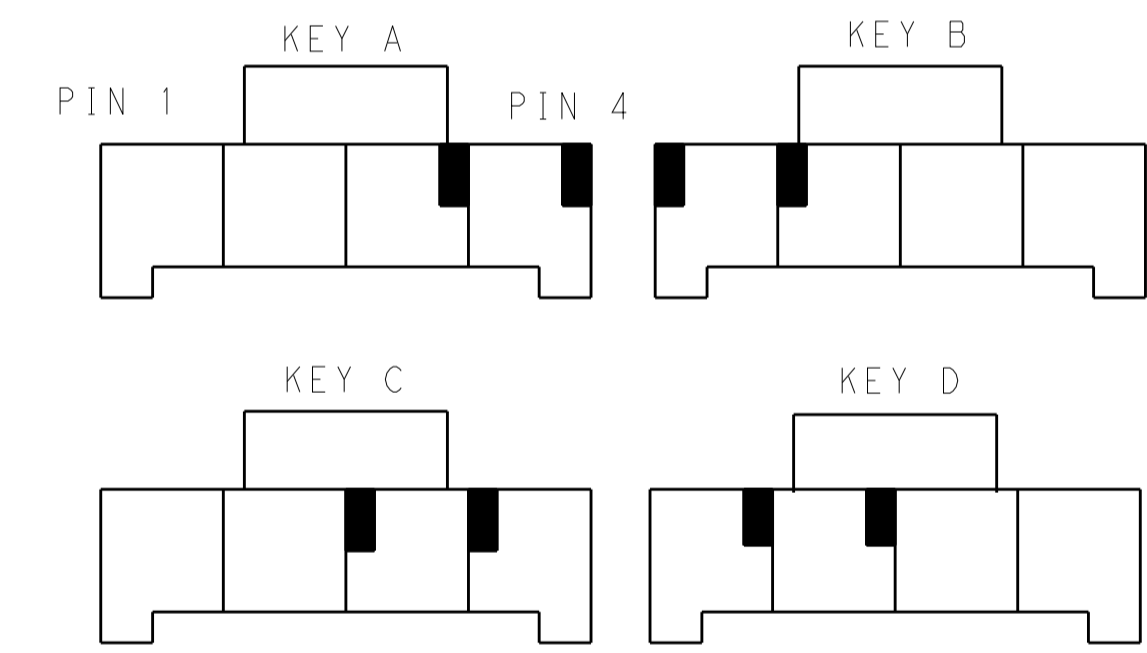
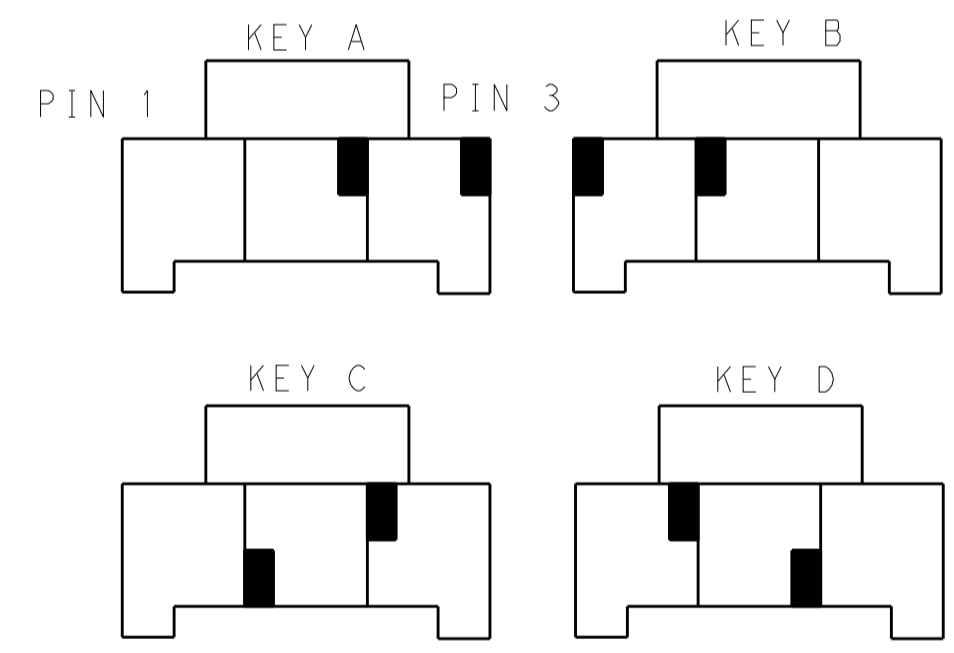
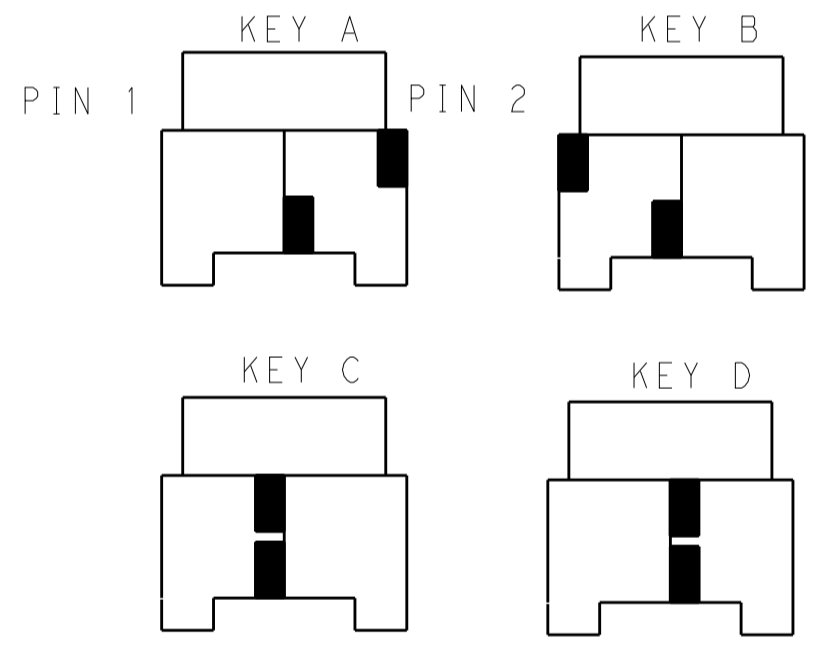


1*2 POSITIONS

1*3 POSITIONS

1*4 POSITIONS

1*5 POSITIONS



KEYING FOR 1*2 POS.

KEYING FOR 1*3 POS.

KEYING FOR 1*4 POS.

KEYING FOR 1*5 POS.

| POS. | MATERIAL | KEY | P/N |
|------|----------|-------|-------------|
| 1*3 | LEVEL 1 | KEY A | 1-1971772-3 |
| | | KEY B | 2-1971772-3 |
| | | KEY C | 3-1971772-3 |
| | | KEY D | 4-1971772-3 |
| | LEVEL 2 | KEY A | 5-1971772-3 |
| | | KEY B | 6-1971772-3 |
| | | KEY C | 7-1971772-3 |
| | | KEY D | 8-1971772-3 |
| 1*2 | LEVEL 1 | KEY A | 1-1971772-2 |
| | | KEY B | 2-1971772-2 |
| | | KEY C | 3-1971772-2 |
| | | KEY D | 4-1971772-2 |
| | LEVEL 2 | KEY A | 5-1971772-2 |
| | | KEY B | 6-1971772-2 |
| | | KEY C | 7-1971772-2 |
| | | KEY D | 8-1971772-2 |

| POS. | MATERIAL | KEY | P/N |
|------|----------|-------|-------------|
| 1*4 | LEVEL 1 | KEY A | 1-1971772-4 |
| | | KEY B | 2-1971772-4 |
| | | KEY C | 3-1971772-4 |
| | | KEY D | 4-1971772-4 |
| | LEVEL 2 | KEY A | 5-1971772-4 |
| | | KEY B | 6-1971772-4 |
| | | KEY C | 7-1971772-4 |
| | | KEY D | 8-1971772-4 |
| 1*5 | LEVEL 1 | KEY A | 1-1971772-7 |
| | | KEY B | 2-1971772-7 |
| | | KEY C | 3-1971772-7 |
| | | KEY D | 4-1971772-7 |
| | LEVEL 2 | KEY A | 5-1971772-7 |
| | | KEY B | 6-1971772-7 |
| | | KEY C | 7-1971772-7 |
| | | KEY D | 8-1971772-7 |

THIS DRAWING IS A CONTROLLED DOCUMENT.

DWN: TOMMY_WU 06JUL2012
 CHK: HAPYE_WU 06JUL2012
 APVD: YUZHONG_MAO 06JUL2012

STE TE Connectivity
 NAME: CAP HOUSING, PANEL MOUNT, SINGLE ROW
 POWER TRIPLE LOCK

DIMENSIONS: mm
 TOLERANCES UNLESS OTHERWISE SPECIFIED:
 0 PLC ±0.35
 1 PLC ±0.25
 2 PLC ±0.25
 3 PLC ±0.25
 4 PLC ±0.25
 ANGLES ±0.25

MATERIAL:
 FINISH:

PRODUCT SPEC: 108-106118
 APPLICATION SPEC: 114-106118
 WEIGHT:
 Customer Drawing

SIZE: A100779
 CAGE CODE: C=1971772
 SCALE: 2 OF 2
 SHEET: 2 OF 2
 REV: C

Mouser Electronics

Authorized Distributor

Click to View Pricing, Inventory, Delivery & Lifecycle Information:

[TE Connectivity:](#)

[1-1971772-2](#)