

4

3

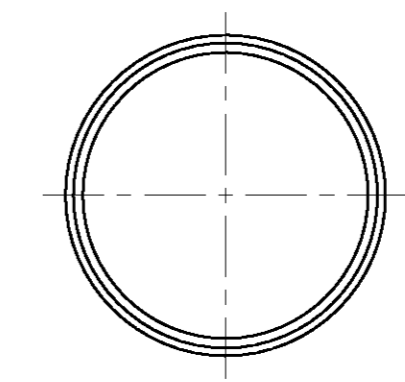
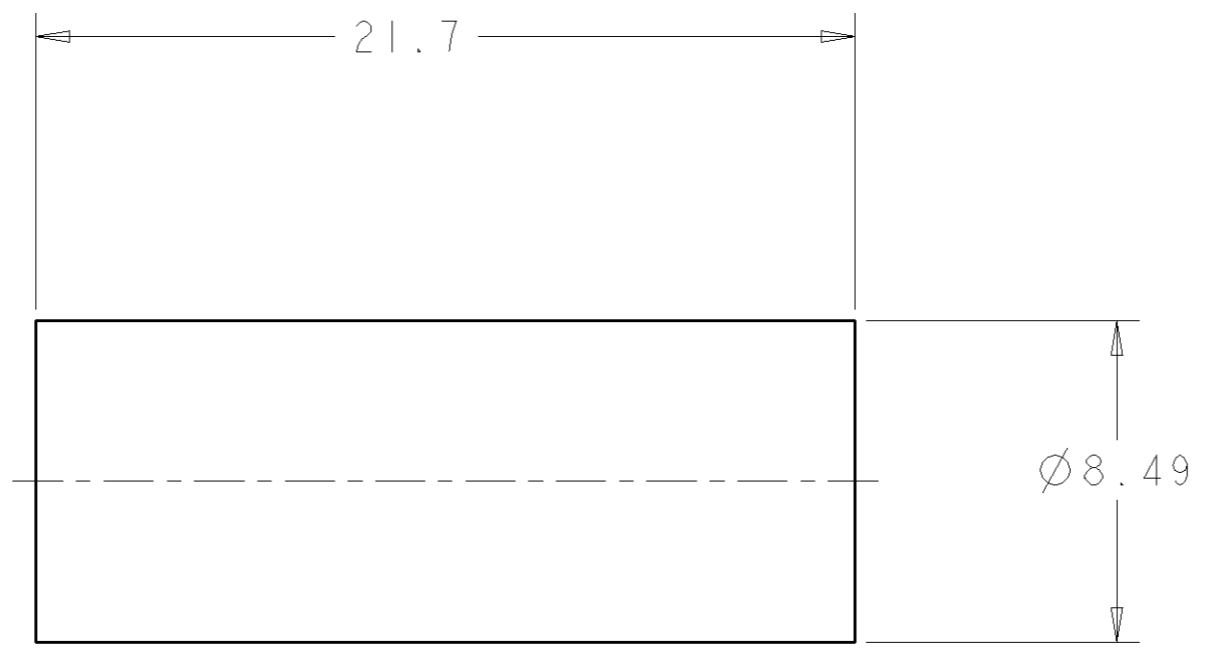
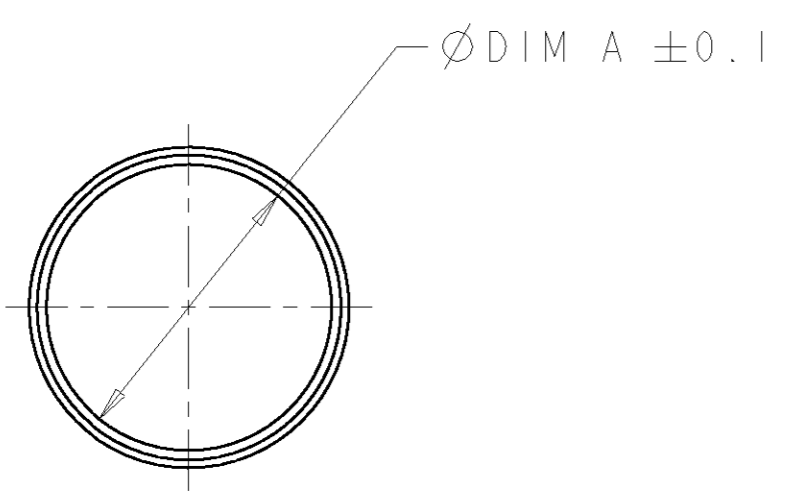
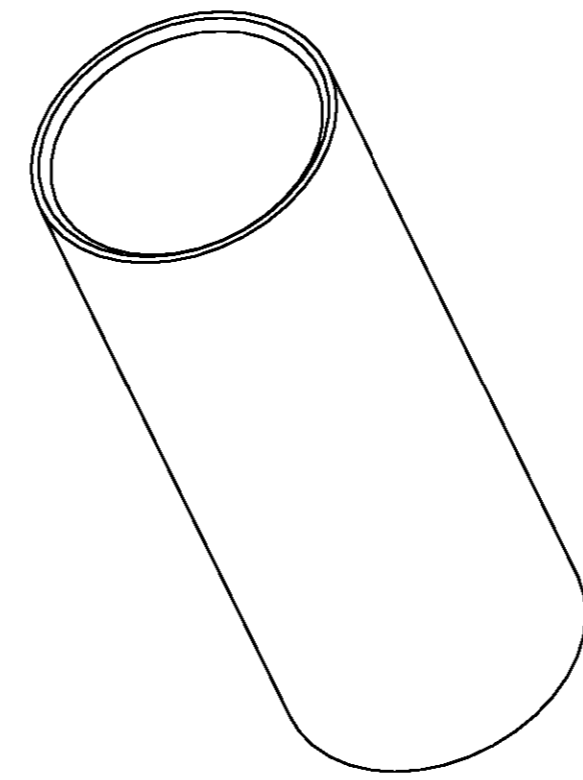
2

1

THIS DRAWING IS UNPUBLISHED.      RELEASED FOR PUBLICATION      20

© COPYRIGHT 20      BY TYCO ELECTRONICS CORPORATION. ALL RIGHTS RESERVED.

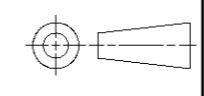
LOC	DIST	REVISIONS			
P	LTR	DESCRIPTION	DATE	DWN	APVD
	0	RELEASED PER 063B-0061-03	13-MAY-03	KW	JE



- 1. MATERIAL: COPPER
- 2. PLATING: SILVER

#4	7.57	1604072-3
#6	5.72	1604072-2
#8	4.75	1604072-1
WIRE RANGE	DIM A	PART NUMBER

METRIC

<small>THIS DRAWING IS A CONTROLLED DOCUMENT FOR TYCO ELECTRONICS CORPORATION. IT IS SUBJECT TO CHANGE AND THE CONTROLLING ENGINEERING ORGANIZATION SHOULD BE CONTACTED FOR THE LATEST REVISION.</small>		DWN <u>B. HAYMAKER</u> 03 JAN 2002 CHK <u>K. KETELSIEGER</u> 03 JAN 2002 APVD <u>K. KETELSIEGER</u> 03 JAN 2002	<b>tyco</b> <b>Electronics</b> Tyco Electronics Harrisburg, PA 17105-3608
DIMENSIONS: mm 	TOLERANCES UNLESS OTHERWISE SPECIFIED: 0 PLC ±0.13 1 PLC ±0.13 2 PLC ±0.13 3 PLC ±0.13 4 PLC ± ANGLES ± FINISH	PRODUCT SPEC APPLICATION SPEC WEIGHT CUSTOMER DRAWING	NAME <b>REDUCING BUSHING,          120 AMP POWER PRODUCT</b> SIZE CAGE CODE DRAWING NO RESTRICTED TO A2 00779 C-1604072 -
		SCALE 5:1	SHEET 1 OF 1 REV 0

# Mouser Electronics

Authorized Distributor

Click to View Pricing, Inventory, Delivery & Lifecycle Information:

[TE Connectivity:](#)

[1604072-3](#)