

1 2 3 4 5 6

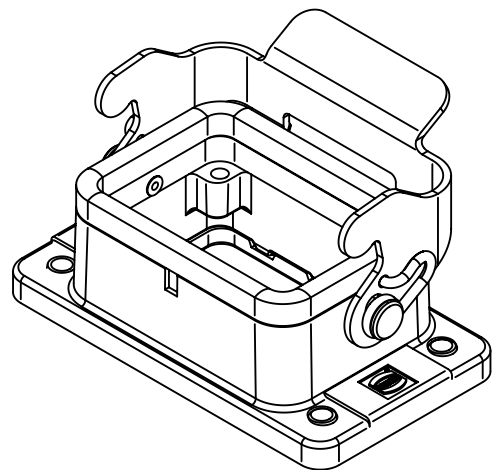
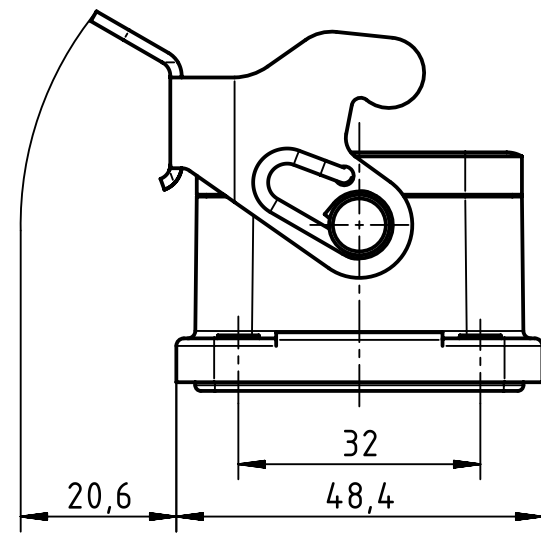
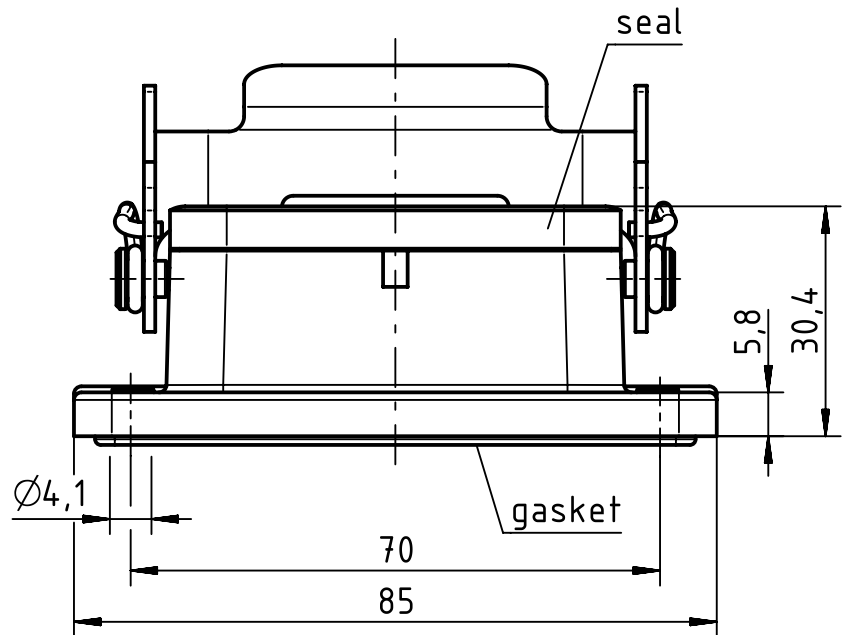
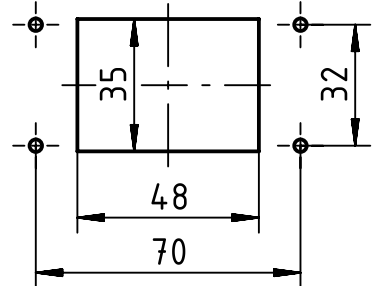
A

B

C

D

panel cut out (1:2)



	All rights reserved Department EL PD - DE HARTING Electric GmbH & Co. KG D-32339 Espelkamp	All Dimensions in mm Original Size DIN A4		Scale 1:1	Free size tol.		Ref. Sub.	
		Created by HOLLERT	Inspected by SPILKERN	Standardisation TIEMANNA	Date 2013-11-05	State Final Release		Doc-Key / ECM-Nr. 100527561/UGD/001/A 500000067351
Title Han High Temp 6B-agg-LB			Type TB		Number 09 62 806 0391		Rev. A	Page 1/1

Mouser Electronics

Authorized Distributor

Click to View Pricing, Inventory, Delivery & Lifecycle Information:

[HARTING:](#)

[09628060391](#)