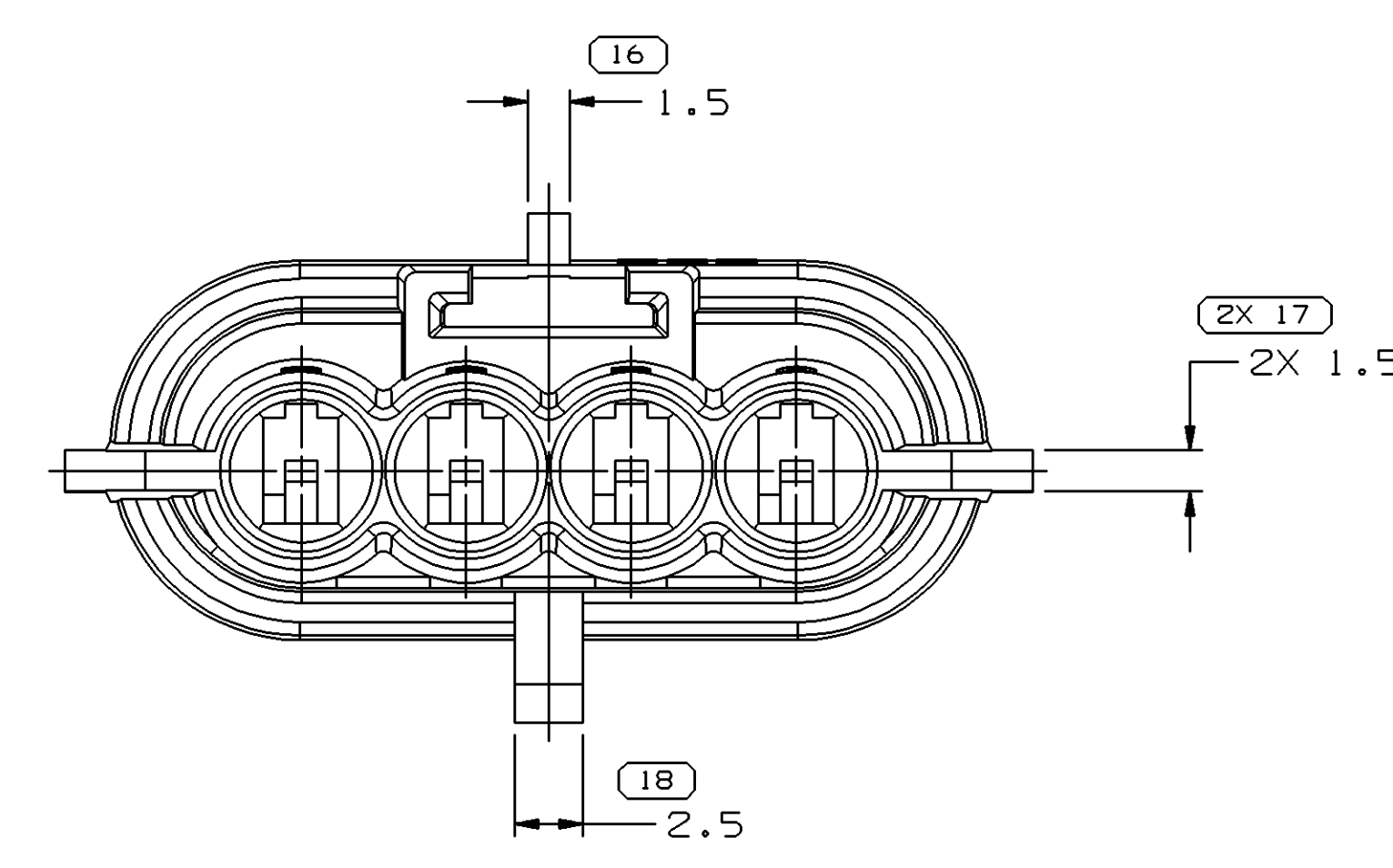
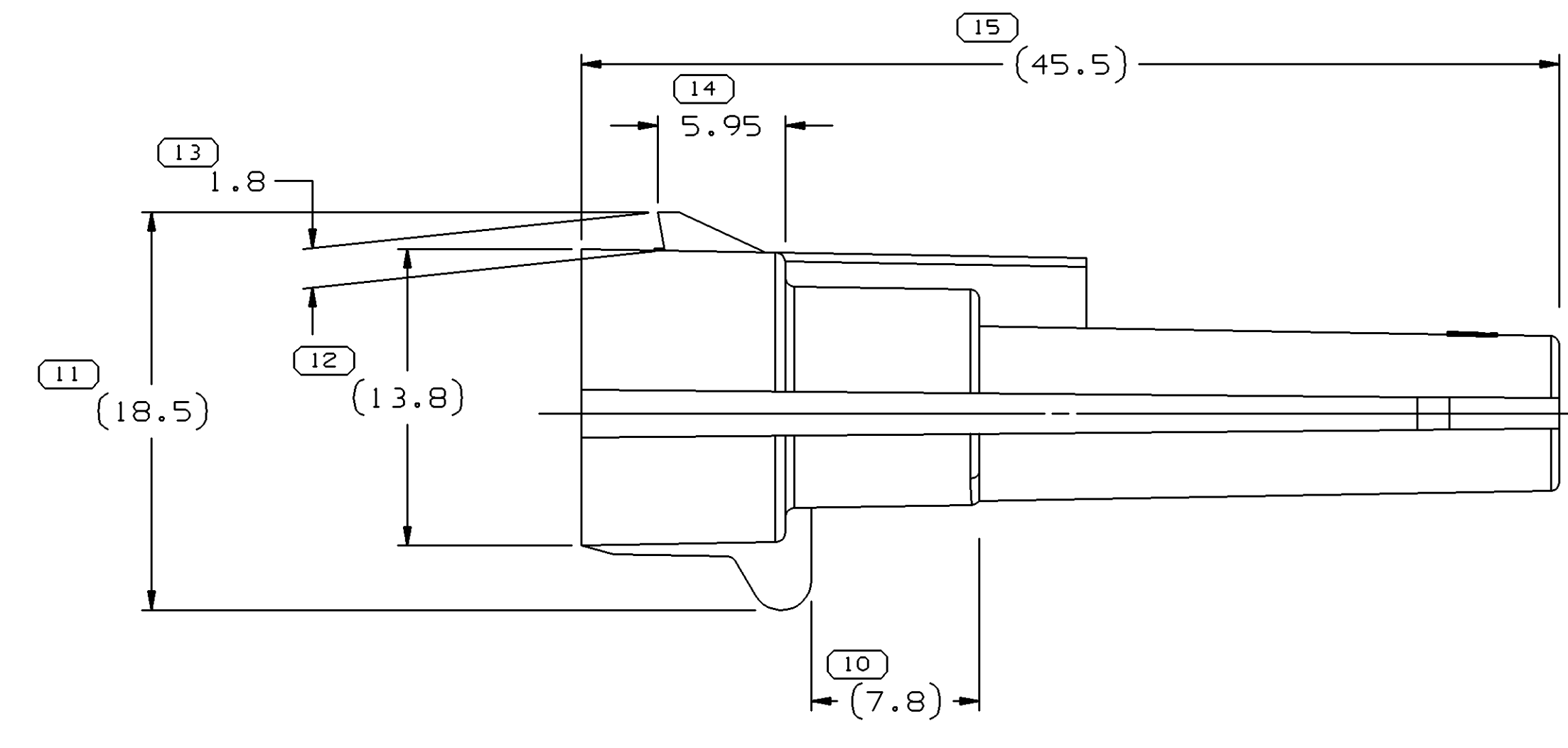
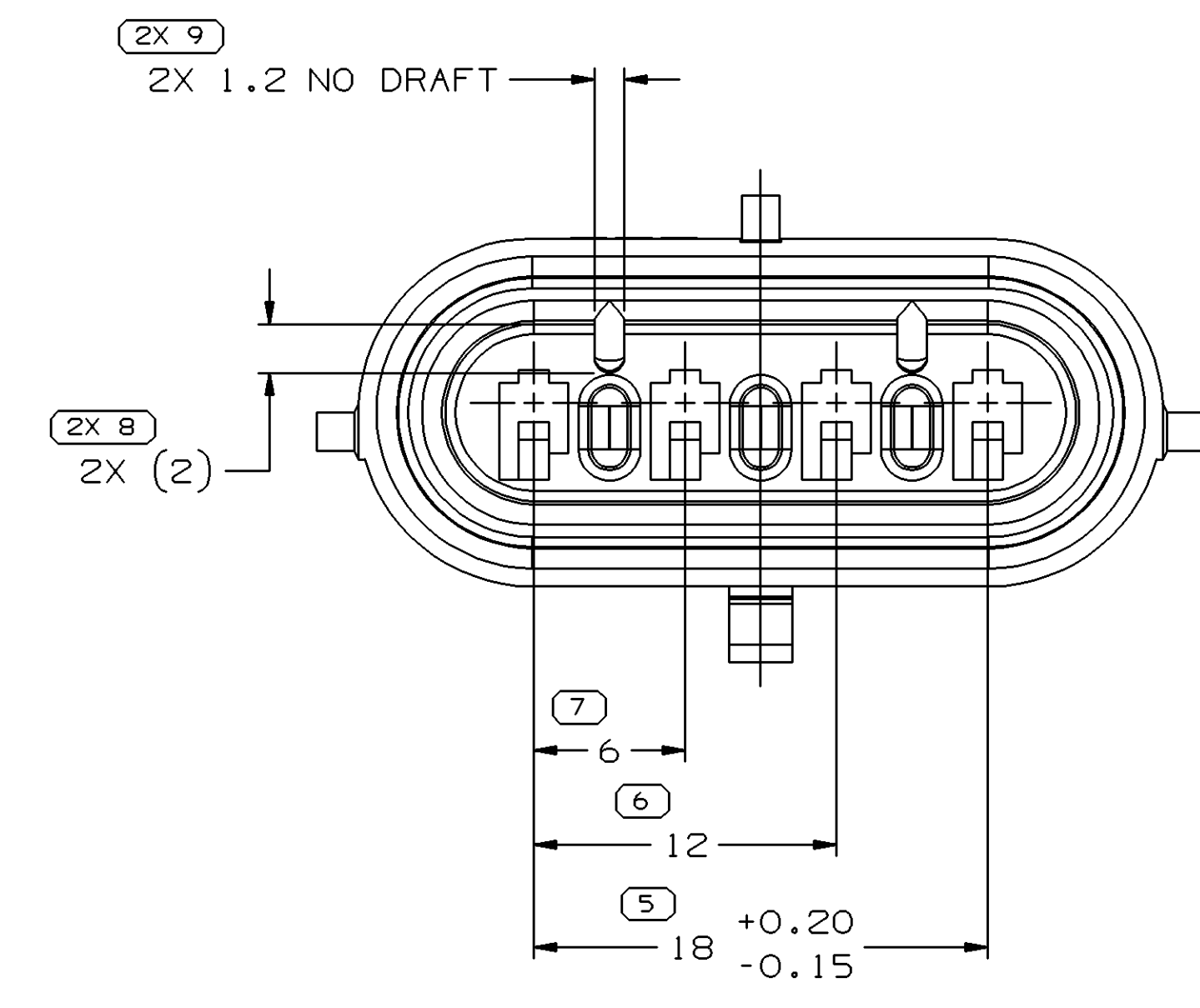
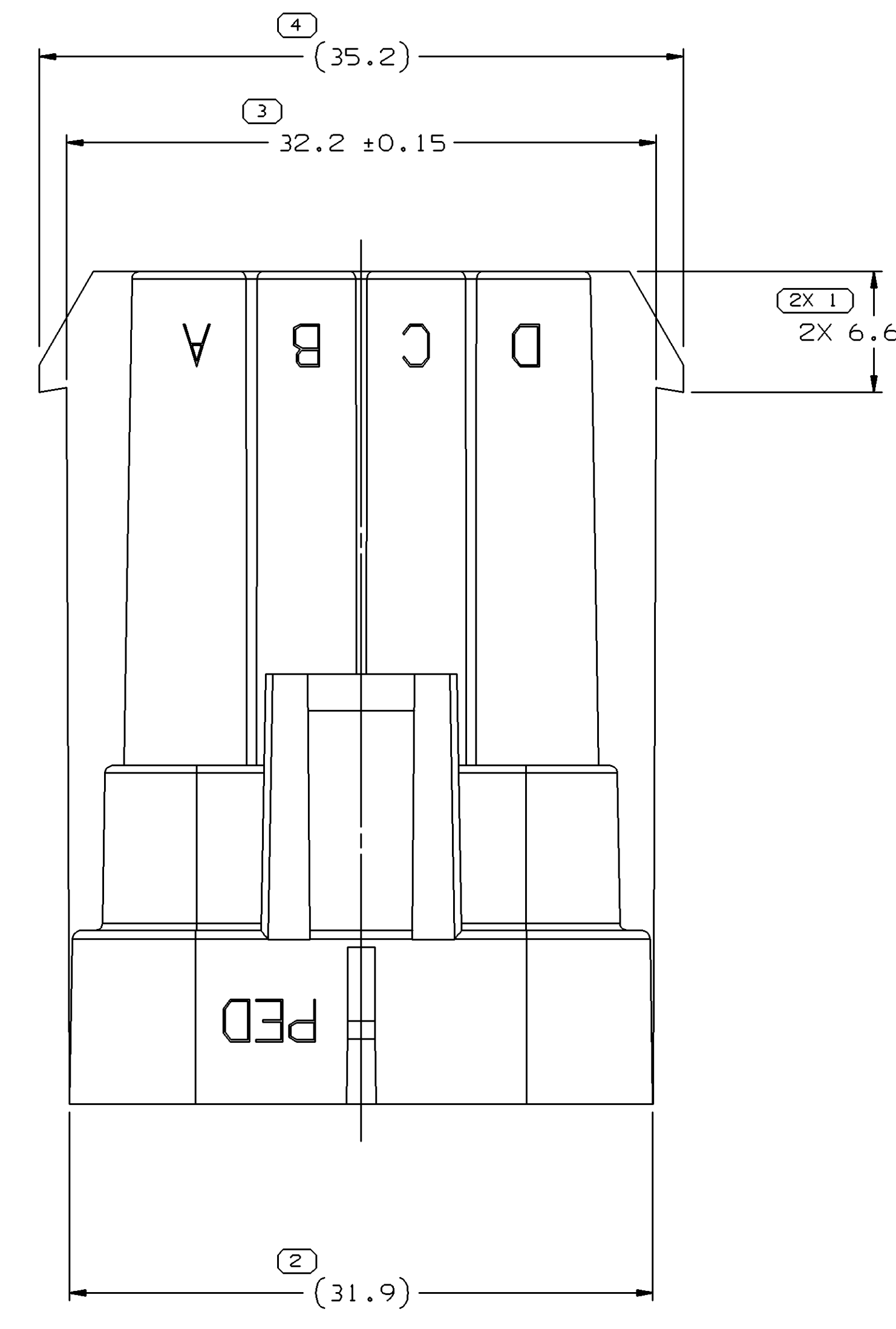
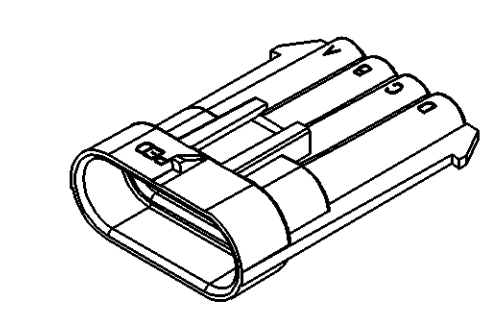


SYMBOL DEFINITION		MISSING SYMBOLS	
A DIMENSION WITHOUT AN INSPECTION REPORT SYMBOL DOES NOT REQUIRE INSPECTION. IT MAY BE CONTROLLED ON THE INDIVIDUAL COMPONENT DRAWING.	TOTAL NO OF INSPECTIONS REQUIRED	NO MISSING SYMBOL NUMBER	
	22		
	LAST NO. USED		
	18		

DWO STATUS					REVISION HISTORY					AUTH	DR	APVD	APVD	
DATE	STG	REV	N/P	CHG	ZONE									
15FE05	R	B2	-	-						CLEARED REV COLUMN, REDRAWN TO PD AND UPDATED MAT'L SPEC	264686	MDH	JAA	EST



- NOTES
- UNLESS OTHERWISE SPECIFIED AND/OR INDICATED: DIMENSIONS ARE TO FACE OF VIEW SHOWN AND AUTOMATICALLY ROUNDED BY COMPUTER FOR INSPECTION (SEE MATH MODEL FOR PRECISE DIMENSIONS). FOR ALL OTHER DIMENSIONS NOT SHOWN BUT REQUIRED FOR TOOL BUILD, SEE MATH MODEL FOR PRECISE TOOL PATH DATA.
  - REFERENCE MATING COMPONENTS OR EQUIVALENT: CONNECTOR ASM. 12186568
  - THIS PART ACCEPTS THE FOLLOWING COMPONENTS OR EQUIVALENT: TERMINAL 12045773, TERMINAL POSITION ASSURANCE LOCK 12047948
  - MATERIAL RECYCLING CODE PER ISO 11469 (2.3)X(0.1) RAISED CHARACTERS AS SHOWN TO BE LOCATED ON ANY EXTERIOR SURFACE. OPTIONAL CONSTRUCTION TO BE NO MATERIAL RECYCLING CODE.
  - (2.3)X(0.1) DELPHI CORPORATE BRAND TO BE LOCATED ON ANY EXTERIOR SURFACE, PREFERABLY VISIBLE AT FINAL ASSEMBLY. OPTIONAL CONSTRUCTION TO BE "PED" OR NO LOGO.



DWO TYPE: PART DRAWING		STYLE																									
VOLUME (CM <sup>3</sup> ): 5.481	DISTR CODE: D	UNLESS OTHERWISE SPECIFIED THIS DOCUMENT IS IN ACCORDANCE WITH ASME Y14.5M-1994 AS AMENDED BY THE 2003 DIMENSIONING AND TOLERANCING ADDENDUM (2003). SEPARATE PATTERNING OF FEATURES MAY BE GIVEN SEPARATELY REGARDLESS OF DATUM REFERENCES.																									
ALL DIMENSIONS ARE IN MILLIMETERS		THIRD ANGLE PROJECTION																									
<p>3 PROCESS SENSITIVE DIMENSION</p> <p>DIMENSIONS ENCLOSED IN ( ) INDICATE RETIRED, DIMENSIONING AND NO TOLERANCE LIMITS ARE ESTABLISHED</p>		DO NOT SCALE																									
<table border="1"> <thead> <tr> <th>DIMENSIONAL RANGE (MM)</th> <th>CHART ET</th> </tr> </thead> <tbody> <tr> <td>FROM &gt; 0</td> <td>&gt; 20</td> </tr> <tr> <td>TO &gt; 20</td> <td>&gt; 30</td> </tr> <tr> <td>&gt; 30</td> <td>&gt; 70</td> </tr> <tr> <td>&gt; 70</td> <td>&gt; 100</td> </tr> <tr> <td>&gt; 100</td> <td>&gt; 150</td> </tr> <tr> <td>&gt; 150</td> <td>&gt; 200</td> </tr> <tr> <td>&gt; 200</td> <td>&gt; 250</td> </tr> <tr> <td>&gt; 250</td> <td>&gt; 300</td> </tr> <tr> <td>&gt; 300</td> <td>&gt; 400</td> </tr> </tbody> </table>		DIMENSIONAL RANGE (MM)	CHART ET	FROM > 0	> 20	TO > 20	> 30	> 30	> 70	> 70	> 100	> 100	> 150	> 150	> 200	> 200	> 250	> 250	> 300	> 300	> 400	USE MATH DATA					
DIMENSIONAL RANGE (MM)	CHART ET																										
FROM > 0	> 20																										
TO > 20	> 30																										
> 30	> 70																										
> 70	> 100																										
> 100	> 150																										
> 150	> 200																										
> 200	> 250																										
> 250	> 300																										
> 300	> 400																										
<table border="1"> <thead> <tr> <th>FROM</th> <th>TO</th> <th>TOLERANCE UNLESS OTHERWISE SPECIFIED</th> </tr> </thead> <tbody> <tr> <td>10, 15</td> <td>19, 21</td> <td>±0.3</td> </tr> <tr> <td>20</td> <td>30</td> <td>±0.4</td> </tr> <tr> <td>30</td> <td>40</td> <td>±0.5</td> </tr> <tr> <td>40</td> <td>50</td> <td>±0.6</td> </tr> <tr> <td>50</td> <td>60</td> <td>±0.8</td> </tr> <tr> <td>60</td> <td>70</td> <td>±1</td> </tr> <tr> <td>70</td> <td>80</td> <td>±1.2</td> </tr> </tbody> </table>		FROM	TO	TOLERANCE UNLESS OTHERWISE SPECIFIED	10, 15	19, 21	±0.3	20	30	±0.4	30	40	±0.5	40	50	±0.6	50	60	±0.8	60	70	±1	70	80	±1.2		
FROM	TO	TOLERANCE UNLESS OTHERWISE SPECIFIED																									
10, 15	19, 21	±0.3																									
20	30	±0.4																									
30	40	±0.5																									
40	50	±0.6																									
50	60	±0.8																									
60	70	±1																									
70	80	±1.2																									

**DELPHI**  
DELPHI PACKARD ELECTRIC SYSTEMS  
WARREN, OH

DR	DATE
APVD1 JOSE HUERTA	03AU95
APVD2 W. TURNBULL	08AU95
APVD3 TOM DUTTLE	06FE96
APVD4	
APVD5	

SUBSTANCES OF CONCERN AND RECYCLED CONTENT PER DELPHI 10949001

MATERIAL: M208003 PBT GF30 MS GRA

DRAWING NAME: CONN 4 M M/P 150 GRA SLD

DRAWING NUMBER: 12186271

SIZE: A0 SCALE: 4:1 FRAME NO: 1 OF 1 SHEET NO: 1 OF 1 STG REV: R B2

# Mouser Electronics

Authorized Distributor

Click to View Pricing, Inventory, Delivery & Lifecycle Information:

[Aptiv:](#)

[12186271](#)