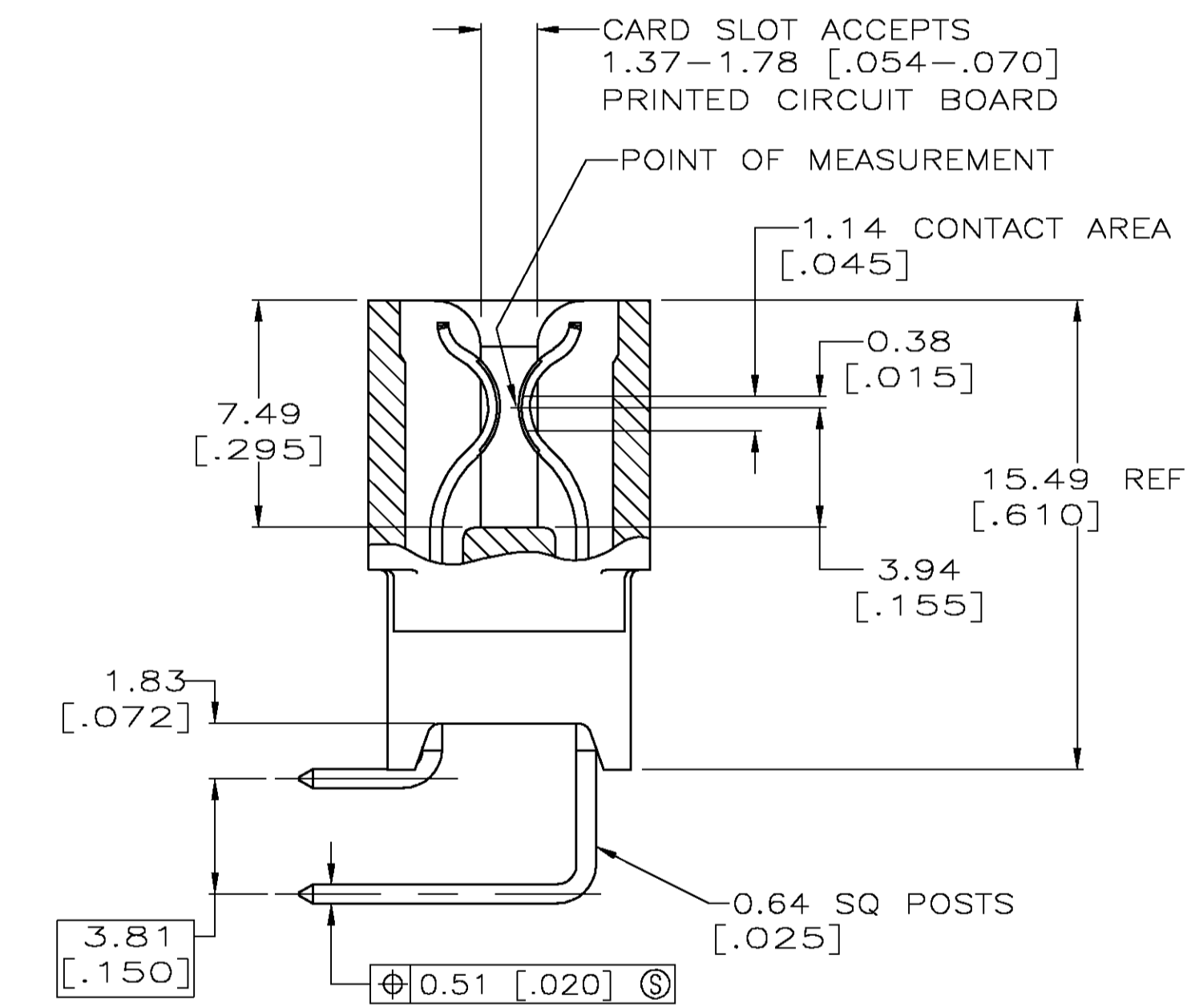
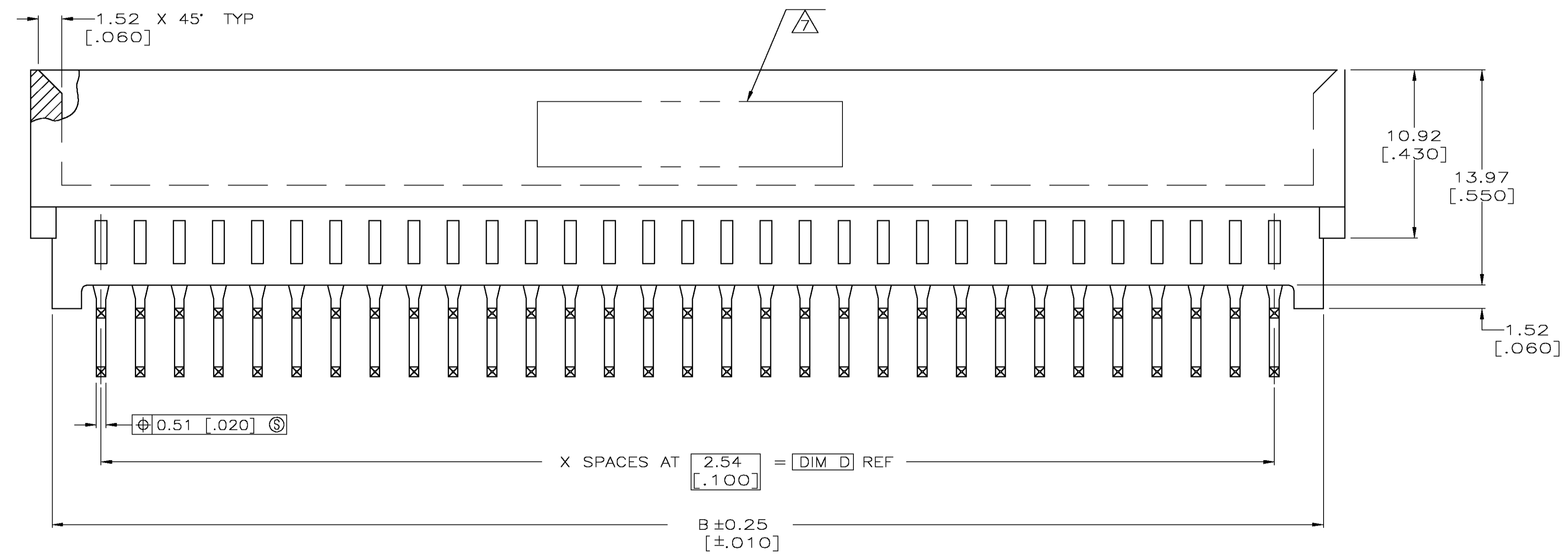


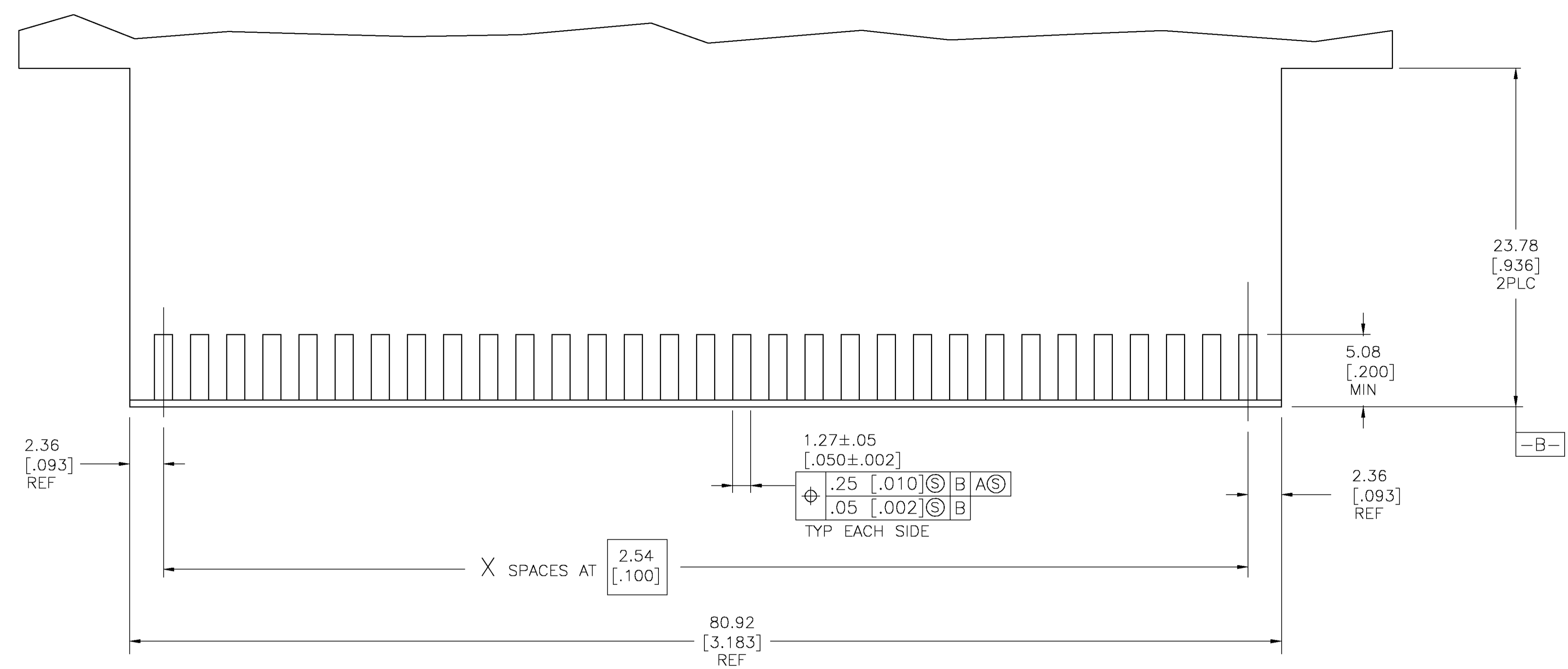
- ① HOUSING: GLASS FILLED POLYESTER; COLOR: BLACK.
- ② CONTACT: PHOSPHOR BRONZE.
- ③ NICKEL UNDERPLATE: 0.00127 [.000050] MIN - ALL OVER.
- ④ MATTE TIN PLATE: 0.00254 [.000100] MIN - SOLDER POSTS.
- ⑤ GOLD PLATE: 0.00038 [.000015] MIN - CONTACT AREA.
- ⑥ NICKEL PLATE PER MIL-C-45204.
GOLD PLATE PER QQ-N-290.
- ⑦ AMP PART NUMBER AND DATE CODE ARE MARKED IN APPROXIMATE AREA SHOWN, EITHER SIDE.
- ⑧ DATUMS AND BASIC DIMENSIONS ESTABLISHED BY CUSTOMER.
PIN 1 LOCATION AND DESIGNATION ESTABLISHED BY CUSTOMER.



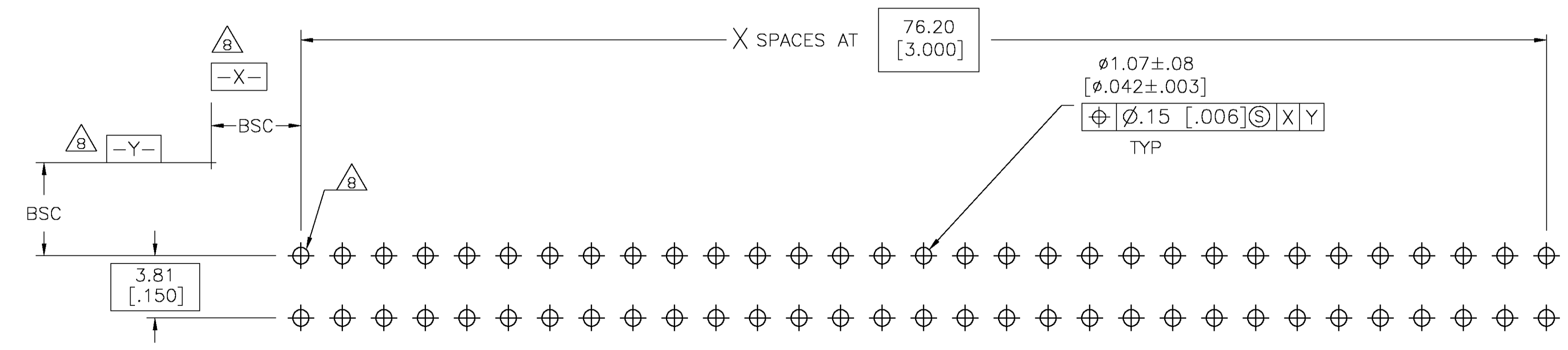
45.72 [1.800]	50.80 [2.000]	52.07 [2.050]	54.864 [2.160]	18	19	5532600-6
78.74 [3.100]	83.82 [3.300]	85.09 [3.350]	87.88 [3.460]	31	32	5532600-5
76.20 [3.000]	81.28 [3.200]	82.55 [3.250]	85.34 [3.360]	30	31	5532600-4
60.96 [2.400]	66.04 [2.600]	67.31 [2.650]	70.10 [2.760]	24	25	5532600-2
D	C	B	A	X	NO OF POSN	PART NUMBER

THIS DRAWING IS A CONTROLLED DOCUMENT.

DIMENSIONS: mm 	TOLERANCES UNLESS OTHERWISE SPECIFIED: 0 PLC ± - 1 PLC ± - 2 PLC ± ± 0.13[.005] 3 PLC ± ± - 4 PLC ± ± - ANGLES ± ± Z	AL FRANTUM 18 OCT 04 AL FRANTUM 18 OCT 04 AL FRANTUM 18 OCT 04 PRODUCT SPEC 108-9039 APPLICATION SPEC - MATERIAL FINISH	Tyco Electronics Corporation Harrisburg, Pa 17105-3608 NAME CONNECTOR ASSEMBLY, STD EDGE II, 2.54 [.100] x 3.81 [.150], RIGHT ANGLE SIZE A1 CAGE CODE 00779 DRAWING NO 5532600 RESTRICTED TO - WEIGHT - CUSTOMER DRAWING SCALE 5:1 SHEET 1 OF 2 REV B
-----------------------	--	---	--



RECOMMENDED MATING BOARD EDGE CONFIGURATION
 -4 CONFIGURATION SHOWN



RECOMMENDED PC BOARD HOLE LAYOUT
 -4 CONFIGURATION SHOWN

THIS DRAWING IS A CONTROLLED DOCUMENT.		DNW	AL FRANTUM	18 OCT 04	Tyco Electronics Corporation Harrisburg, Pa 17105-3608
		CHK	AL FRANTUM	18 OCT 04	
DIMENSIONS: mm		TOLERANCES UNLESS OTHERWISE SPECIFIED:		NAME	
		0 PLC	±	-	PRODUCT SPEC
		1 PLC	±	-	108-9039
		2 PLC	±	0.13[.005]	APPLICATION SPEC
		3 PLC	±	-	
MATERIAL SEE SHEET 1		FINISH SEE SHEET 1		SIZE	CAGE CODE
				A1	00779
				DRAWING NO	5532600
				RESTRICTED TO	-
				CUSTOMER DRAWING	SCALE 5:1
					SHEET 2 OF 2
					REV B

Mouser Electronics

Authorized Distributor

Click to View Pricing, Inventory, Delivery & Lifecycle Information:

[TE Connectivity:](#)

[5532600-5](#)