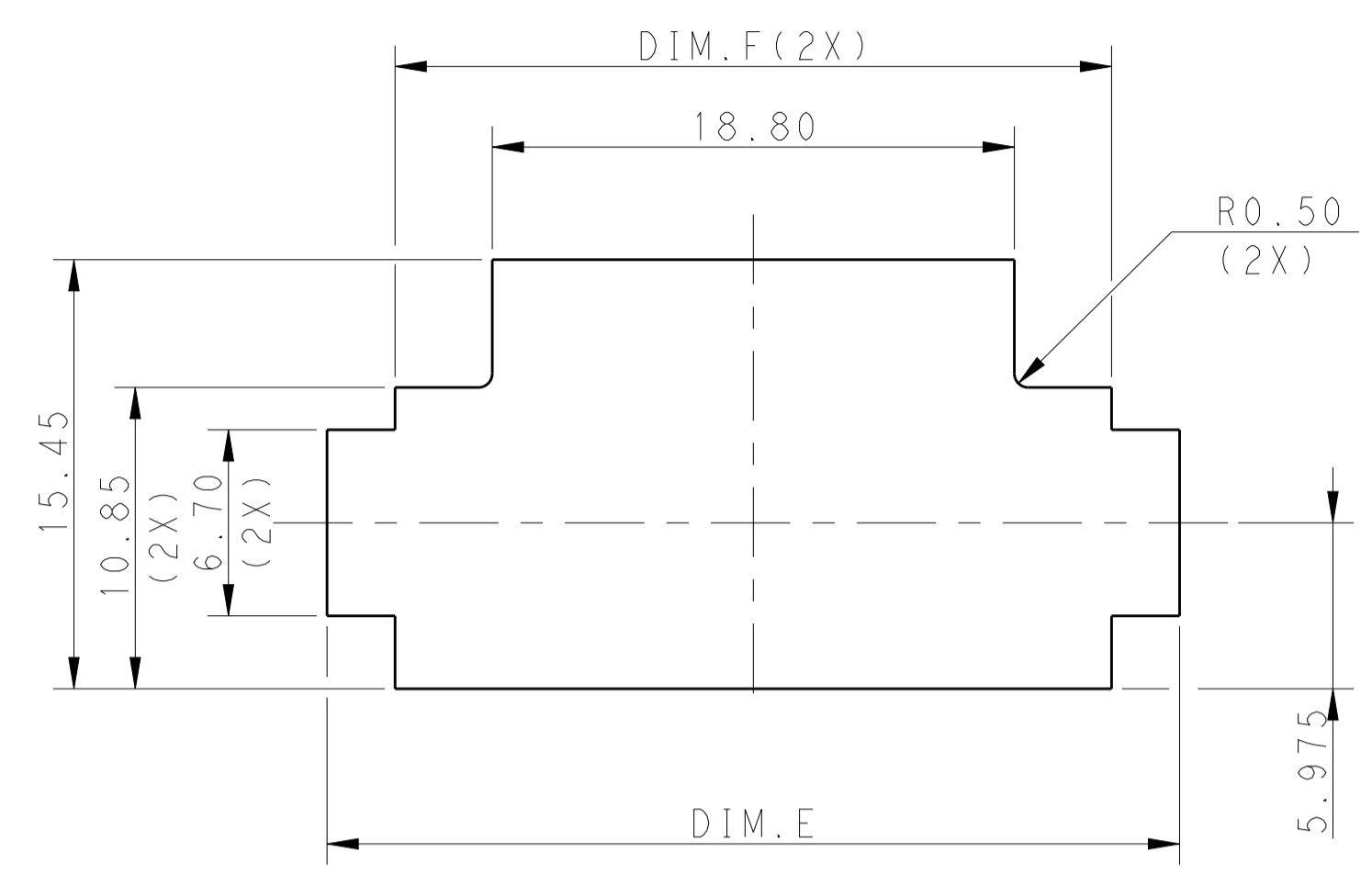
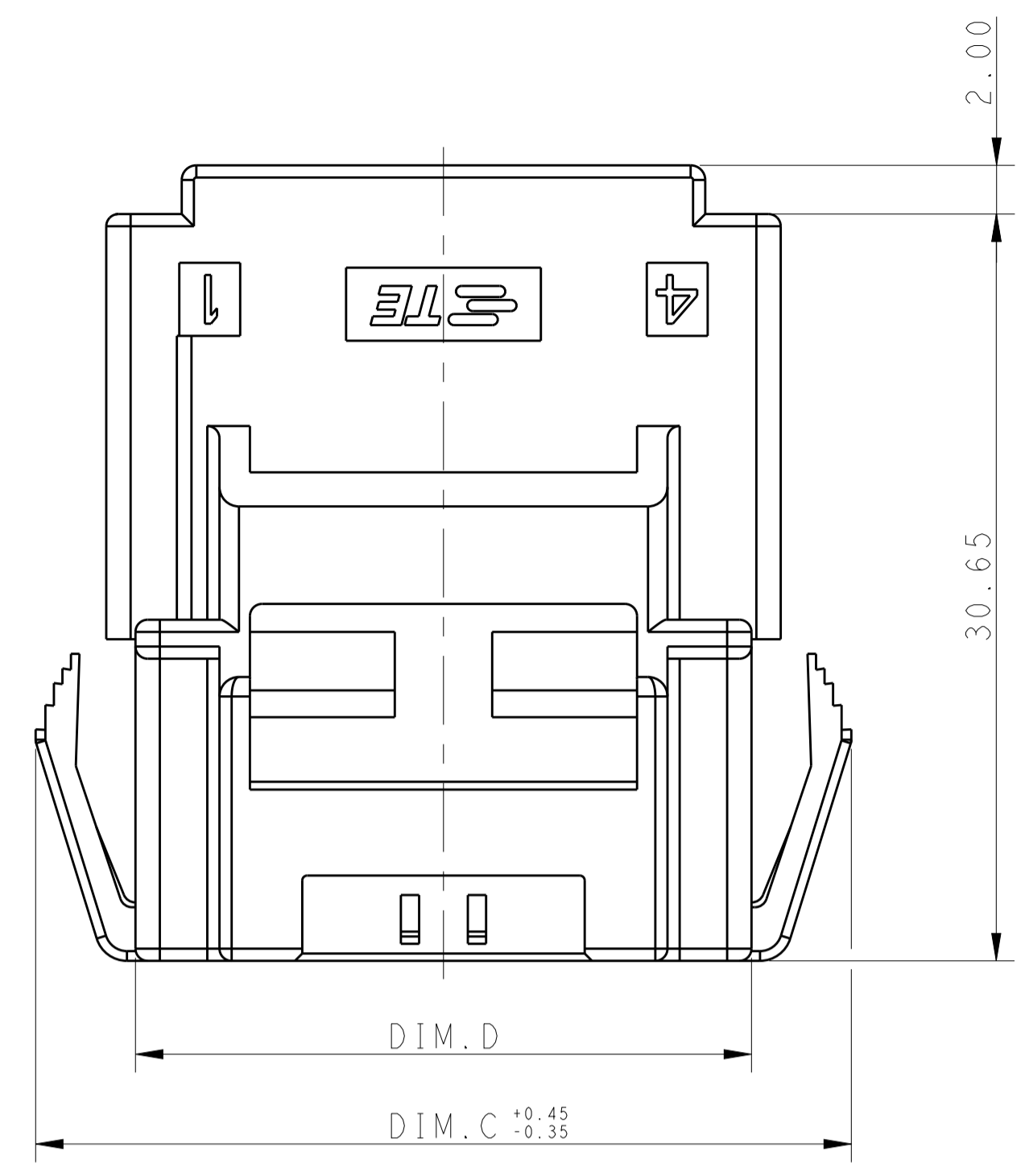


LOC		DIST		REVISIONS			
P	LTN	DESCRIPTION	DATE	DWN	APVD		
	C	REVISED PER ECR-16-003247	14JUL2016	BW	GJ		

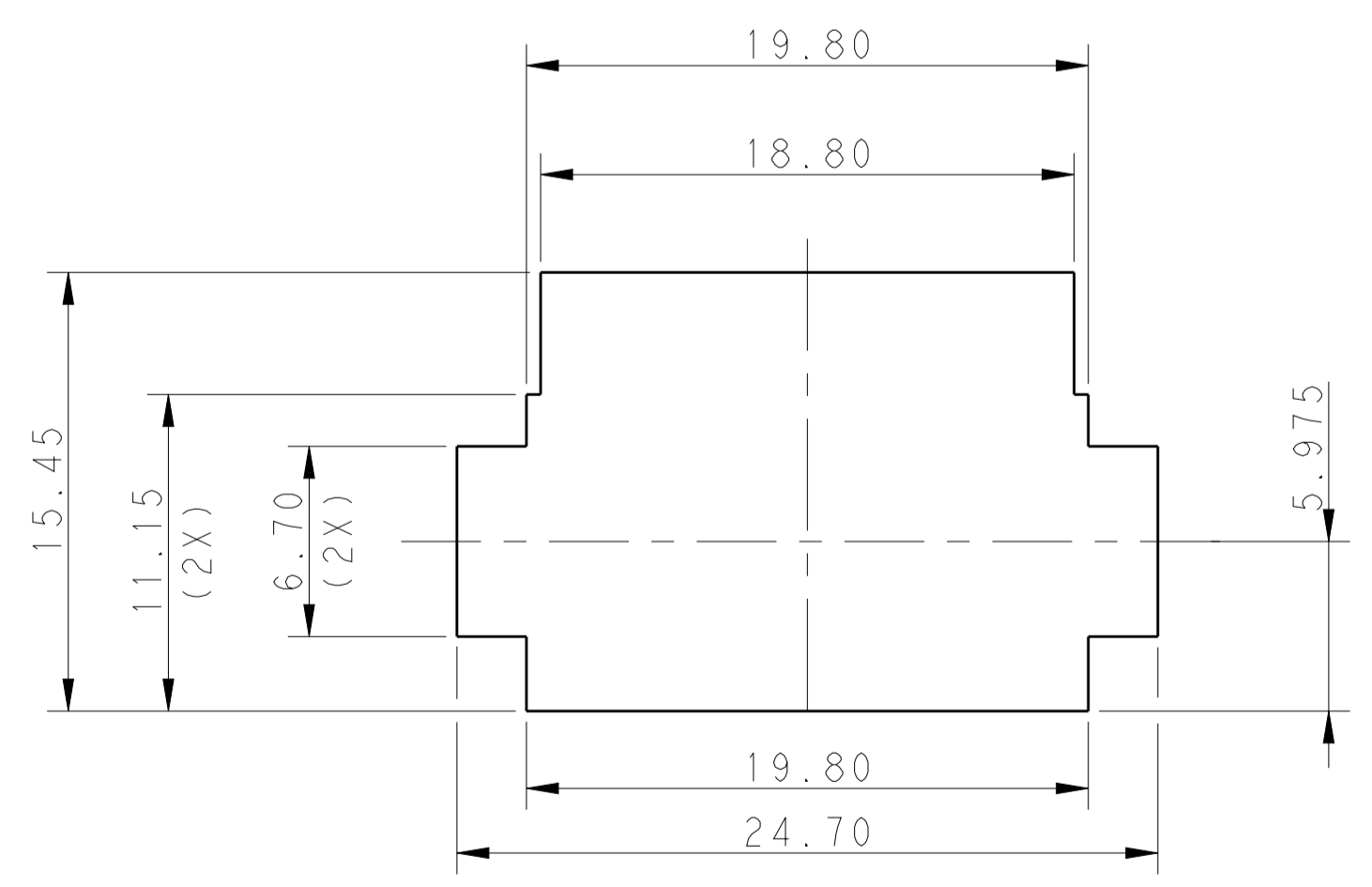
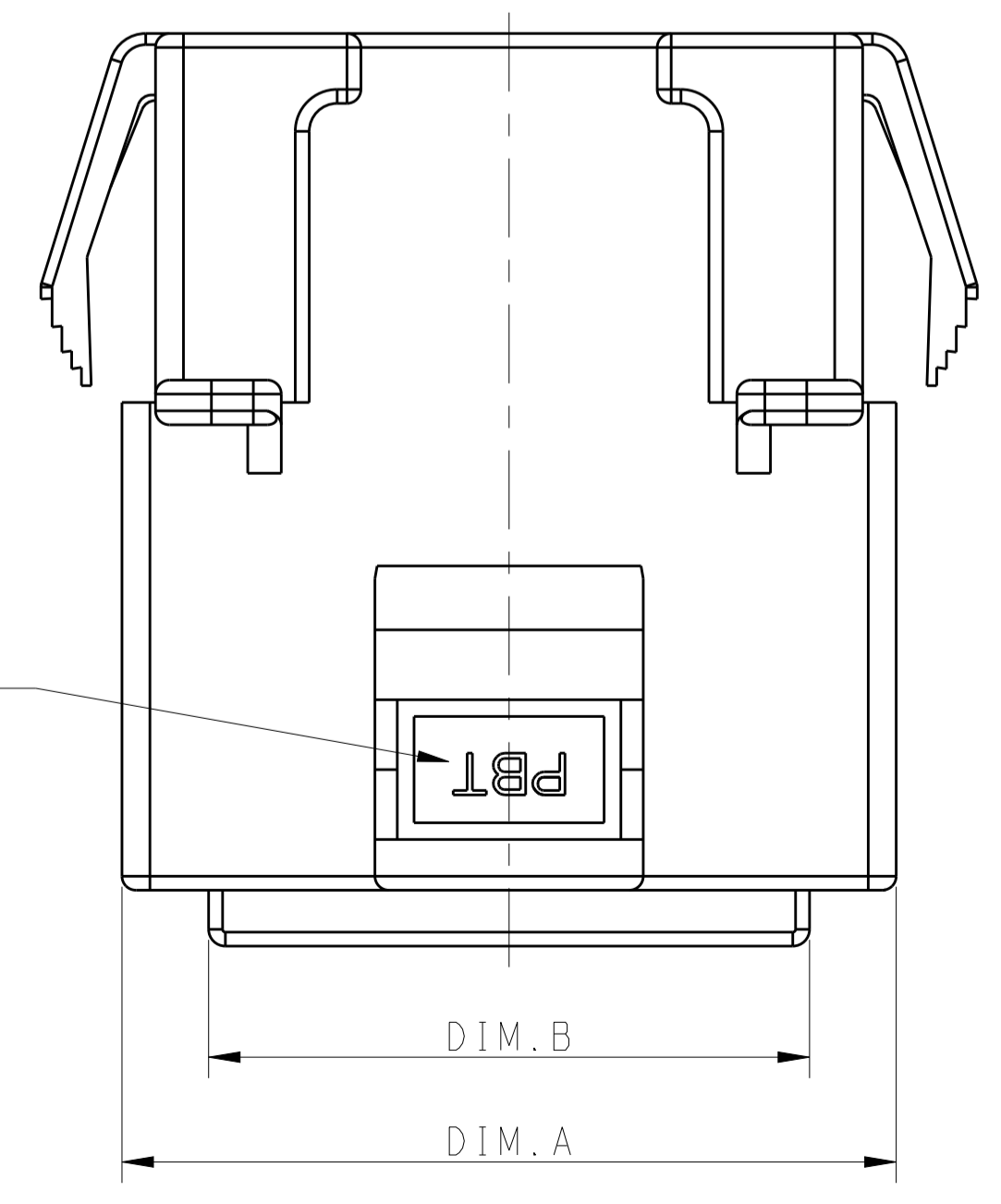
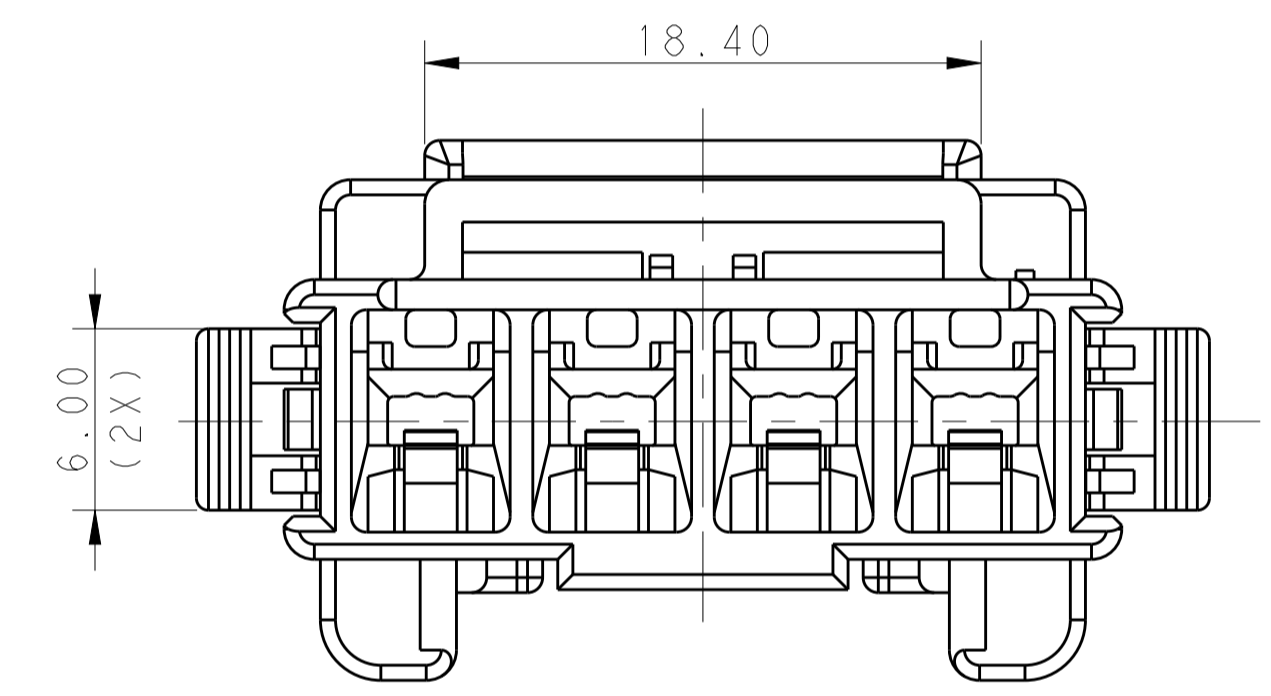
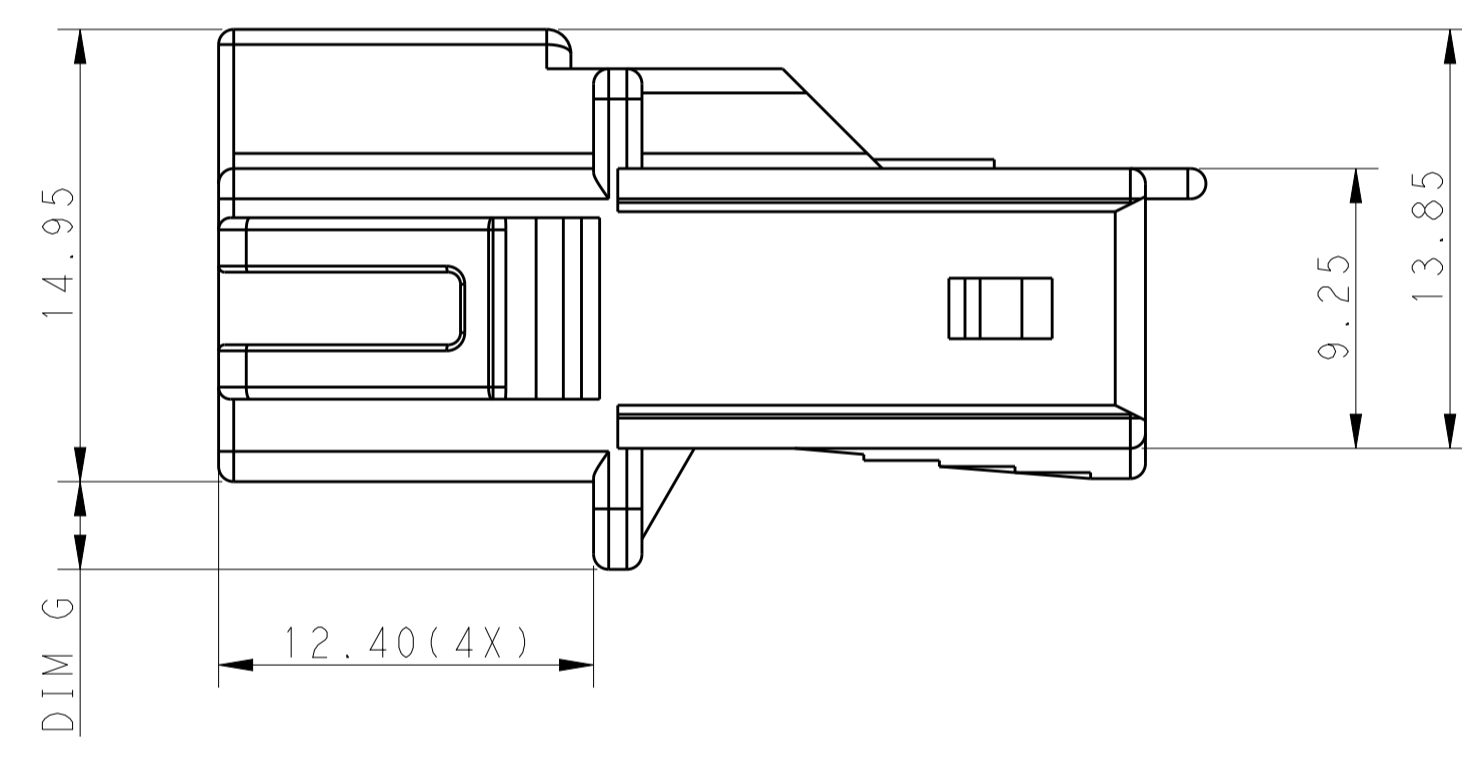
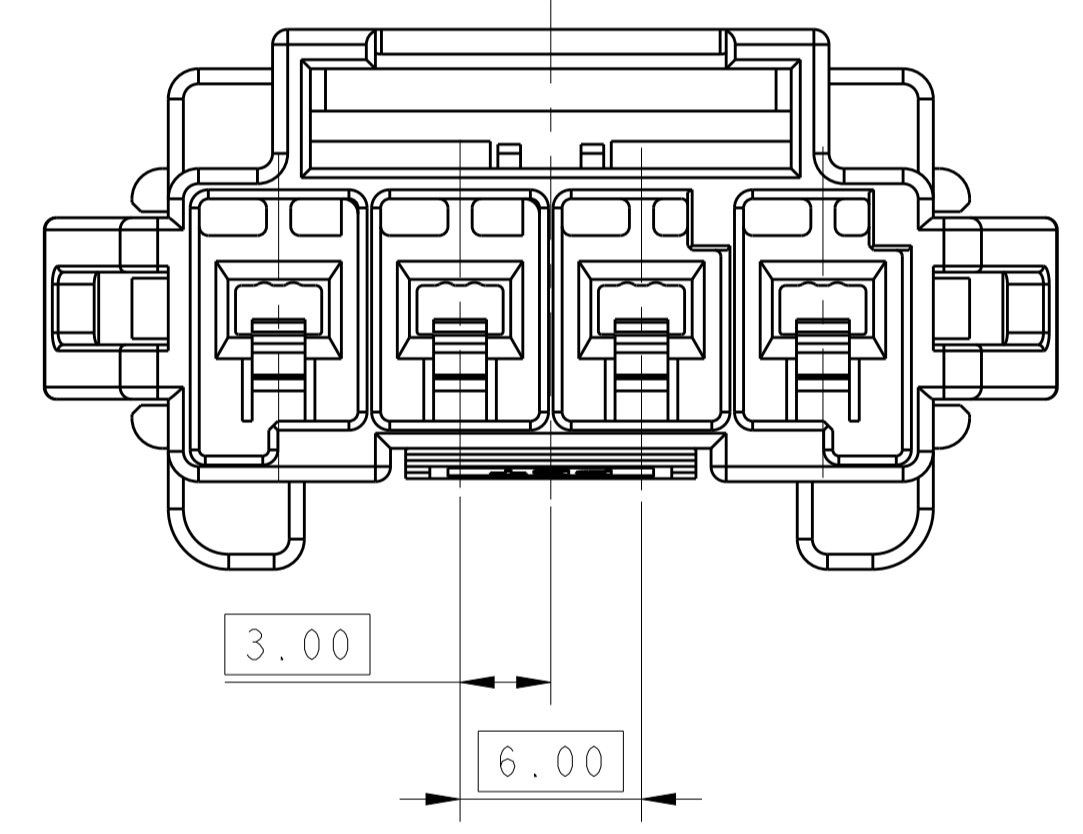


RECOMMENDED PANEL OPENING DIMENSIONS FOR CAP HOUSING 1*5 AND 1*4 POSITIONS (TOLERANCE: ±0.15mm)

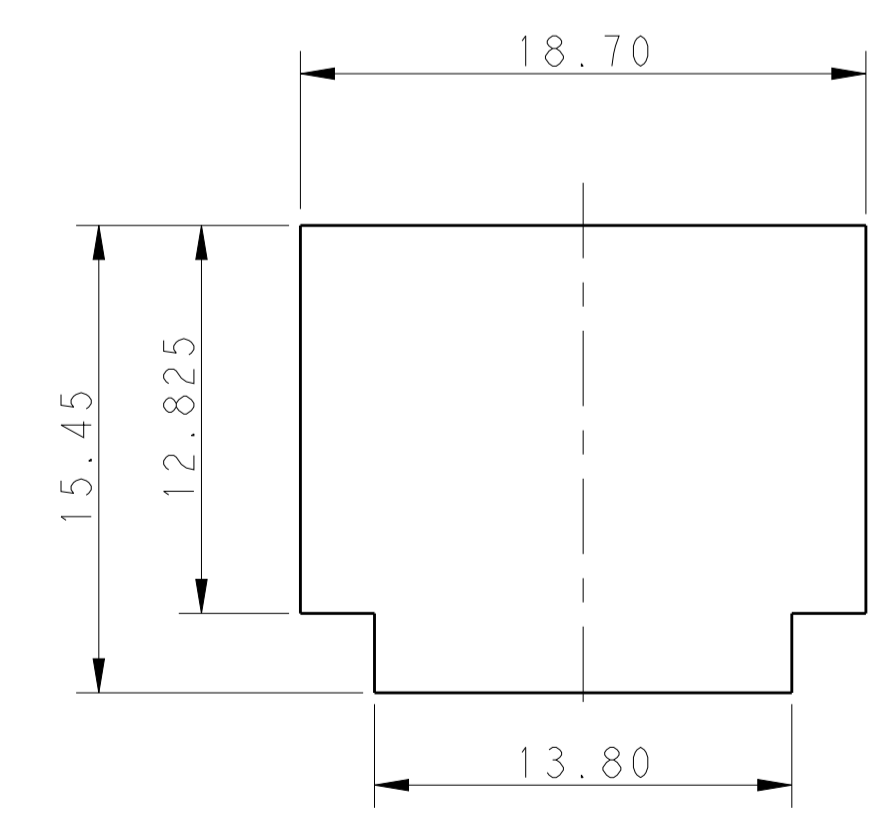
△ MATERIAL:
 LEVEL 1:PBT, STANDARD TEMPERATURE 105°C
 KEY A:NATURAL; KEY B:PURPLE; KEY C:BLUE; KEY D:YELLOW
 LEVEL 2:NYLON, HIGH TEMPERATURE 150°C
 KEY A:LIGHT GREY; KEY B:RED; KEY C:BLACK; KEY D:NATURAL

- △ MATERIAL MARK:
 LEVEL 1:PBT, LEVEL 2:HDT
- 3 APPLICABLE CONTACT P/N
 TAB CONTACT:1971238/1971780/82/84/86/88-*,2238067-*
- 4 MATING CONN, P/N
 PLUG HSG:*-1971773-
 TPA (LOCK PLATE):*-1971777-*
- 5 RECOMMENDED PANEL THICKNESS:1.0-2.0mm

6 THIS PRODUCT HAS NOT COMPLETED VALIDATION TESTING



RECOMMENDED PANEL OPENING DIMENSIONS FOR CAP HOUSING 1*3 POSITION (TOLERANCE: ±0.15mm)



RECOMMENDED PANEL OPENING DIMENSIONS FOR CAP HOUSING 1*2 POSITION (TOLERANCE: ±0.15mm)

POS	A	B	C	D	E	F	G
1*5	33.70	27.50	39.5	31.30	36.70	31.80	2.9
1*4	27.70	21.50	33.5	25.30	30.70	25.80	2.9
1*3	21.70	15.50	27.5	19.30			2.5
1*2	15.70	9.50	21.5	13.30			1.1

THIS DRAWING IS A CONTROLLED DOCUMENT.

DIMENSIONS: mm

TOLERANCES UNLESS OTHERWISE SPECIFIED:

0 PLC	±
1 PLC	±0.35
2 PLC	±0.25
3 PLC	±
4 PLC	±
ANGLES	±

MATERIAL: PBT

FINISH: -

Customer Drawing

DWN: TOMMY WU 06JUL2012
 CHK: HAPYE WU 06JUL2012
 APVD: YUHONG MAO 06JUL2012

NAME: CAP HOUSING, PANEL MOUNT, SINGLE ROW POWER TRIPLE LOCK

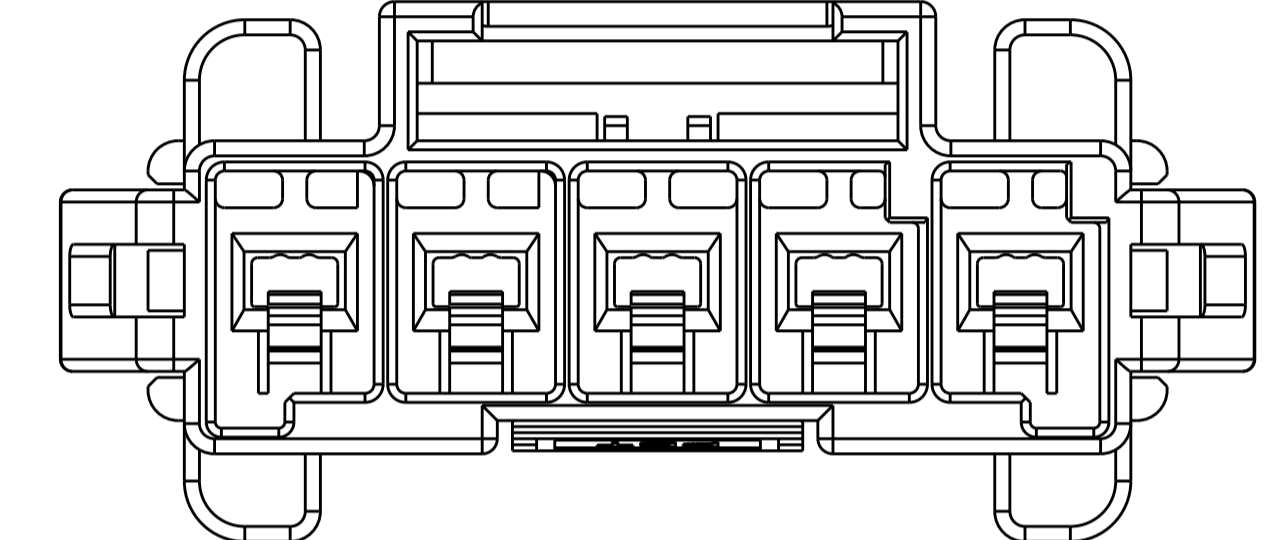
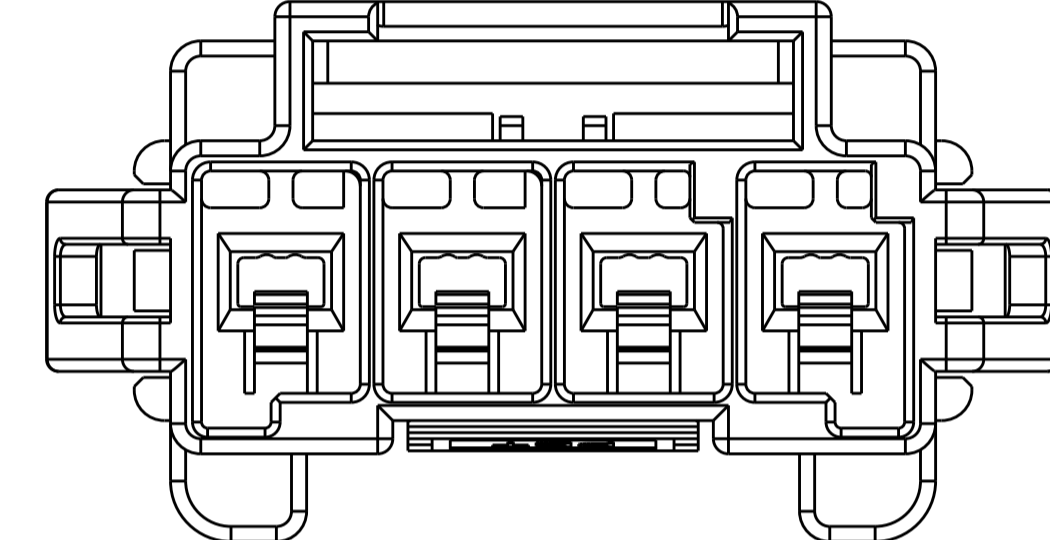
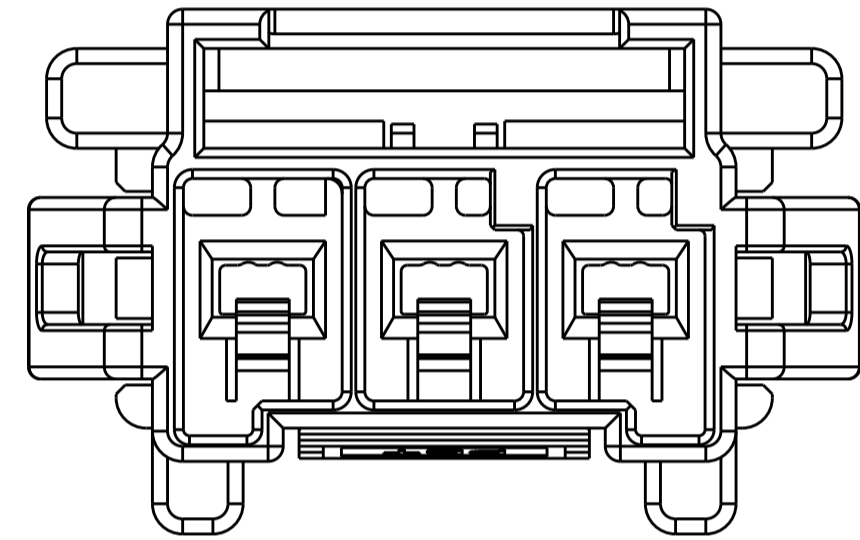
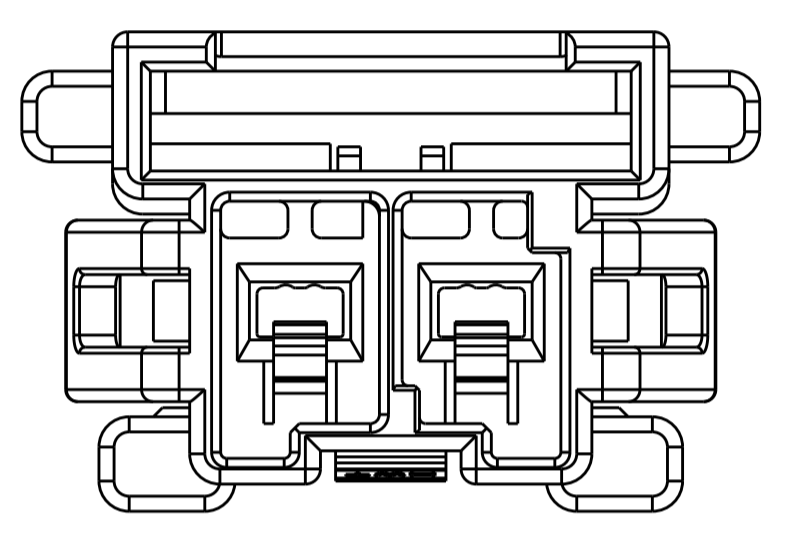
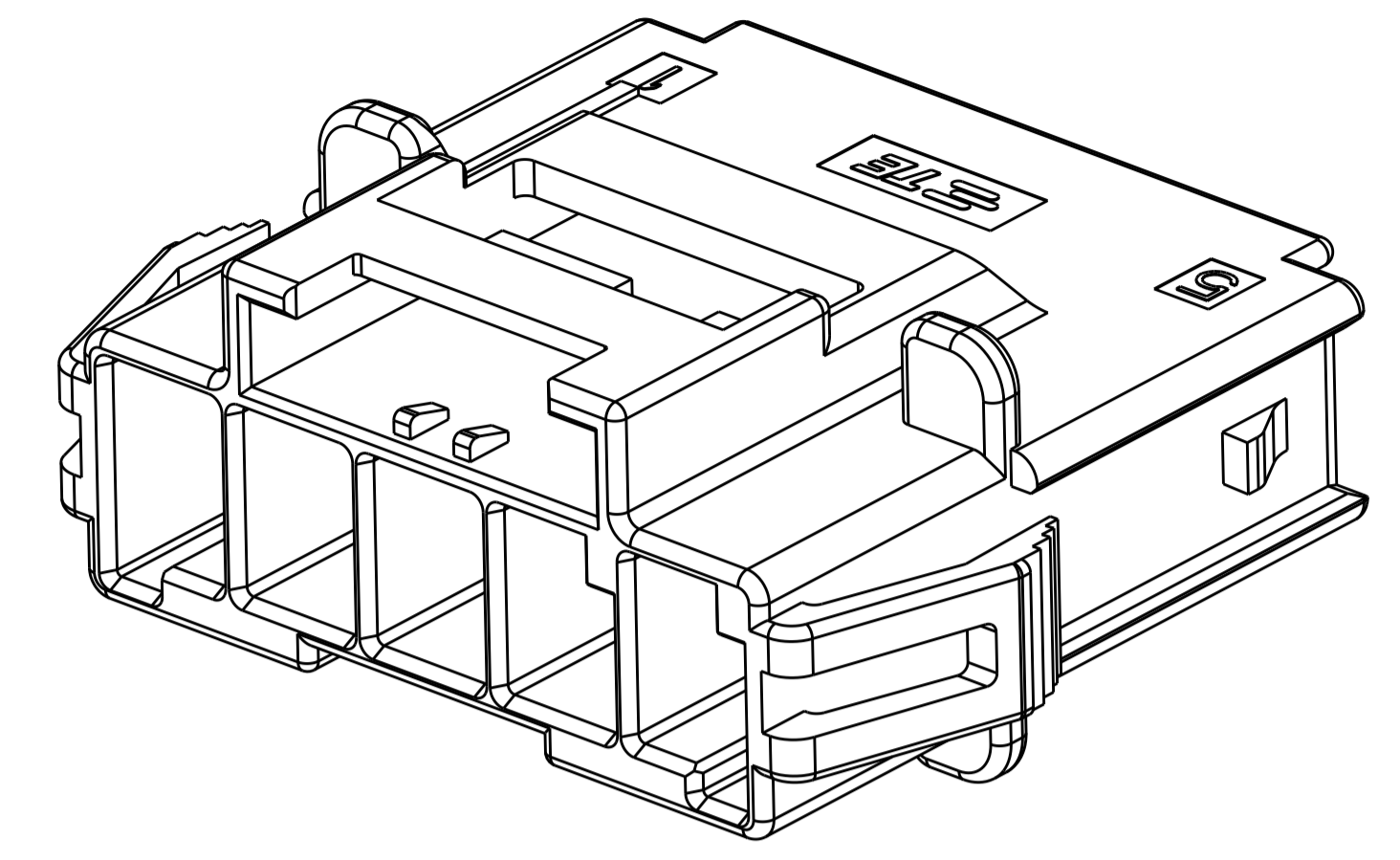
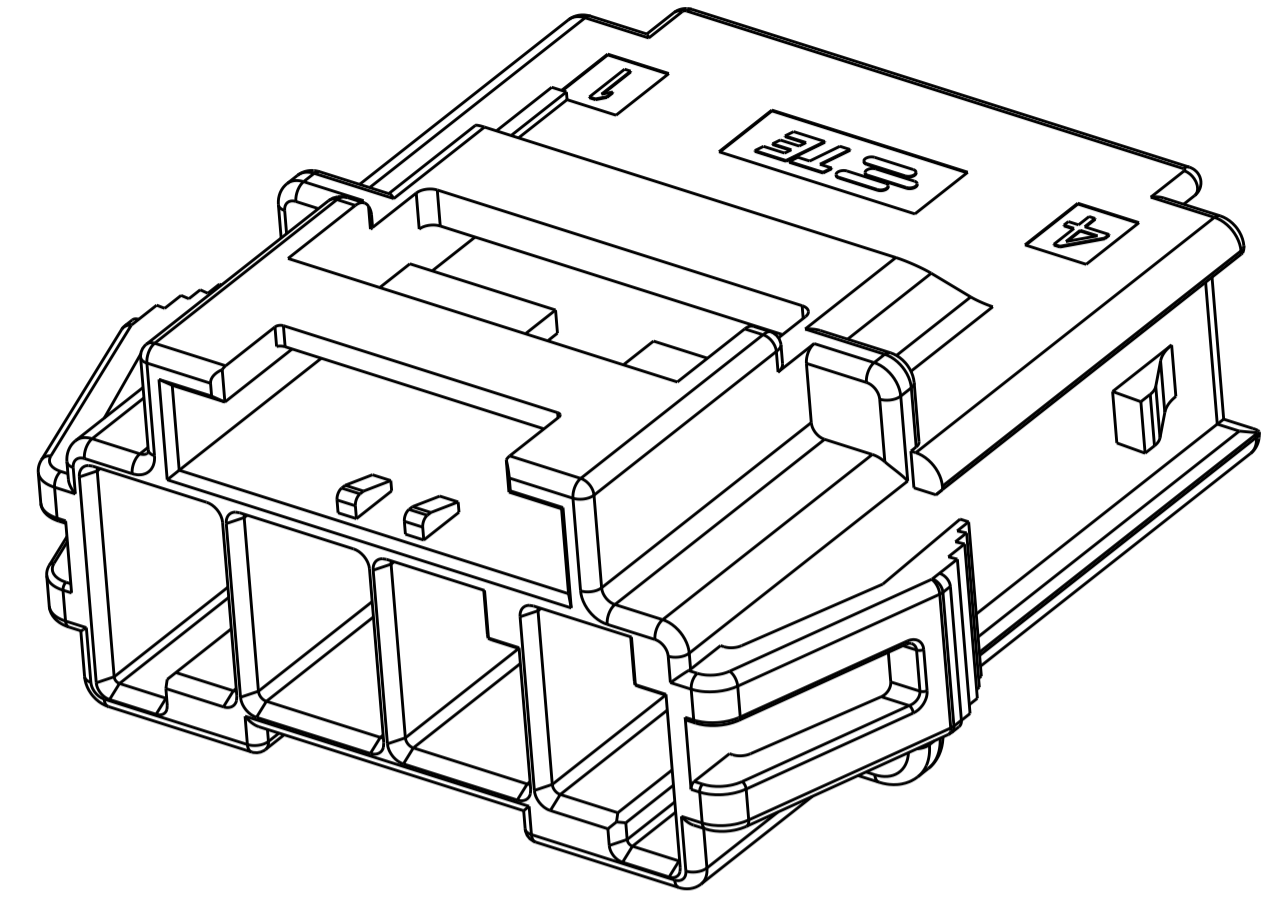
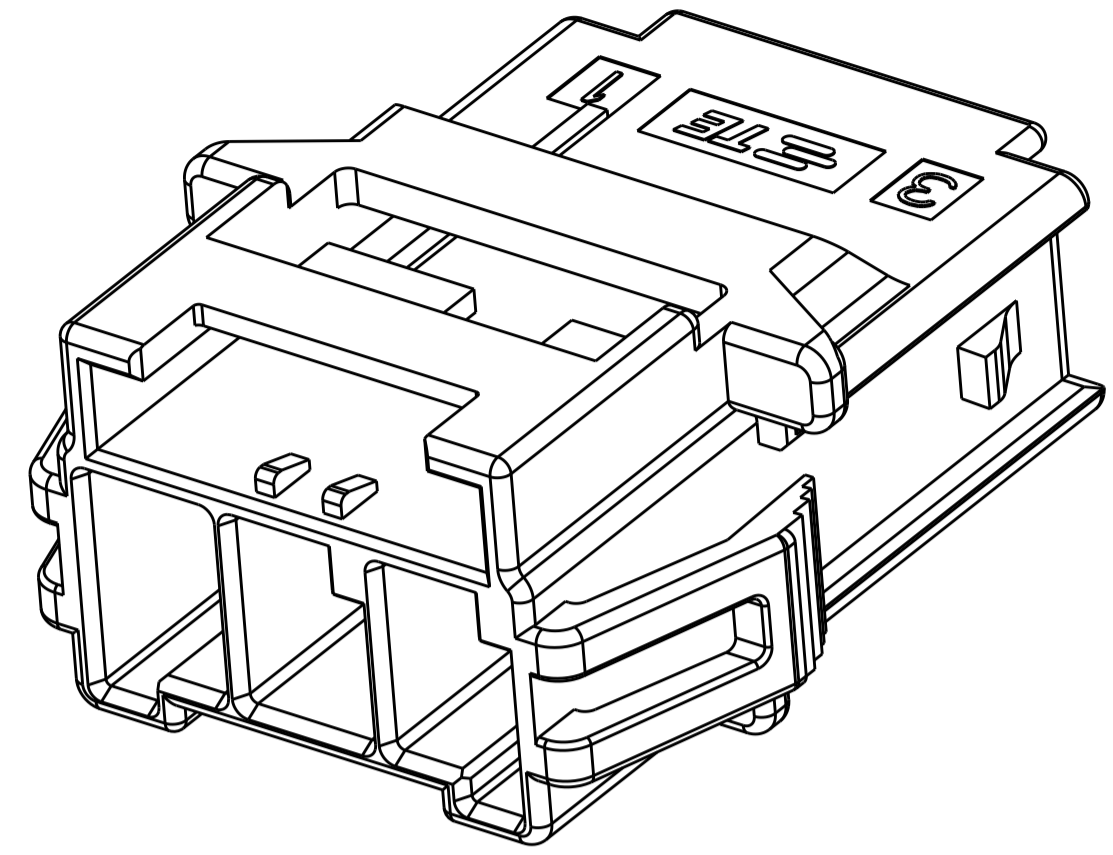
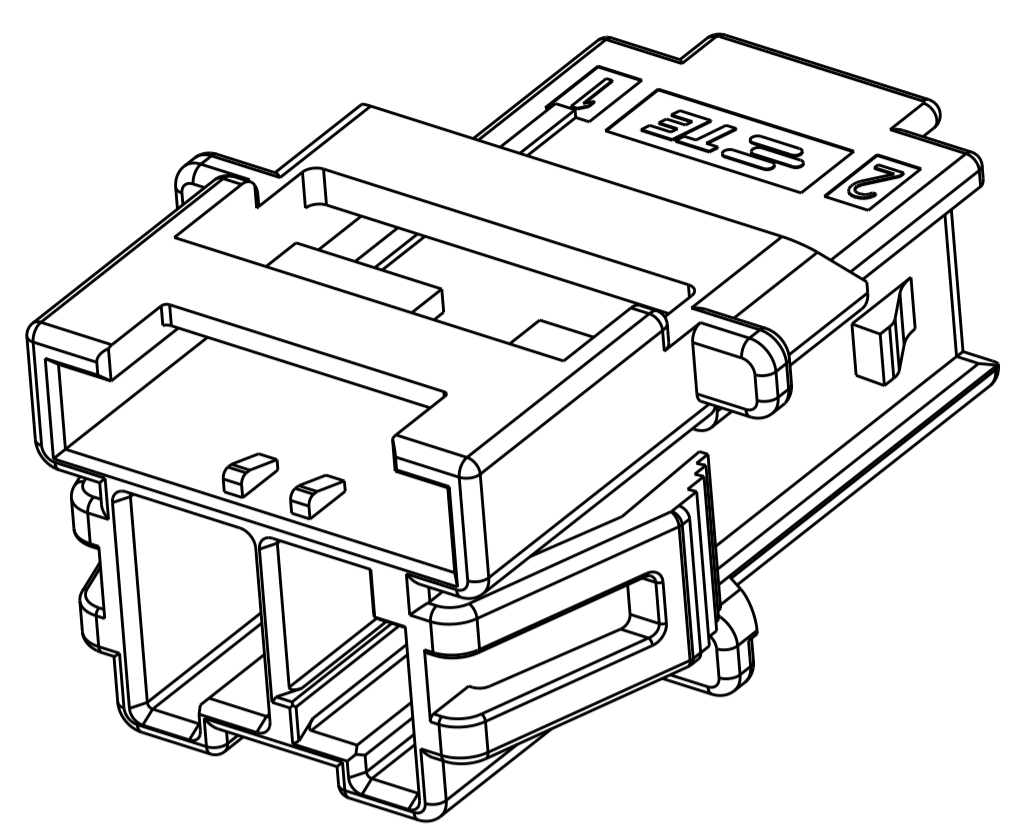
SIZE: A1
 CAGE CODE: 108-106118
 DRAWING NO: 114-106118
 WEIGHT: -

RESTRICTED TO: -

SCALE: - SHEET 1 OF 2 REV C

TE Connectivity

LOC		DIST		REVISIONS			
				DESCRIPTION	DATE	OWN	APVD
-	-	-	-	SEE SHEET 1	-	-	-

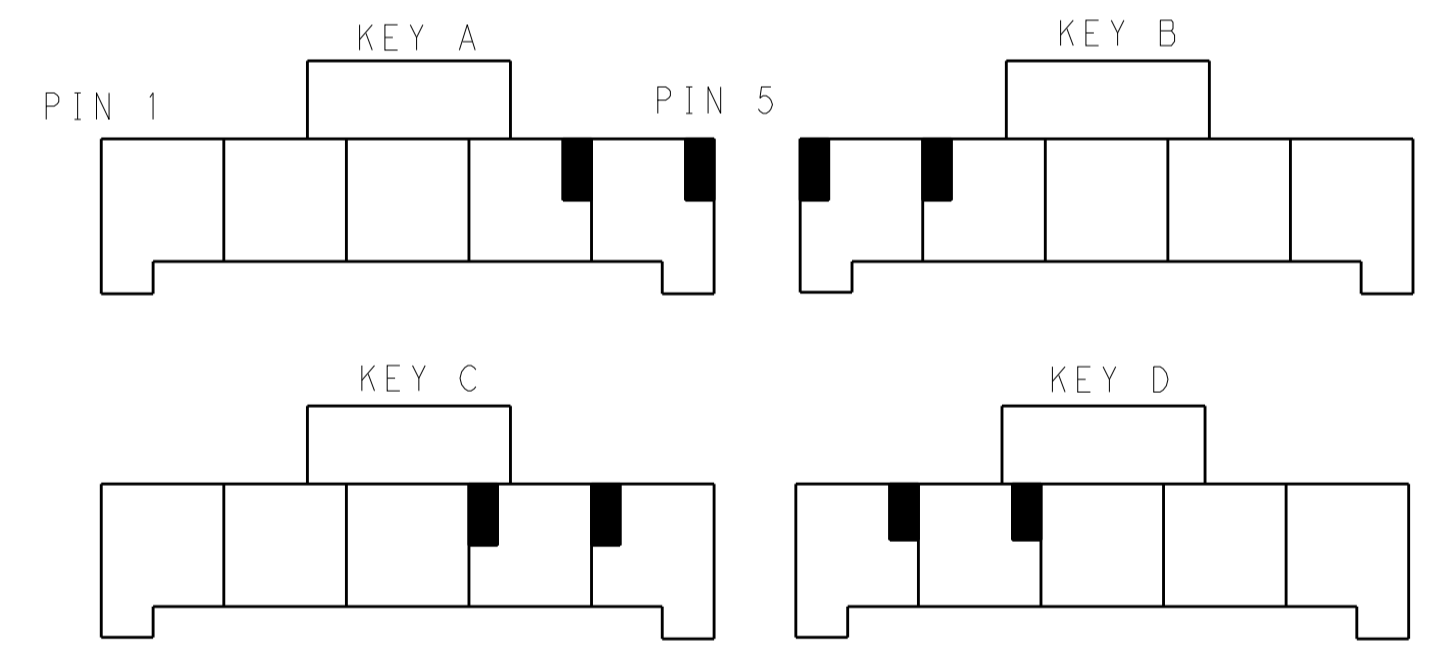
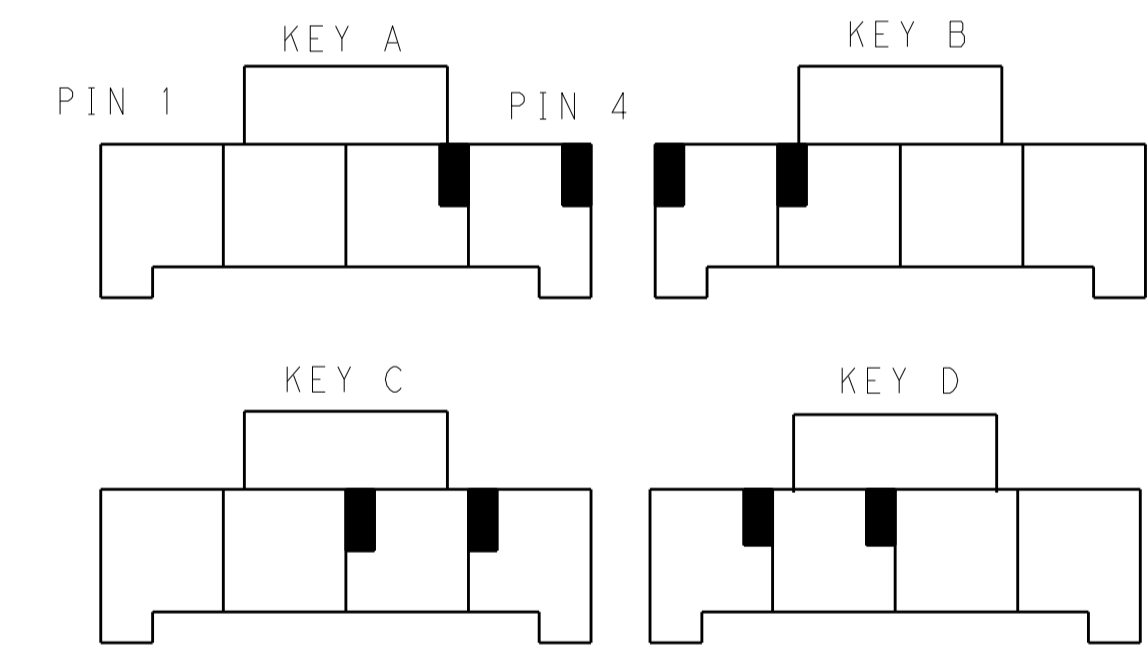
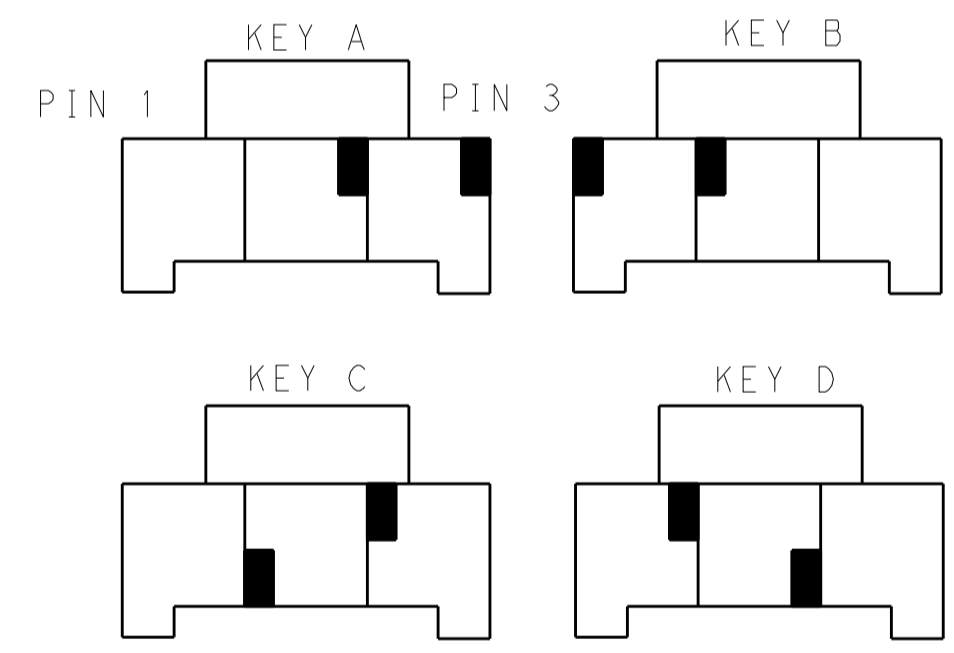
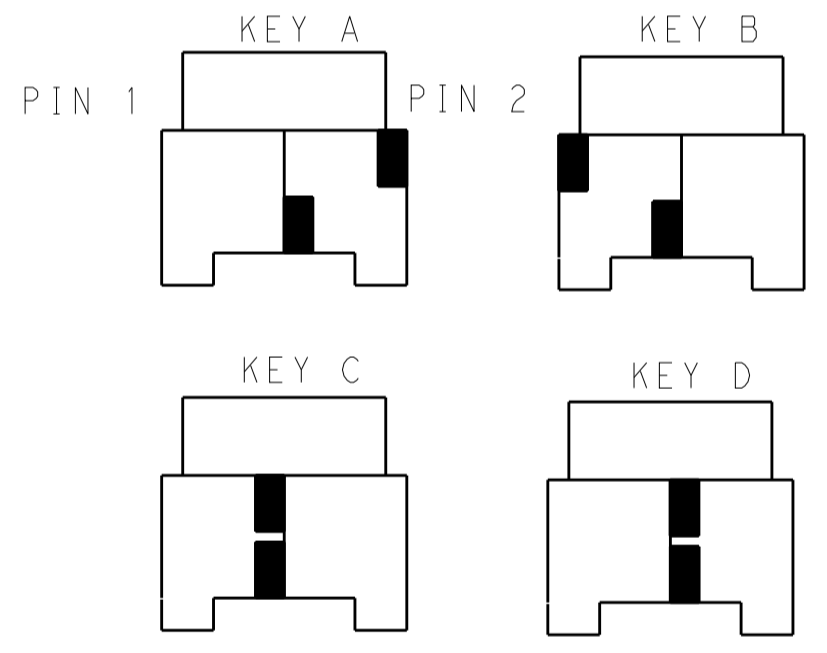


1*2 POSITIONS

1*3 POSITIONS

1*4 POSITIONS

1*5 POSITIONS



KEYING FOR 1*2 POS.

KEYING FOR 1*3 POS.

KEYING FOR 1*4 POS.

KEYING FOR 1*5 POS.

POS.	MATERIAL	KEY	P/N
1*3	LEVEL 1	KEY A	1-1971772-3
		KEY B	2-1971772-3
		KEY C	3-1971772-3
		KEY D	4-1971772-3
	LEVEL 2	KEY A	5-1971772-3
		KEY B	6-1971772-3
		KEY C	7-1971772-3
		KEY D	8-1971772-3
1*2	LEVEL 1	KEY A	1-1971772-2
		KEY B	2-1971772-2
		KEY C	3-1971772-2
		KEY D	4-1971772-2
	LEVEL 2	KEY A	5-1971772-2
		KEY B	6-1971772-2
		KEY C	7-1971772-2
		KEY D	8-1971772-2

POS.	MATERIAL	KEY	P/N
1*4	LEVEL 1	KEY A	1-1971772-4
		KEY B	2-1971772-4
		KEY C	3-1971772-4
		KEY D	4-1971772-4
	LEVEL 2	KEY A	5-1971772-4
		KEY B	6-1971772-4
		KEY C	7-1971772-4
		KEY D	8-1971772-4
1*5	LEVEL 1	KEY A	1-1971772-7
		KEY B	2-1971772-7
		KEY C	3-1971772-7
		KEY D	4-1971772-7
	LEVEL 2	KEY A	5-1971772-7
		KEY B	6-1971772-7
		KEY C	7-1971772-7
		KEY D	8-1971772-7

THIS DRAWING IS A CONTROLLED DOCUMENT.

OWN: TOMMY WU 06JUL2012
 CHG: HAPYE WU 06JUL2012
 APVD: YUZHONG MAO 06JUL2012

DIMENSIONS: mm
 TOLERANCES UNLESS OTHERWISE SPECIFIED:
 0 PLC ±0.35
 1 PLC ±0.25
 2 PLC ±0.25
 3 PLC ±0.25
 4 PLC ±0.25
 ANGLES ±0.5

MATERIAL:

FINISH:

Customer Drawing

SCALE: - SHEET 2 OF 2 REV C

TE Connectivity
 NAME: CAP HOUSING, PANEL MOUNT, SINGLE ROW POWER TRIPLE LOCK
 PRODUCT SPEC: 108-106118
 APPLICATION SPEC: 114-106118
 SIZE: A100779
 CAGE CODE: 1971772
 DRAWING NO: 1971772

Mouser Electronics

Authorized Distributor

Click to View Pricing, Inventory, Delivery & Lifecycle Information:

[TE Connectivity:](#)

[5-1971772-3](#)