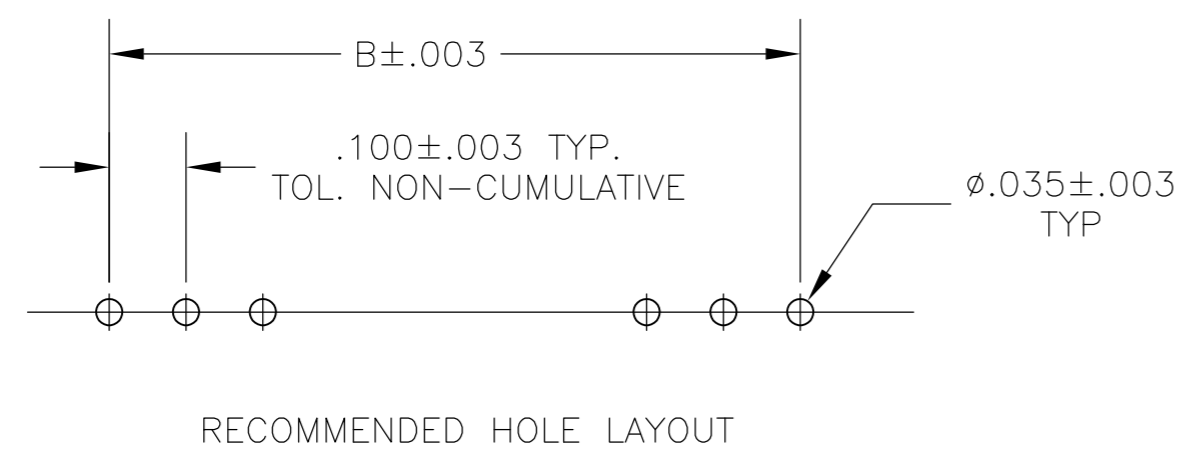
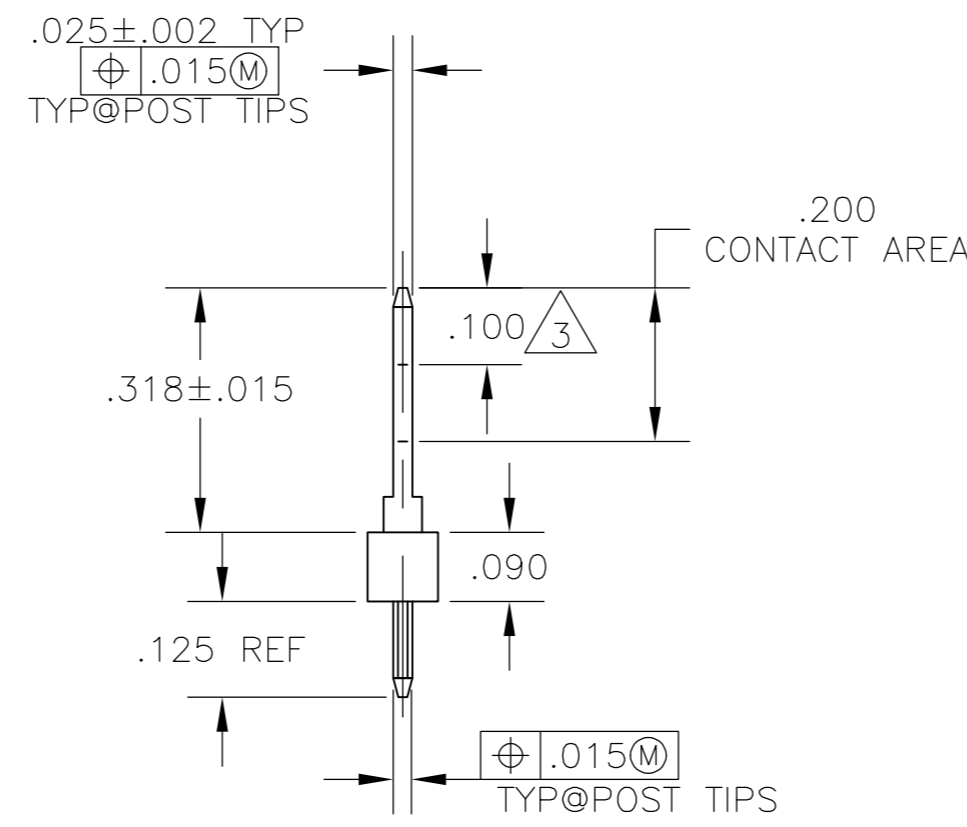
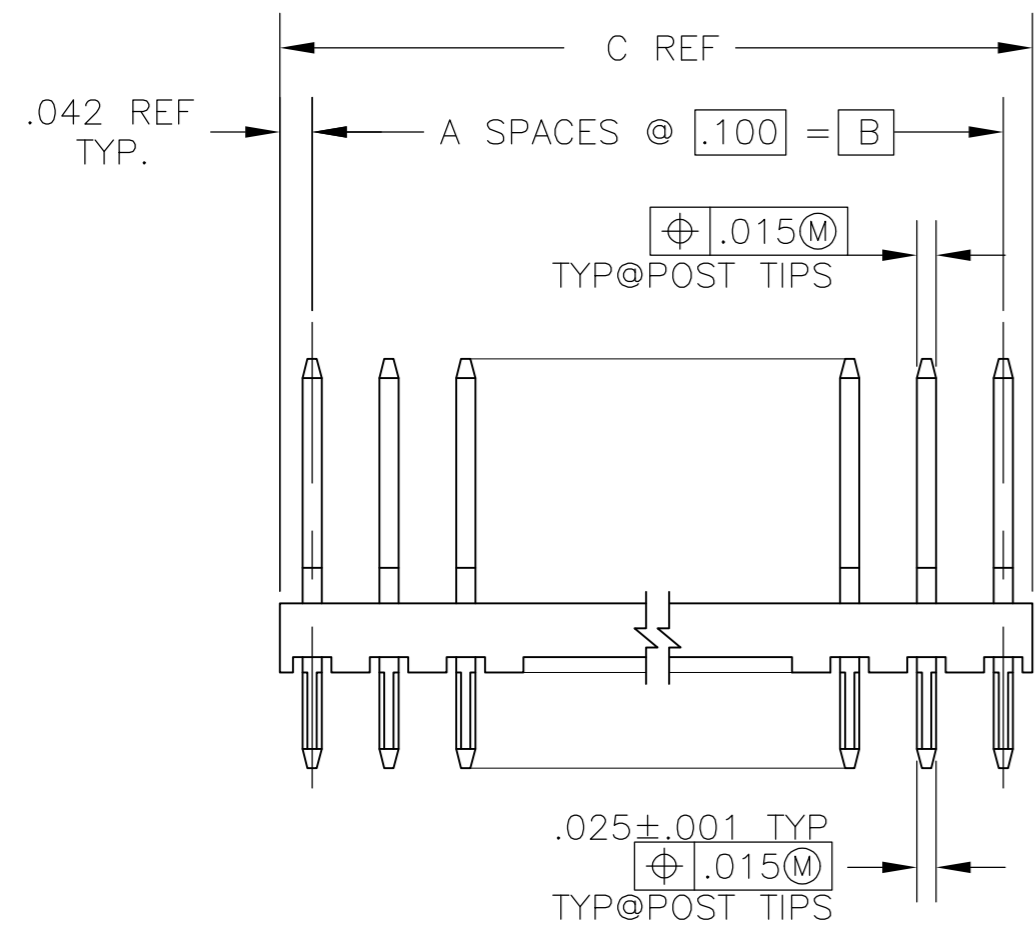


THIS DRAWING IS UNPUBLISHED. RELEASED FOR PUBLICATION
 © COPYRIGHT - By - ALL RIGHTS RESERVED.

LOC		DIST		REVISIONS					
AD		39		P	LTR	DESCRIPTION	DATE	DWN	APVD
				L3		PART STATUS UPDATED IN THE PARTS LIST TABLE	27AUG2015	KJK	PS



- NOTES:
- 1 TRUE POSITION TOLERANCE OF POST TIPS APPLIES WHEN HEADERS ARE HELD FLAT AGAINST PC BOARD.
 - 2 .000015 GOLD IN CONTACT AREA, GOLD FLASH ON SOLDER AREA, ALL OVER .000050 NICKEL.
 - 3 POINT OF MEASUREMENT FOR PLATING THICKNESS.
 - 4 PARTS PACKAGED IN SINGLE TUBES.
 - 5 HOUSING: FLAME RETARDANT THERMOPLASTIC, COLOR-BLACK POST: PHOS.BRONZE.
 - 6 OBSOLETE PARTS: OBSOLETE CIS STREAMLINING PER D.RENAUD/D.SINISI

6	4	OBSOLETE	.284	.200	2	3	4-87224-3
			3.984	3.900	39	40	4-87224-0
			3.884	3.800	38	39	3-87224-9
			3.784	3.700	37	38	3-87224-8
			3.684	3.600	36	37	3-87224-7
			3.584	3.500	35	36	3-87224-6
			3.484	3.400	34	35	3-87224-5
			3.384	3.300	33	34	3-87224-4
			3.284	3.200	32	33	3-87224-3
			3.184	3.100	31	32	3-87224-2
			3.084	3.000	30	31	3-87224-1
			2.984	2.900	29	30	3-87224-0
			2.884	2.800	28	29	2-87224-9
			2.784	2.700	27	28	2-87224-8
			2.684	2.600	26	27	2-87224-7
			2.584	2.500	25	26	2-87224-6
			2.484	2.400	24	25	2-87224-5
			2.384	2.300	23	24	2-87224-4
			2.284	2.200	22	23	2-87224-3
			2.184	2.100	21	22	2-87224-2
			2.084	2.000	20	21	2-87224-1
			1.984	1.900	19	20	2-87224-0
			1.884	1.800	18	19	1-87224-9
			1.784	1.700	17	18	1-87224-8
			1.684	1.600	16	17	1-87224-7
			1.584	1.500	15	16	1-87224-6
			1.484	1.400	14	15	1-87224-5
			1.384	1.300	13	14	1-87224-4
			1.284	1.200	12	13	1-87224-3
			1.184	1.100	11	12	1-87224-2
			1.084	1.000	10	11	1-87224-1
			.984	.900	9	10	1-87224-0
			.884	.800	8	9	87224-9
			.784	.700	7	8	87224-8
			.684	.600	6	7	87224-7
			.584	.500	5	6	87224-6
			.484	.400	4	5	87224-5
			.384	.300	3	4	87224-4
			.284	.200	2	3	87224-3
			.184	.100	1	2	87224-2
			.084	-	-	1	87224-1
			C	B	A	NO OF POS	PART NO

THIS DRAWING IS A CONTROLLED DOCUMENT.

DWN RAGHAVENDRA 24FEB09
 CHK GESFORD JEFFREY 24FEB09
 APVD GESFORD JEFFREY 24FEB09

TE Connectivity

NAME: HEADER ASS'Y MOD II, .025 SQ POST, SINGLE ROW, 100 C/L, STACKABLE

SIZE: A2 CAGE CODE: 00779 DRAWING NO: 87224 RESTRICTED TO: -

MATERIAL: 5 FINISH: 2

WEIGHT: - SCALE: 4:1 SHEET: 1 of 1 REV: L3

CUSTOMER DRAWING

Mouser Electronics

Authorized Distributor

Click to View Pricing, Inventory, Delivery & Lifecycle Information:

[TE Connectivity:](#)

[87224-9](#)