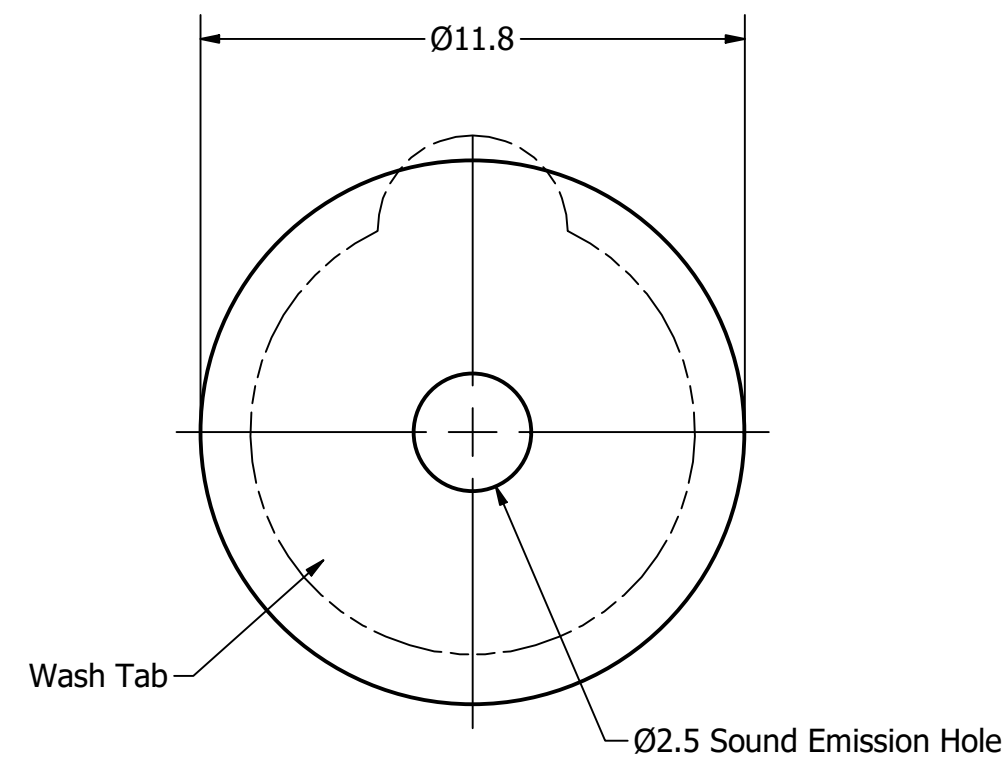
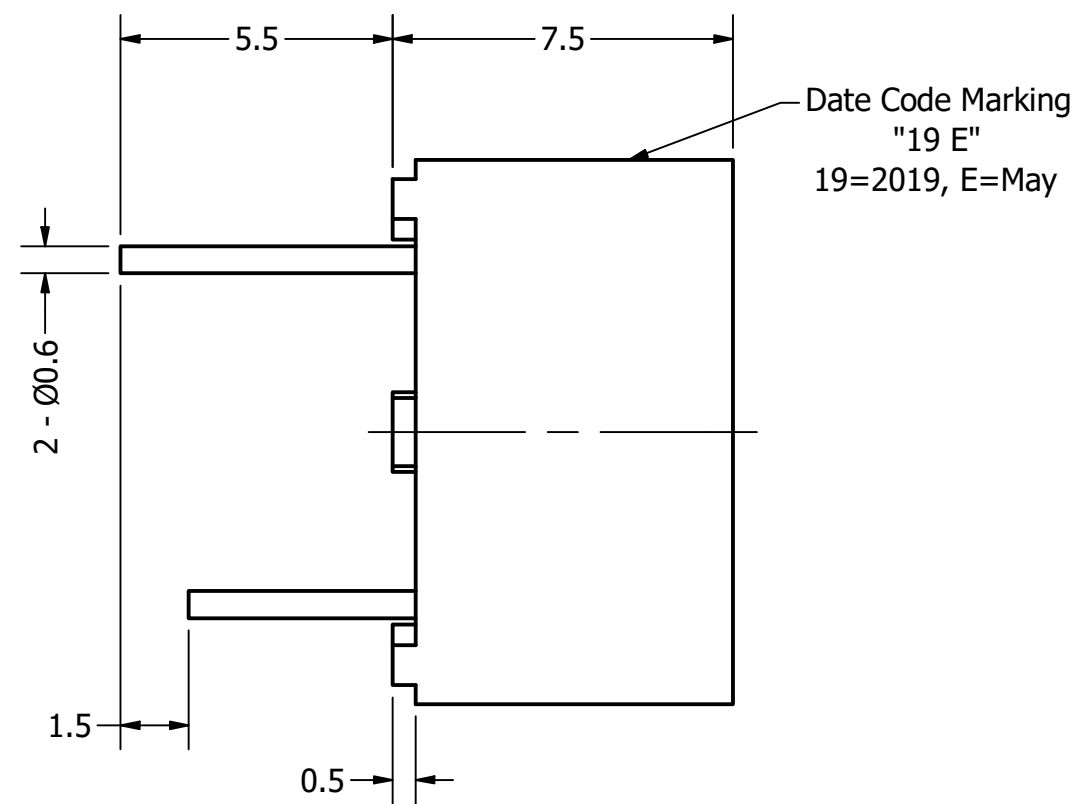


Part Number:	IE122312-3	
DRAWN	CJ	5/20/2019
CHECKED	C.H.	5/21/2019
Description:	Electro-Mechanical Indicator	
APPROVED	C.E.	5/21/2019
This document contains data proprietary to DB Unlimited. Any use or reproduction, in any form, without prior written permission of DB Unlimited is prohibited. All terms and conditions can be found at www.dbunlimitedco.com		

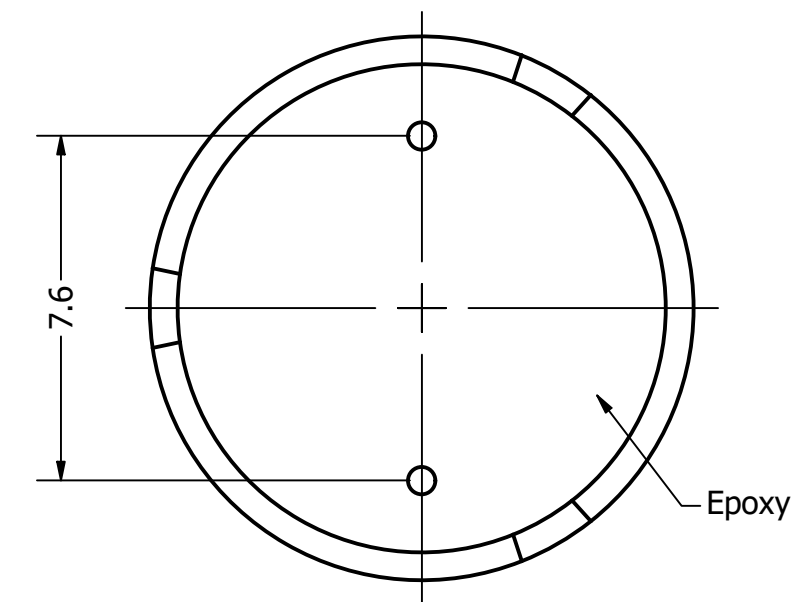
Top View



Side View



Bottom View



Items	Specifications	Conditions
Min. Sound Pressure Level	83	dB (@ 10cm)
Tone	Single	
Resonant Frequency	2,300	Hz
Rated Voltage	12	V
Voltage Range	8 ~ 16	V
Max. Rated Current	30	mA
Storage Temperature	-40 ~ +90	°C
Operating Temperature	-40 ~ +85	°C
Connection Method	PC Pins	
Mount Type	Thru Hole	
Housing Material	PBT	
Weight	1.8	g

REVISION HISTORY

REV	DESCRIPTION	DATE	APPROVED
	Released from Engineering	10/21/0213	J.S.
1	Updated drawing template, temps, voltage range, diameter, pin length, housing, weight	5/21/2019	C.E.

NOTES

- 1) All dimensions are in mm unless otherwise noted
- 2) All tolerances are ± 0.5 mm unless otherwise noted
- 3) All parts meet RoHS
- 4) Subject to change or redrawn without notice

Mouser Electronics

Authorized Distributor

Click to View Pricing, Inventory, Delivery & Lifecycle Information:

[DB Unlimited:](#)

[IE122312-3](#)