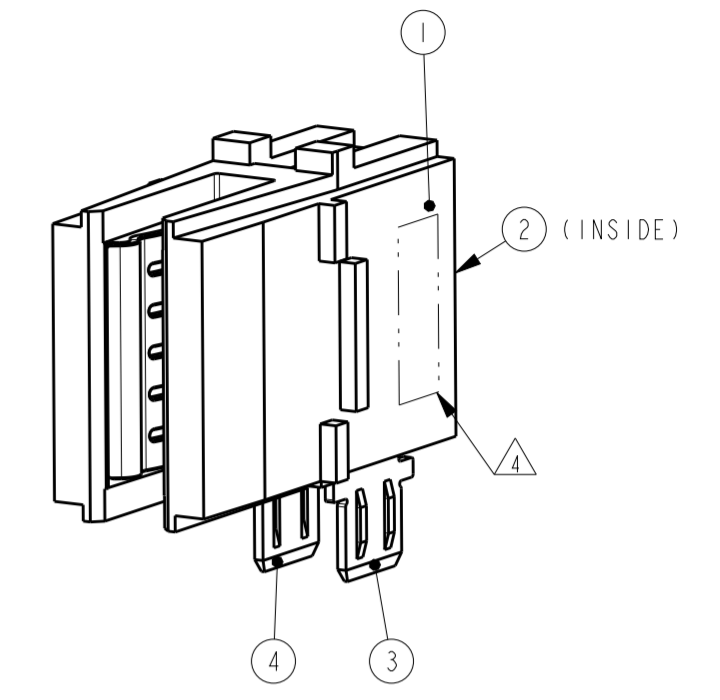
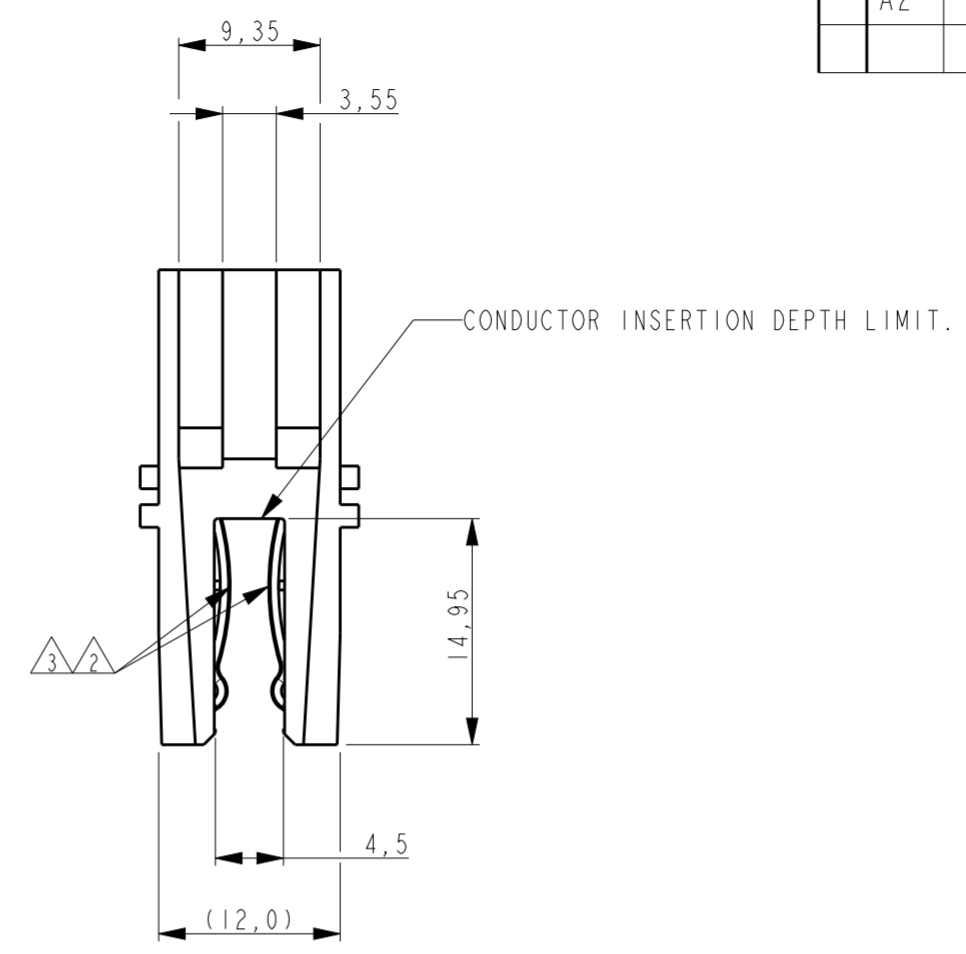
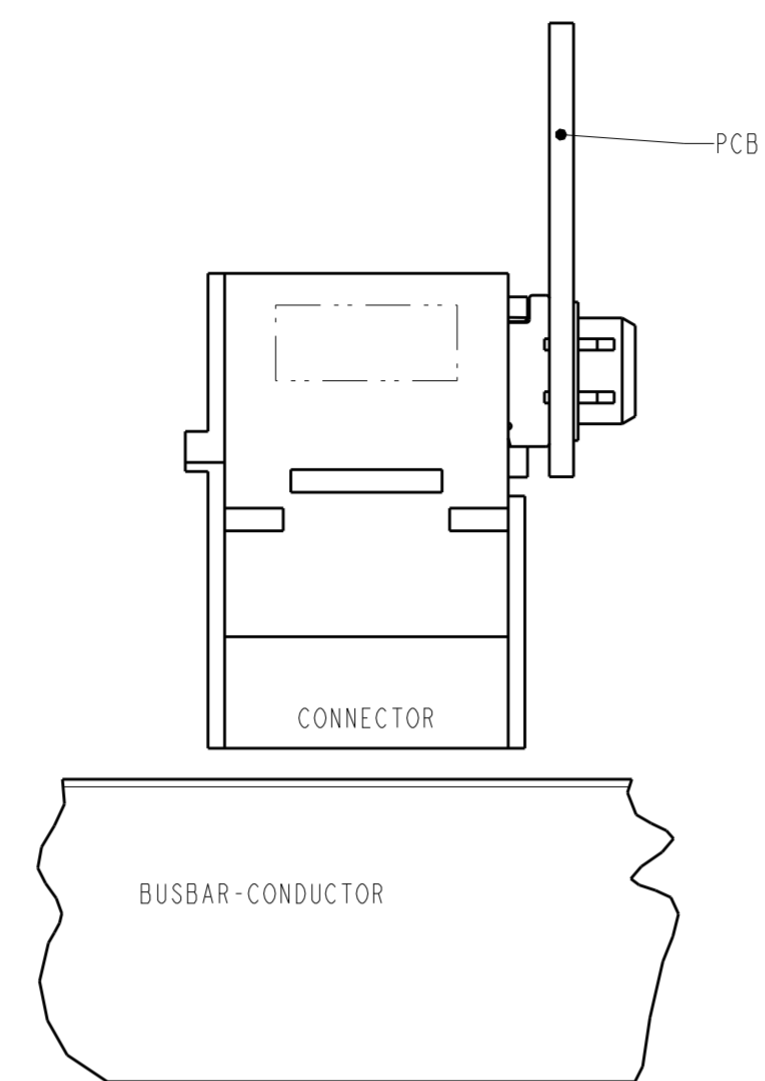
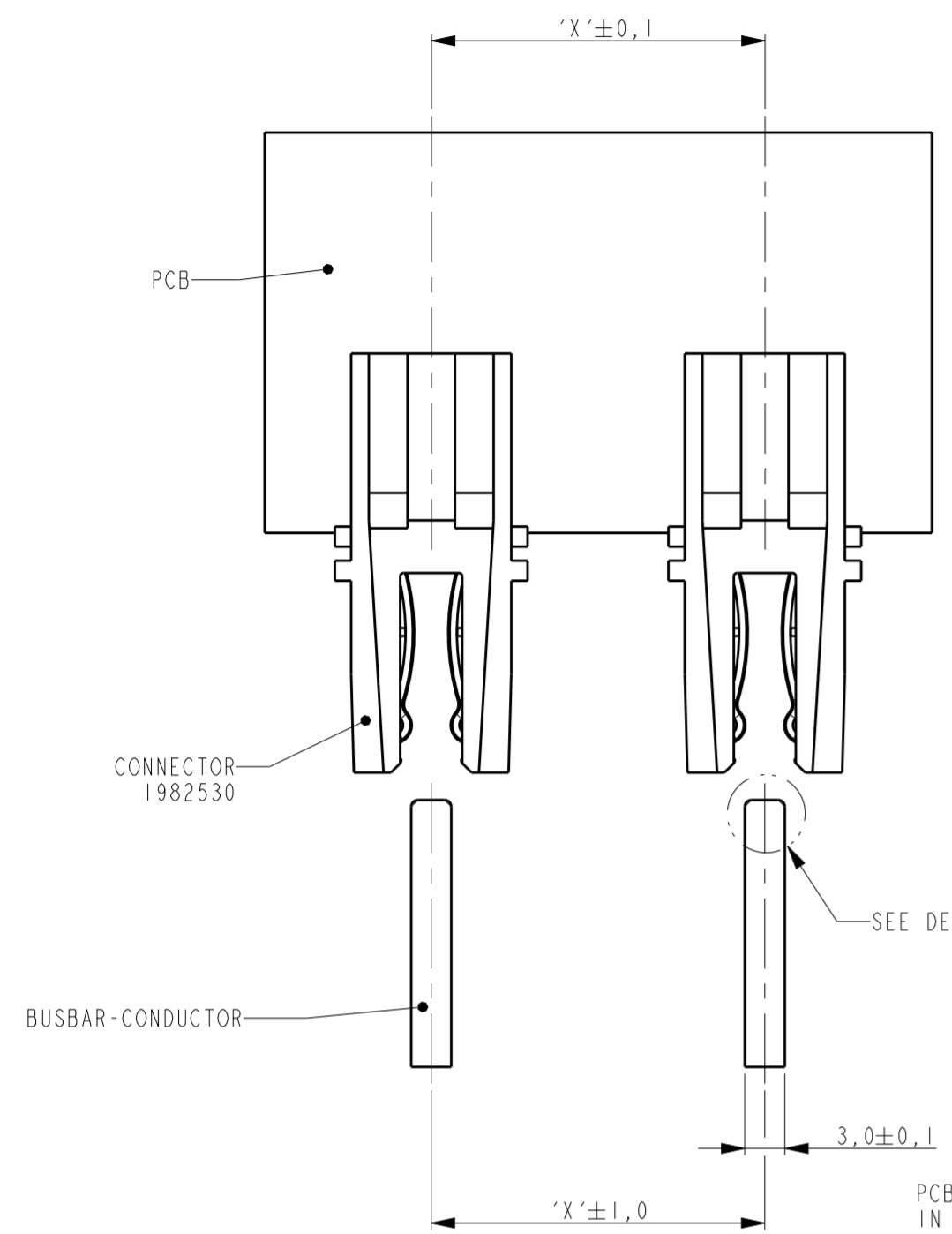
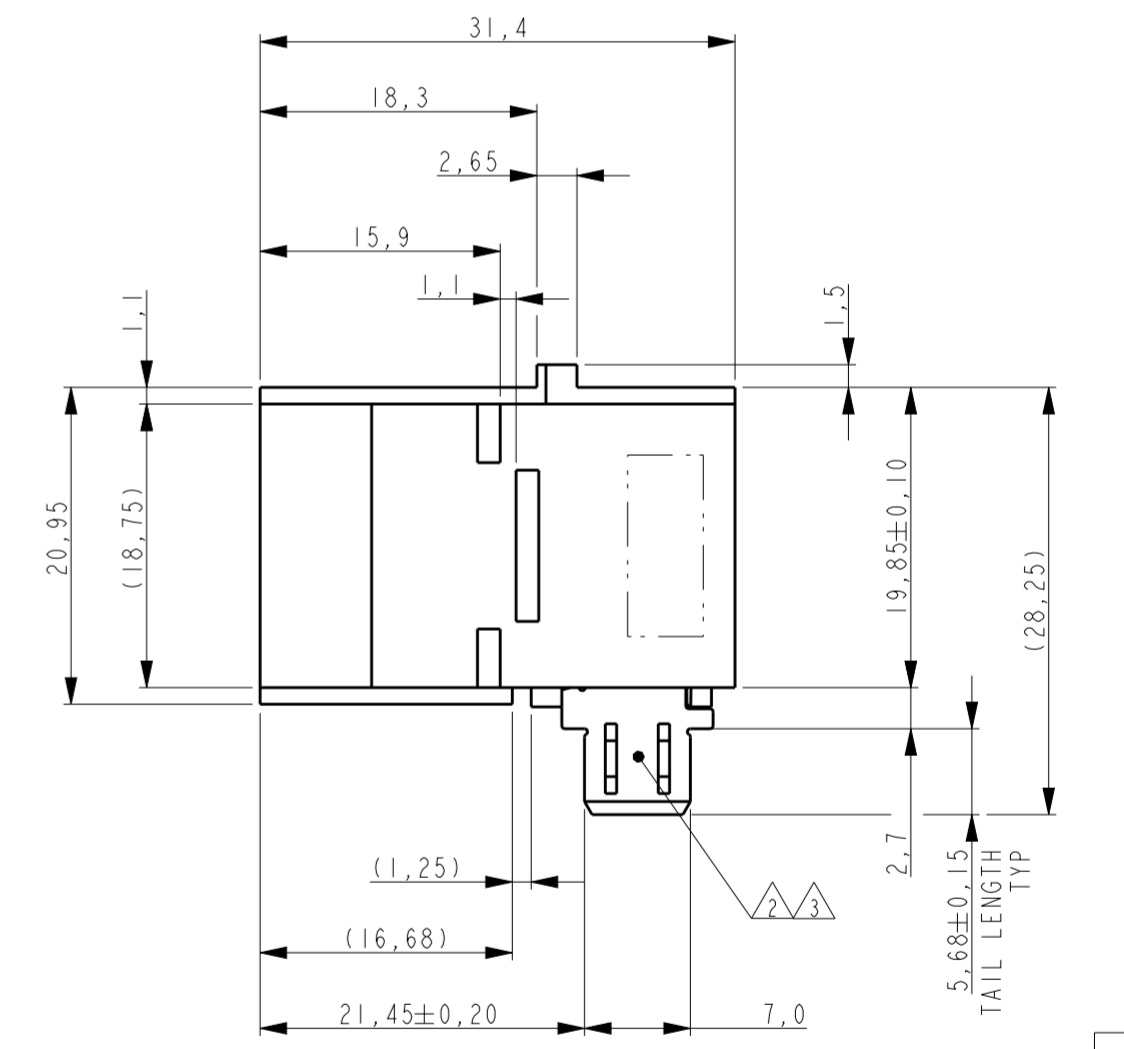
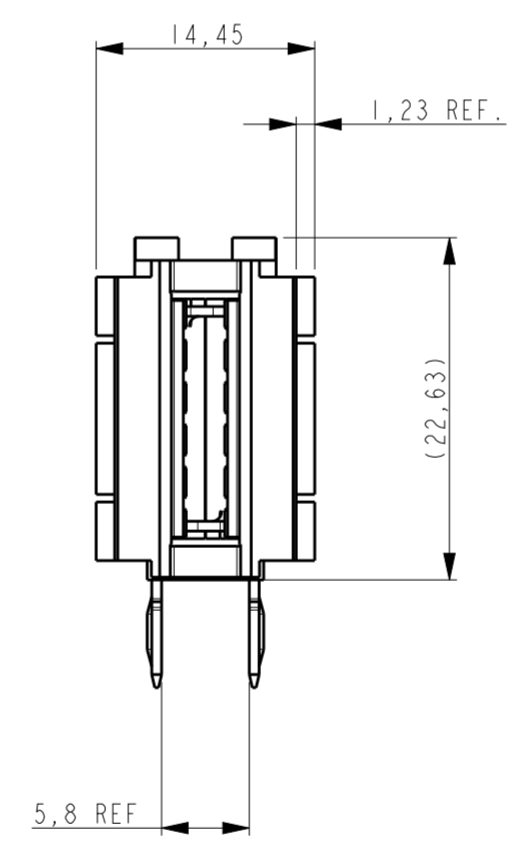
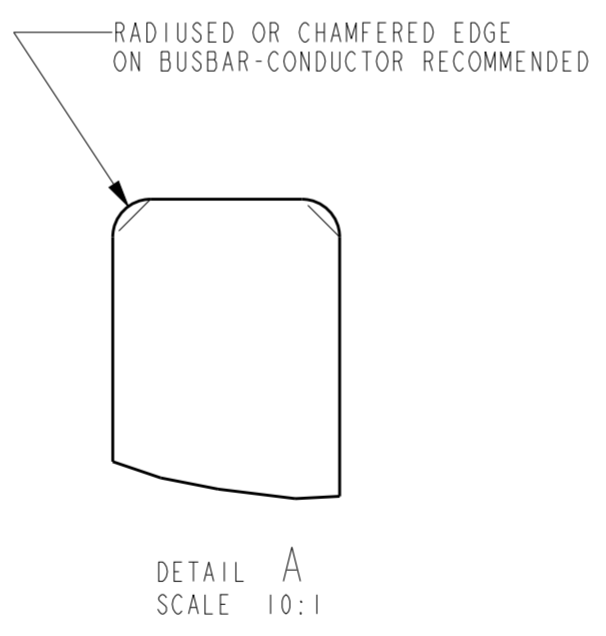
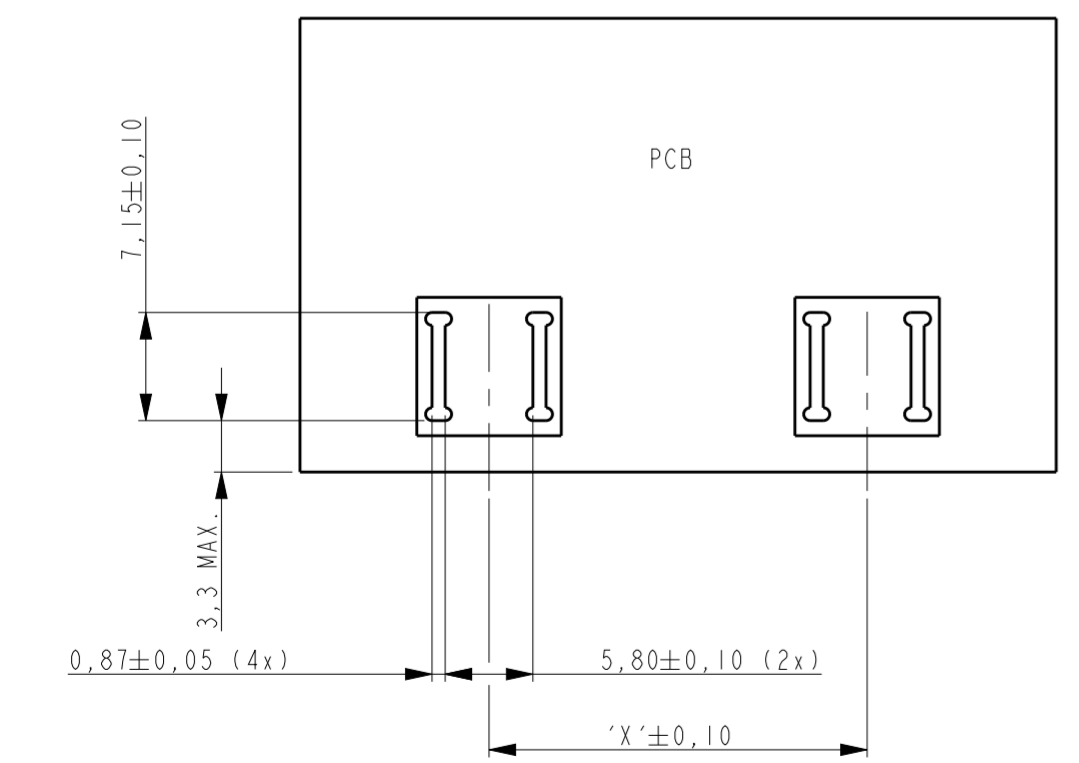


THIS DRAWING IS UNPUBLISHED. RELEASED FOR PUBLICATION
 © COPYRIGHT - BY - ALL RIGHTS RESERVED.

LOC	DIST	REVISIONS					
ES	00	P	LTR	DESCRIPTION	DATE	DWN	APVD
		A		INITIAL RELEASE	06SEP12	SS	RRP
		A1		ECR-12-017404	05OCT2012	SS	RRP
		A2		REV PER ECR-14-007496	20MAY2014	ML	SZ



PCB AND BUSBAR-CONDUCTORS, IN THESE VIEWS ARE SHOWN FOR REFERENCE ONLY.



- NOTES:
- PCB MUST BE SUPPORTED WHILE INSERTING THE CONNECTOR IN THE SLOTS TO AVOID BENDING OF THE BOARD.
 - PLATING: 1,2µm MIN. NICKEL UNDERLAYER ALLOVER.
 - 3,0µm MIN. TIN IN INDICATED AREA'S.
 - AREA FOR DATE-CODE.
 - MATERIAL:
 POWER CONTACT: HIGH CONDUCTIVITY COPPER ALLOY.
 HOUSING: THERMOPLASTIC, BLACK, UL94 V-0.

RECOMMENDED PCB LAY-OUT
 THICKNESS: 4,8mm MAX

THIS DRAWING IS A CONTROLLED DOCUMENT.

DIMENSIONS:	TOLERANCES UNLESS OTHERWISE SPECIFIED:
mm	
0 PLC	±
1 PLC	±0,3
2 PLC	±0,15
3 PLC	±0,050
4 PLC	±
ANGLES	±2°
FINISH	

4	CONTACT LEFT	COPPER ALLOY	△△	I
3	CONTACT RIGHT	COPPER ALLOY	△△	I
2	CLIP	STAINLESS STEEL	-	I
1	HOUSING	HIGH TEMP THERMO PLASTIC UL 94 V0 BLACK	BLACK	I

ITEM NO.	DESCRIPTION	MATERIAL	FINISH	QTY.
4	CONTACT LEFT	COPPER ALLOY	△△	I
3	CONTACT RIGHT	COPPER ALLOY	△△	I
2	CLIP	STAINLESS STEEL	-	I
1	HOUSING	HIGH TEMP THERMO PLASTIC UL 94 V0 BLACK	BLACK	I

DWN	SUDHAKAR	06SEP12	TE Connectivity	
CHK	SUDHAKAR	06SEP12		
APVD	RAJENDRA	06SEP12		
PRODUCT SPEC	108-19360			
APPLICATION SPEC	114-19128		NAME	PLUGGABLE BUSBAR CONNECTOR SOLDER VERSION CROWN CLIP JUNIOR
WEIGHT	-		SIZE	A2
Customer Drawing			CAGE CODE	00779
			DRAWING NO	C-2178411
			RESTRICTED TO	-
			SCALE	2:1
			SHEET	1 OF 1
			REV	A3

Mouser Electronics

Authorized Distributor

Click to View Pricing, Inventory, Delivery & Lifecycle Information:

[TE Connectivity:](#)

[2178411-1](#)