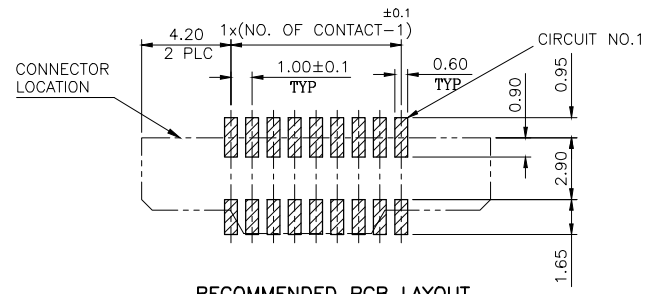
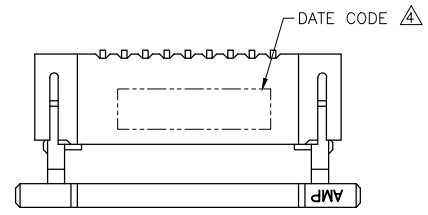


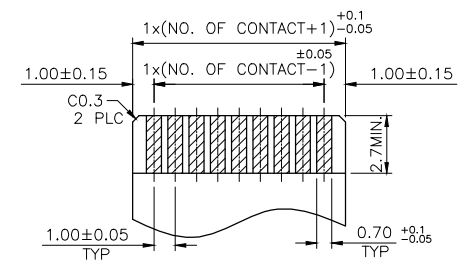
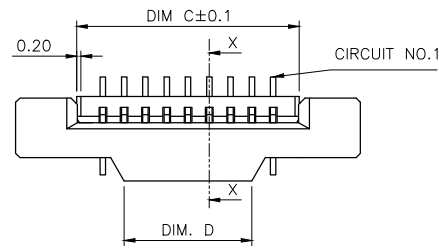
THIS DRAWING IS UNPUBLISHED. RELEASED FOR PUBLICATION
 © COPYRIGHT 2011 BY TYCO ELECTRONICS CORPORATION. ALL RIGHTS RESERVED.

| LOC | | DIST | | REVISIONS | | | |
|-----|-----|---|--|-----------|------|------|--|
| P | LTR | DESCRIPTION | | DATE | DWN | APVD | |
| E1 | | REVISED (ECR-14-000556), ADD NEW PART NUMBER. | | 06JAN14 | S.C. | H.L. | |

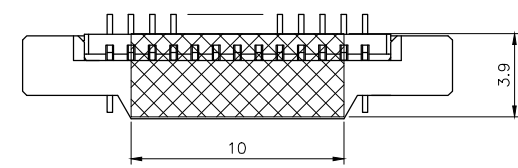
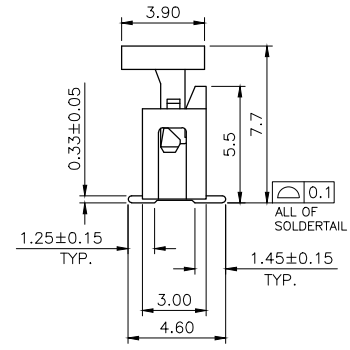
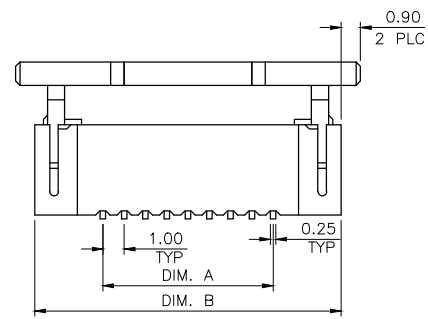


RECOMMENDED PCB LAYOUT
(TOLERANCE : \pm 0.05)

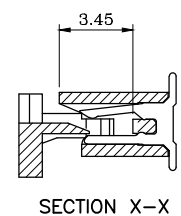
- NOTES:
- MATERIAL:
 - HOUSING: THERMOPLASTIC (PA9T)
UL94 V-0, COLOR: BLACK.
 - ACTUATOR: THERMOPLASTIC (PA9T)
UL94 V-0, COLOR: BLACK.
 - CONTACTS: PHOSPHOR BRONZE
 - MYLAR: CAPTON. THICKNESS: 0.12. COLOR: YELLOW
 - FINISH:
 - CONTACT: GOLD FLASH PLATING OVERALL.
1.27mm (50m") MIN. NICKEL UNDERPLATING OVERALL.
 - REFLOW SOLDER CAPABLE TO 260°C PER TEC-109-201, CONDITION B.
- Δ WITHOUT DATE CODE FOR 8 POSITION UNDER.
 ∇ MYLAR ATTACHED FOR PN 6-1734248-0 ONLY



APPLICABLE FPC
RECOMMENDED DIMENSION
(THICKNESS:0.3 \pm 0.05)



W/ MYLAR
 Δ (FOR 6-1734248-0 ONLY)

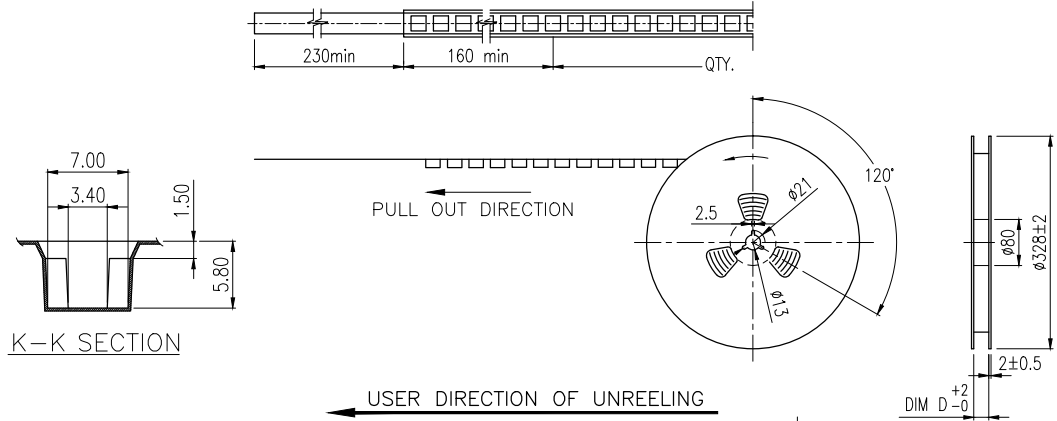


| STATUS | DIM D | DIM C | DIM B | DIM A | POS. | PART NUMBER |
|----------|-------|-------|-------|-------|------|-------------|
| ACTIVE | 27 | 31.40 | 35.6 | 29.0 | 30 | 6-1734248-0 |
| | 37 | 41.40 | 45.6 | 39.0 | 40 | 4-1734248-0 |
| | 36 | 40.40 | 44.6 | 38.0 | 39 | 3-1734248-9 |
| | 35 | 39.40 | 43.6 | 37.0 | 38 | 3-1734248-8 |
| | 34 | 38.40 | 42.6 | 36.0 | 37 | 3-1734248-7 |
| | 33 | 37.40 | 41.6 | 35.0 | 36 | 3-1734248-6 |
| OBSOLETE | 32 | 36.40 | 40.6 | 34.0 | 35 | 3-1734248-5 |
| | 31 | 35.40 | 39.6 | 33.0 | 34 | 3-1734248-4 |
| | 30 | 34.40 | 38.6 | 32.0 | 33 | 3-1734248-3 |
| | 29 | 33.40 | 37.6 | 31.0 | 32 | 3-1734248-2 |
| | 28 | 32.40 | 36.6 | 30.0 | 31 | 3-1734248-1 |
| ACTIVE | 27 | 31.40 | 35.6 | 29.0 | 30 | 3-1734248-0 |
| | 26 | 30.40 | 34.6 | 28.0 | 29 | 2-1734248-9 |
| | 25 | 29.40 | 33.6 | 27.0 | 28 | 2-1734248-8 |
| | 24 | 28.40 | 32.6 | 26.0 | 27 | 2-1734248-7 |
| | 23 | 27.40 | 31.6 | 25.0 | 26 | 2-1734248-6 |
| | 22 | 26.40 | 30.6 | 24.0 | 25 | 2-1734248-5 |
| | 21 | 25.40 | 29.6 | 23.0 | 24 | 2-1734248-4 |
| OBSOLETE | 20 | 24.40 | 28.6 | 22.0 | 23 | 2-1734248-3 |
| | 19 | 23.40 | 27.6 | 21.0 | 22 | 2-1734248-2 |
| | 18 | 22.40 | 26.6 | 20.0 | 21 | 2-1734248-1 |
| | 17 | 21.40 | 25.6 | 19.0 | 20 | 2-1734248-0 |
| | 16 | 20.40 | 24.6 | 18.0 | 19 | 1-1734248-9 |
| | 15 | 19.40 | 23.6 | 17.0 | 18 | 1-1734248-8 |
| | 14 | 18.40 | 22.6 | 16.0 | 17 | 1-1734248-7 |
| | 13 | 17.40 | 21.6 | 15.0 | 16 | 1-1734248-6 |
| | 12 | 16.40 | 20.6 | 14.0 | 15 | 1-1734248-5 |
| | 11 | 15.40 | 19.6 | 13.0 | 14 | 1-1734248-4 |
| | 10 | 14.40 | 18.6 | 12.0 | 13 | 1-1734248-3 |
| ACTIVE | 9 | 13.40 | 17.6 | 11.0 | 12 | 1-1734248-2 |
| | 8 | 12.40 | 16.6 | 10.0 | 11 | 1-1734248-1 |
| | 7 | 11.40 | 15.6 | 9.0 | 10 | 1-1734248-0 |
| | 6 | 10.40 | 14.6 | 8.0 | 9 | 1734248-9 |
| | 5 | 9.40 | 13.6 | 7.0 | 8 | 1734248-8 |
| | 4 | 8.40 | 12.6 | 6.0 | 7 | 1734248-7 |
| | 3 | 7.40 | 11.6 | 5.0 | 6 | 1734248-6 |
| | 2 | 6.40 | 10.6 | 4.0 | 5 | 1734248-5 |
| | 2 | 5.40 | 9.6 | 3.0 | 4 | 1734248-4 |
| | 2 | 4.40 | 8.6 | 2.0 | 3 | 1734248-3 |

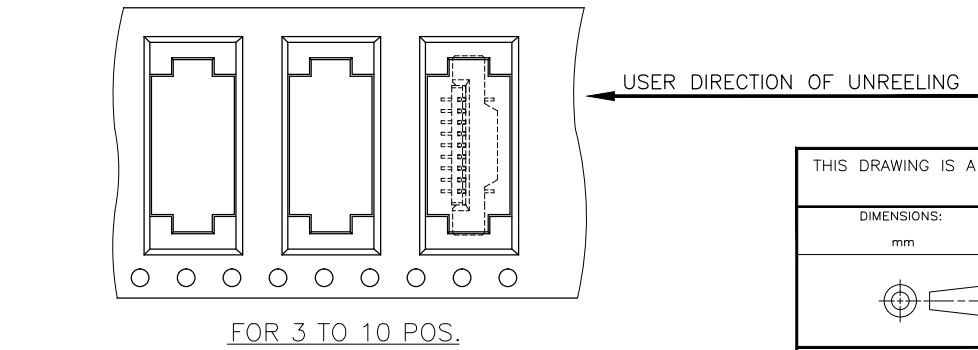
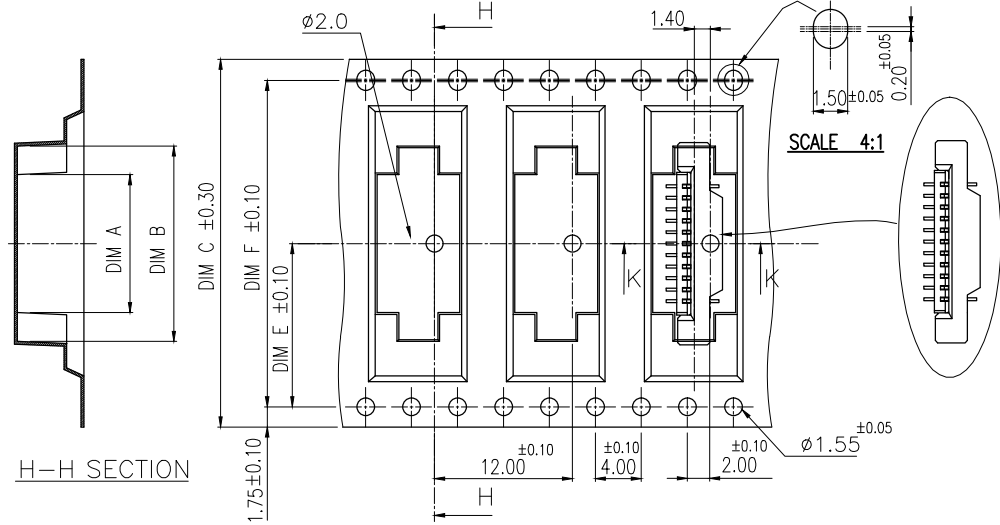
| | | | | |
|--|--------------------|------------------------------|-------------------|-----|
| THIS DRAWING IS A CONTROLLED DOCUMENT. | | DWN H. HUANG 30MAR2007 | TE Connectivity | |
| DIMENSIONS: mm | | CHK S. HOU 30MAR2007 | | |
| TOLERANCES UNLESS OTHERWISE SPECIFIED: | | APVD W.J. KF 30MAR2007 | NAME | |
| 0 PLC \pm - | | PRODUCT SPEC | 108-57080 | |
| 1 PLC \pm 0.3 | | APPLICATION SPEC | 108-57080 | |
| 2 PLC \pm 0.2 | | | SIZE | |
| 3 PLC \pm - | | | CAGE CODE | |
| 4 PLC \pm - | | | DRAWING NO | |
| ANGLES \pm 3' | | | RESTRICTED TO | |
| MATERIAL SEE NOTE | FINISH SEE NOTE | WEIGHT - | A300779 C=1734248 | |
| CUSTOMER DRAWING | | SCALE | SHEET | REV |
| | | | 1 of 2 | E1 |

THIS DRAWING IS UNPUBLISHED. RELEASED FOR PUBLICATION
 © COPYRIGHT 2011 BY TYCO ELECTRONICS CORPORATION. ALL RIGHTS RESERVED.

| LOC | | DIST | | REVISIONS | | | | | |
|-----|--|------|--|--------------|-----|-------------|------|-----|------|
| DW | | | | P | LTR | DESCRIPTION | DATE | DWN | APVD |
| | | | | SEE SHEET 1. | | | | | |



- NOTES:
 1. MATERIAL :
 1.1 EMBOSSED CARRIER: PS
 1.2 COVER TAPE: PS
 1.3 SHIPPING CARTON: CORRUGATED FIBER
 2. DIMENSION :
 2.1 REEL: W=DIM C
 2.2 SHIPPING BDX: L=350, W=350, H=350
 3. QUANTITY: PRIMARY PACKING: 1000 PCS/REEL
 4. PEELING RESISTANCE: 10.2gf~71.4gf.
 5. PEELING SPEED: 300mm/minutes.



| REELS/BOX | DIM F | DIM E | DIM D | DIM C | DIM B | DIM A | G/W (kg) | N/W (kg) | POS. | PART NUMBER |
|-----------|-------|-------|-------|-------|-----------|-------|----------|----------|------|-------------|
| 4 | 68.4 | 34.2 | 72.4 | 72 | 46 | 41 | 8.70 | 5.58 | 40 | 4 1734248-0 |
| | | | | | 45 | 40 | 8.57 | 5.37 | 39 | 3-1734248-9 |
| | | | | | 44 | 39 | 8.45 | 5.25 | 38 | 3-1734248-8 |
| | | | | | 36 | 31 | 10.25 | 6.33 | 30 | 6-1734248-0 |
| 5 | 52.4 | 26.2 | 56.4 | 56 | 43 | 38 | 11.60 | 7.68 | 37 | 3-1734248-7 |
| | | | | | 42 | 37 | 11.48 | 7.48 | 36 | 3-1734248-6 |
| | | | | | 41 | 36 | 11.21 | 7.29 | 35 | 3-1734248-5 |
| | | | | | 40 | 35 | 11.02 | 7.10 | 34 | 3-1734248-4 |
| | | | | | 39 | 34 | 10.83 | 6.91 | 33 | 3-1734248-3 |
| | | | | | 38 | 33 | 10.63 | 6.71 | 32 | 3-1734248-2 |
| | | | | | 37 | 32 | 10.44 | 6.52 | 31 | 3-1734248-1 |
| | | | | | 36 | 31 | 10.25 | 6.33 | 30 | 3-1734248-0 |
| | | | | | 35 | 30 | 10.06 | 6.14 | 29 | 2-1734248-9 |
| | | | | | 34 | 29 | 9.86 | 5.94 | 28 | 2-1734248-8 |
| 6 | 40.4 | 20.2 | 44.4 | 44 | 33 | 28 | 9.67 | 5.75 | 27 | 2-1734248-7 |
| | | | | | 32 | 27 | 9.00 | 5.56 | 26 | 2-1734248-6 |
| | | | | | 31 | 26 | 8.80 | 5.36 | 25 | 2-1734248-5 |
| | | | | | 30 | 25 | 8.61 | 5.17 | 24 | 2-1734248-4 |
| | | | | | 29 | 24 | 8.42 | 4.98 | 23 | 2-1734248-3 |
| | | | | | 28 | 23 | 8.23 | 4.79 | 22 | 2-1734248-2 |
| | | | | | 27 | 22 | 8.03 | 4.59 | 21 | 2-1734248-1 |
| | | | | | 26 | 21 | 7.84 | 4.40 | 20 | 2-1734248-0 |
| | | | | | 25 | 20 | 7.65 | 4.21 | 19 | 1-1734248-9 |
| | | | | | 24 | 19 | 7.46 | 4.02 | 18 | 1-1734248-8 |
| 8 | 28.4 | 14.2 | 32.4 | 32 | 23 | 18 | 7.26 | 3.82 | 17 | 1-1734248-7 |
| | | | | | 22 | 17 | 7.07 | 3.63 | 16 | 1-1734248-6 |
| | | | | | 21 | 16 | 9.20 | 5.16 | 15 | 1-1734248-5 |
| | | | | | 20 | 15 | 8.91 | 4.87 | 14 | 1-1734248-4 |
| | | | | | 19 | 14 | 8.62 | 4.58 | 13 | 1-1734248-3 |
| | | | | | 18 | 13 | 8.33 | 4.29 | 12 | 1-1734248-2 |
| 10 | - | 11.5 | 24.4 | 24 | 17 | 12 | 8.04 | 4.00 | 11 | 1-1734248-1 |
| | | | | | 16 | 11 | 7.73 | 4.13 | 10 | 1-1734248-0 |
| | | | | | 15 | 10 | 7.41 | 3.81 | 9 | 1734248-9 |
| | | | | | 14 | 9 | 7.08 | 3.48 | 8 | 1734248-8 |
| | | | | | 13 | 8 | 6.76 | 3.16 | 7 | 1734248-7 |
| | | | | | 12 | 7 | 6.44 | 2.84 | 6 | 1734248-6 |
| | | | | | 11 | 6 | 6.12 | 2.52 | 5 | 1734248-5 |
| 10 | 5 | 5.80 | 2.20 | 4 | 1734248-4 | | | | | |
| 9 | 4 | 5.48 | 1.88 | 3 | 1734248-3 | | | | | |

THIS DRAWING IS A CONTROLLED DOCUMENT.

DIMENSIONS: mm

TOLERANCES UNLESS OTHERWISE SPECIFIED:
 0 PLC ±
 1 PLC ±0.3
 2 PLC ±0.2
 3 PLC ±0.15
 4 PLC ±
 ANGLES ±3'

MATERIAL FINISH

STE TE Connectivity

1.0 MM FPC, ZIF VERTICAL, SMT TYPE

SIZE: A3 CAGE CODE: 00779 DRAWING NO: C=1734248

CUSTOMER DRAWING

SCALE: SHEET 2 of 2 REV E1

Mouser Electronics

Authorized Distributor

Click to View Pricing, Inventory, Delivery & Lifecycle Information:

[TE Connectivity:](#)

[2-1734248-7](#)