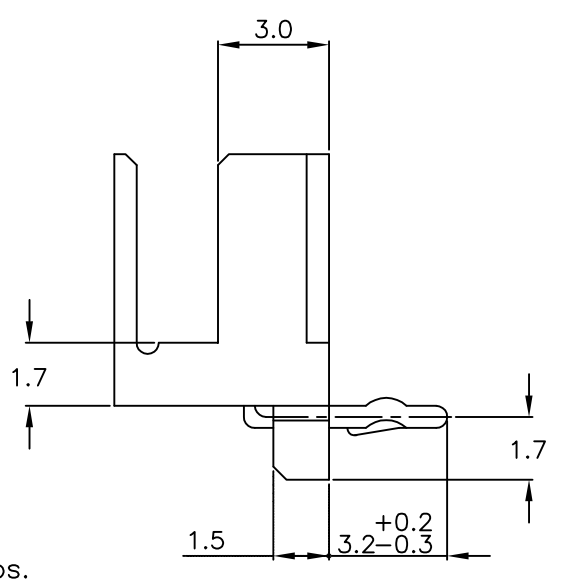
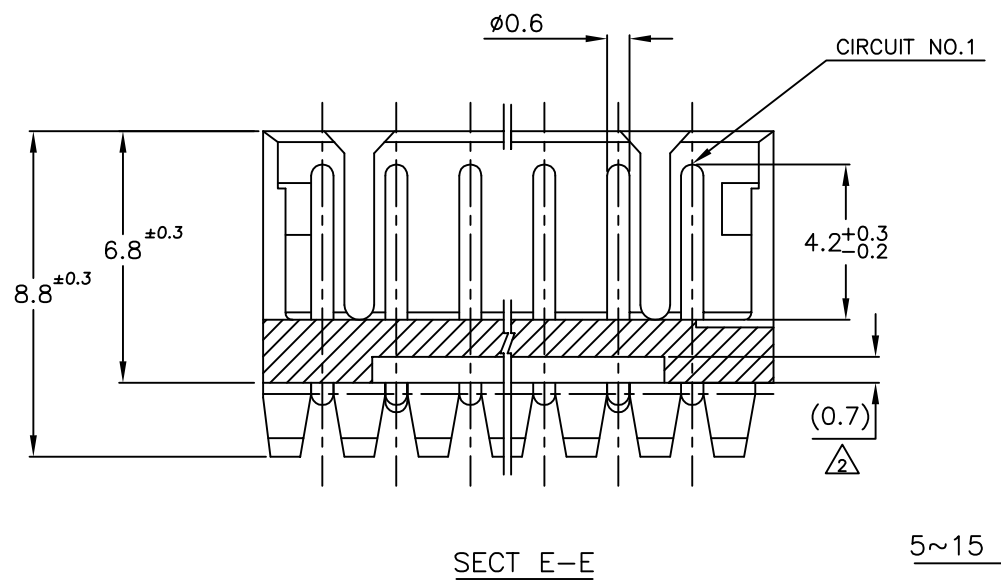
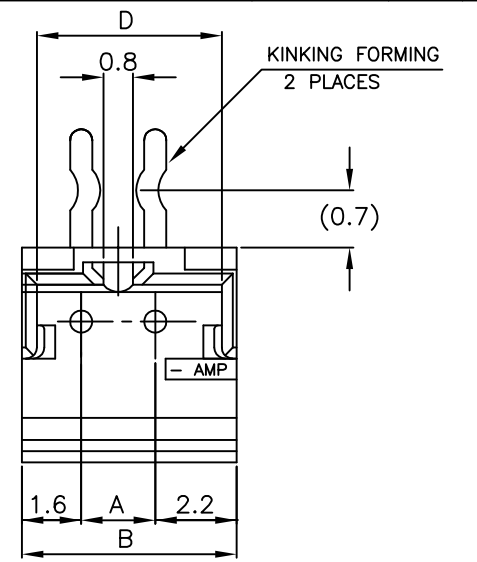
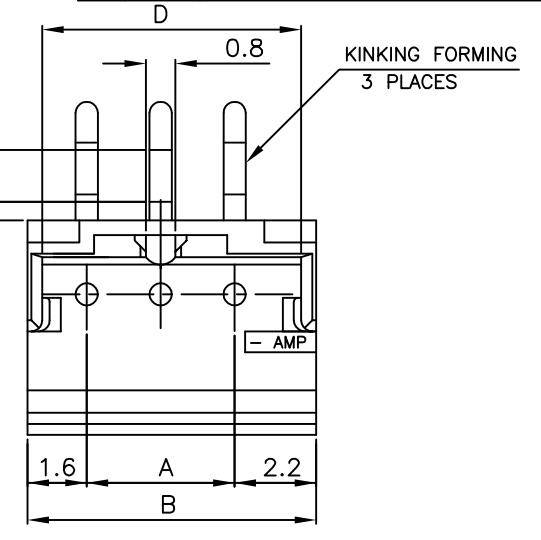
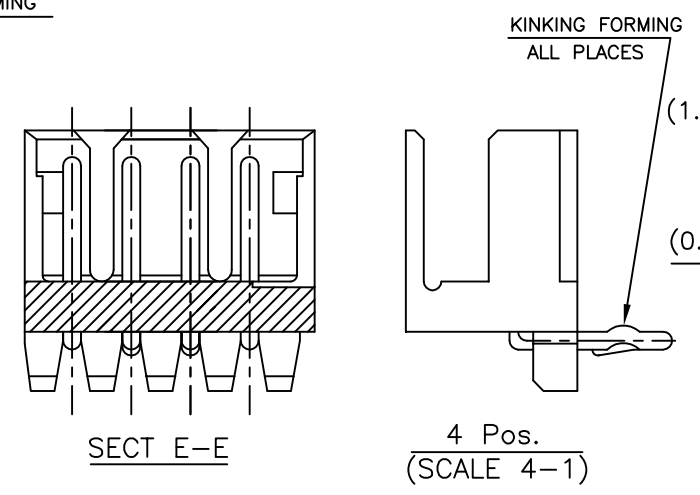
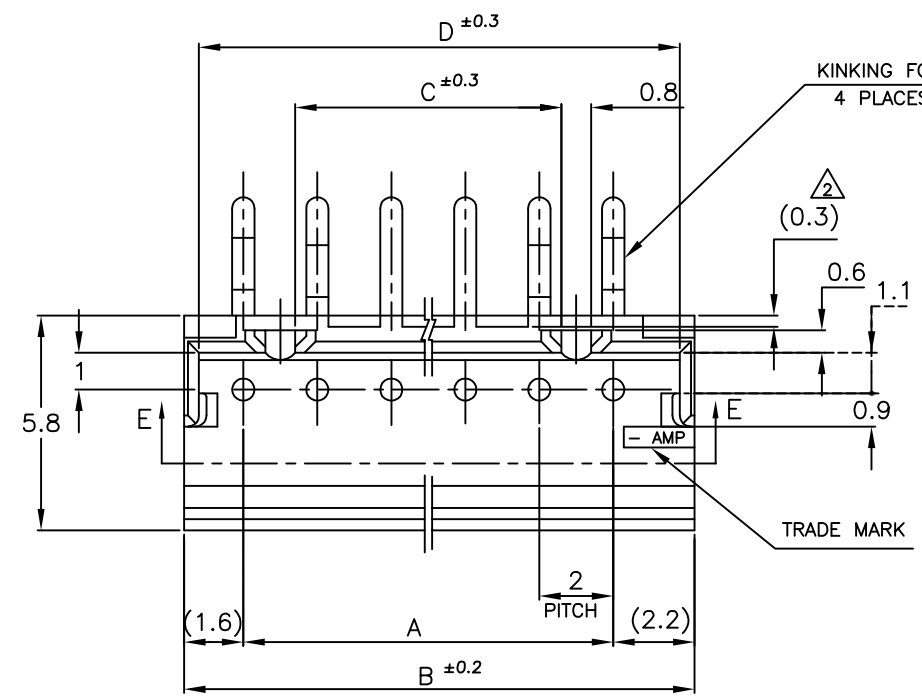


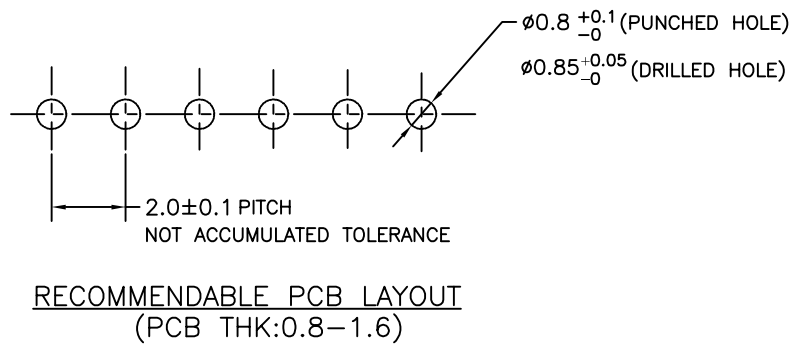
THIS DRAWING IS UNPUBLISHED. RELEASED FOR PUBLICATION  
 © COPYRIGHT - By - ALL RIGHTS RESERVED.

LOC	DIST	REVISIONS			DATE	DWN	APVD
FB	00	P	LTR	DESCRIPTION	15MAY14	T.Q	W.H
		P1	REVISED	ECR-14-006619			



7-292250-5	5-292250-5	3-292250-5	1-292250-5	15	28	31.8	25.2	31.0
7- ↑ -4	5- ↑ -4	3- ↑ -4	1- ↑ -4	14	26	29.8	23.2	29.0
7- ↓ -3	5- ↓ -3	3- ↓ -3	1- ↓ -3	13	24	27.8	21.2	27.0
7- ↑ -2	5- ↑ -2	3- ↑ -2	1- ↑ -2	12	22	25.8	19.2	25.0
7- ↓ -1	5- ↓ -1	3- ↓ -1	1- ↓ -1	11	20	23.8	17.2	23.0
7- ↑ -0	5- ↑ -0	3- ↑ -0	1- ↑ -0	10	18	21.8	15.2	21.0
6- ↓ -9	4- ↓ -9	2- ↓ -9		9	16	19.8	13.2	19.0
6- ↑ -8	4- ↑ -8	2- ↑ -8		8	14	17.8	11.2	17.0
6- ↓ -7	4- ↓ -7	2- ↓ -7		7	12	15.8	9.2	15.0
6- ↑ -6	4- ↑ -6	2- ↑ -6		6	10	13.8	7.2	13.0
6- ↓ -5	4- ↓ -5	2- ↓ -5		5	8	11.8	5.2	11.0
6- ↑ -4	4- ↑ -4	2- ↑ -4		4	6	9.8	3.2	9.0
6- ↓ -3	4- ↓ -3	2- ↓ -3		3	4	7.8	—	7.0
6-292250-2	4-292250-2	2-292250-2	292250-2	2	2	5.8	—	5.0
BLACK	YELLOW	BLUE	NATURAL	Pos.	A	B	C	D

NOTES:  
 1. MATERIAL: HOUSING - NYLON 66 (UL94V-0)  
 POST - TIN BRASS  
 △ 12 POS ~ 15 POS ONLY



THIS DRAWING IS A CONTROLLED DOCUMENT.

DWN	S.XU	31JAN03	TE Connectivity	
CHK	S.YAO	31JAN03		
APVD	T. SAKAI	31JAN03		
PRODUCT SPEC	NAME			
108-60016	POST HEADER ASS'Y BOX-H DIP (AMP CT CONNECTOR 2mm PITCH)			
APPLICATION SPEC	SIZE	CAGE CODE	DRAWING NO	RESTRICTED TO
—	A3	00779	C=292250	—
MATERIAL	FINISH	WEIGHT	SCALE	SHEET
SEE NOTE	SEE NOTE	—	5:1	1 OF 1
CUSTOMER DRAWING			REV	P1

# Mouser Electronics

Authorized Distributor

Click to View Pricing, Inventory, Delivery & Lifecycle Information:

[TE Connectivity:](#)

[292250-2](#)