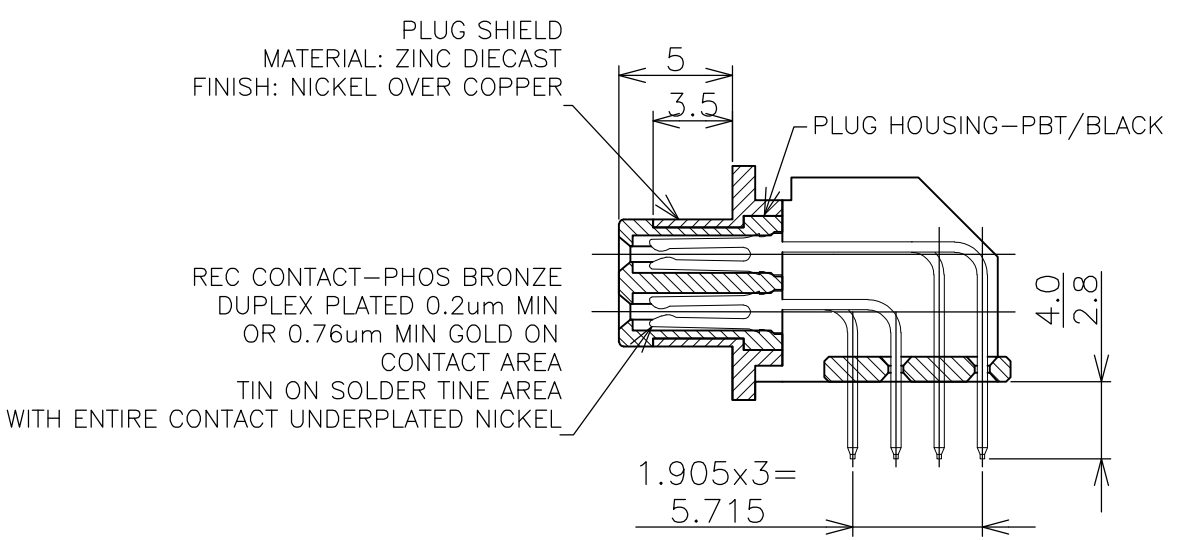
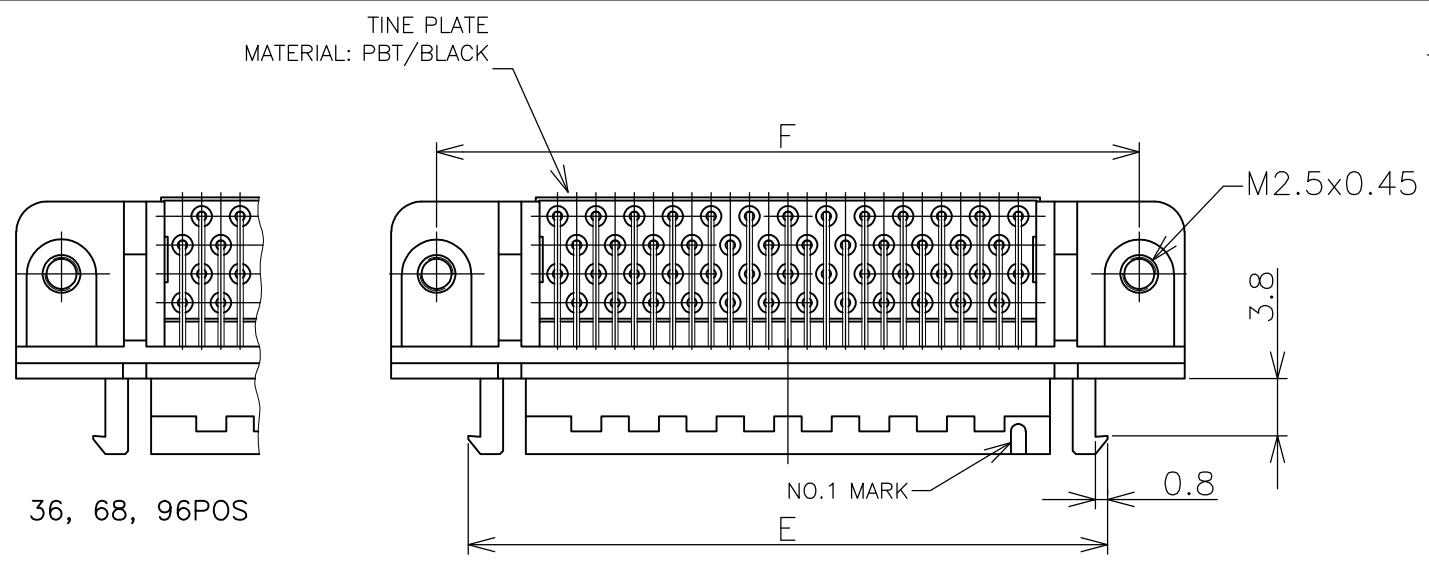


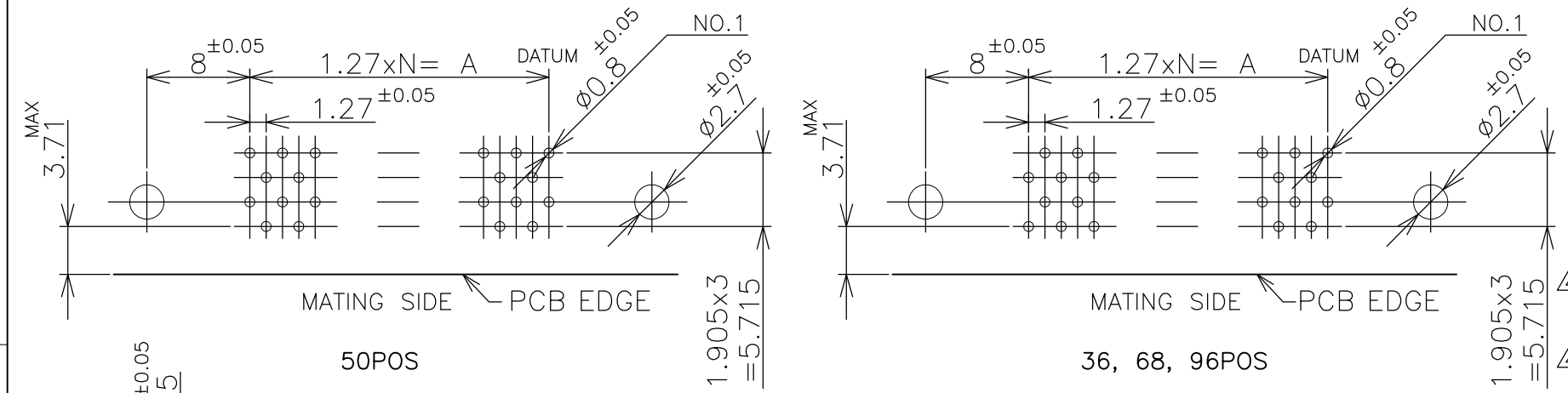
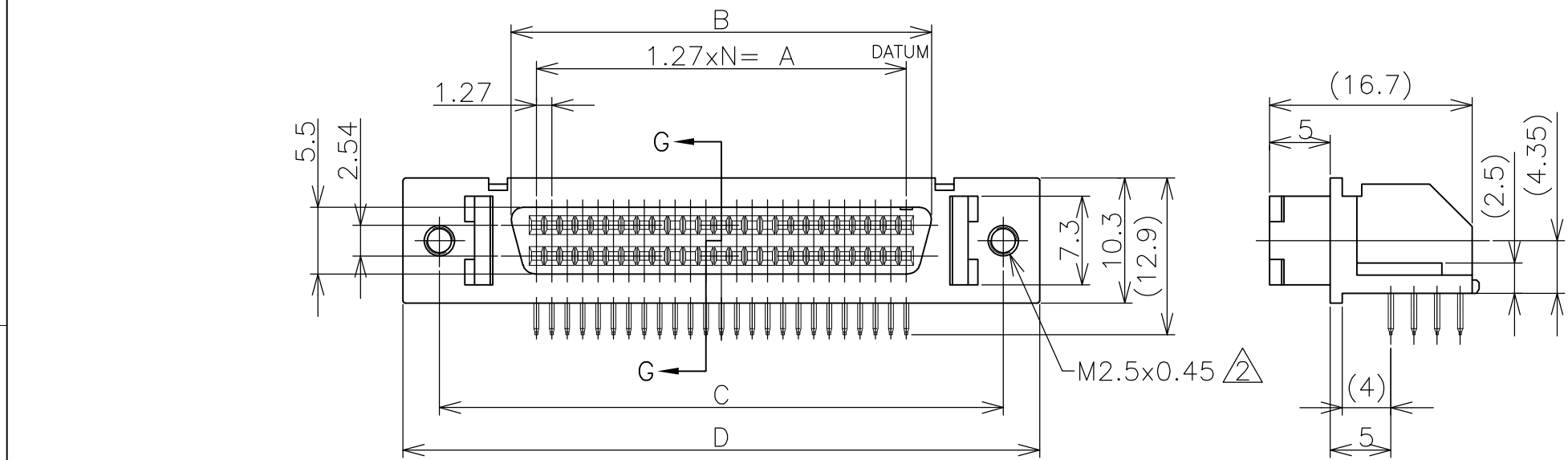
THIS DRAWING IS UNPUBLISHED. RELEASED FOR PUBLICATION SEP, 1994.
 © COPYRIGHT 1994 BY TYCO ELECTRONICS CORPORATION. ALL RIGHTS RESERVED.

LOC	DIST	REVISIONS					
ES	00	P	LTR	DESCRIPTION	DATE	DWN	APVD
			A1	REVISED PER ECO-10-000444	19JAN10	KK	HMR

-4; AS SHOWN



- 1 P.C BOARD HOLE LAY-OUT SEE FIG.1 AND QTY OF HOLE MUST BE COUNTED UP FROM DATUM LINE.
- 2 USED SCREW SIZE; M2.5x0.45
- 3 CONNECTOR TO BE MATED:
X-5174731-X, X-5175707-X.
- 4 OBSOLETE PARTS: OBSOLETE CIS STREAMLINING PER D.RENAUD/D.SINISI



SUPERSEDED BY 5787394-7	0.00076 MIN	68	33	41.91	46.08	57.9	63.9	53.71	57.9	2-	-5-
		50	24	30.48	34.65	46.5	52.5	42.28	46.5	2-	-4
OBSOLETE SUPERSEDED BY 5787394-7	0.0002 MIN	68	33	41.91	46.08	57.9	63.9	53.71	57.9		-5-
		50	24	30.48	34.65	46.5	52.5	42.28	46.5		-4
OBSOLETE		36	17	21.59	25.76	37.6	43.6	33.39	37.6	2-	-3-
		36	17	21.59	25.76	37.6	43.6	33.39	37.6		5174726-3-
	CONTACT GOLD PL.	POS	N	A	B	C	D	E	F		PART NO.

P.C. BOARD MOUNTING DIMENSIONS FIG.1

LEAD FREE

TOP OF SOLDER TINE SHAPE (SCALE 20:1)

GENERAL TOLERANCE

10 ≥ : ±0.2
 30 ≥ > 10: ±0.25
 100 ≥ > 30: ±0.3
 ANGLES: ±3°

THIS DRAWING IS A CONTROLLED DOCUMENT.

DWN Roy Hao 20Aug04
 CHK STEVEN YAO 20Aug04
 APVD I.ENOMOTO 20Aug04

Tyco Electronics Tyco Electronics Corporation
 Shanghai, P.R.China, 200233

NAME: **PLUG HEADER (HORIZONTAL/M2.5) AMPLIMITE .050 SERIES II CONNECTOR TYPE A**

108-60037-2

SIZE: A3 CAGE CODE: 00779 DRAWING NO: C-5174726 RESTRICTED TO: []

WEIGHT: []

CUSTOMER DRAWING SCALE: 2:1 SHEET: 1 OF 1 REV: A1

Mouser Electronics

Authorized Distributor

Click to View Pricing, Inventory, Delivery & Lifecycle Information:

[TE Connectivity:](#)

[5174726-4](#)