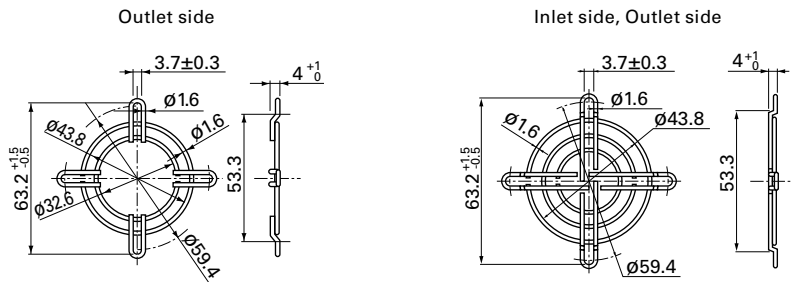


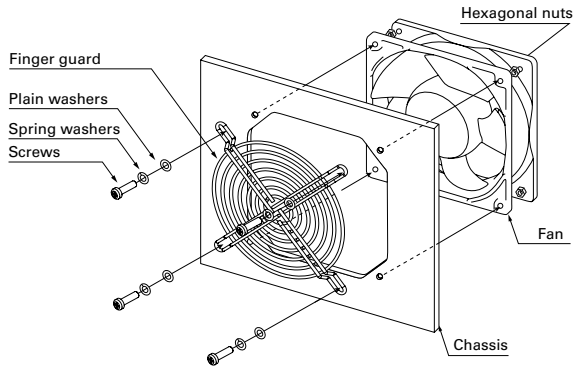
52 mm sq. type

Model no.	Surface treatment	Mass (g)	Model no.	Surface treatment	Mass (g)
109-149	Nickel-chrome plating (silver)	7	109-149E	Nickel-chrome plating (silver)	9



Mounting example

Axial fan



Mouser Electronics

Authorized Distributor

Click to View Pricing, Inventory, Delivery & Lifecycle Information:

[Sanyo Denki:](#)

[109-149](#) [109-149E](#)