

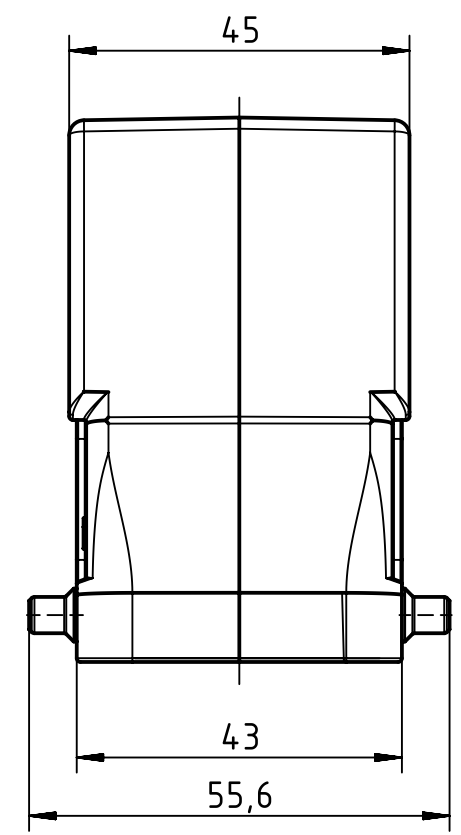
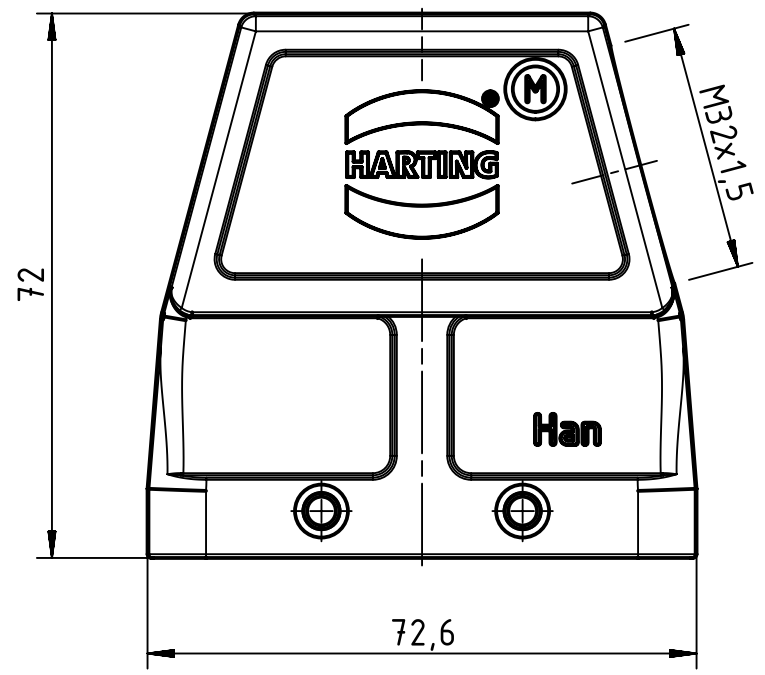
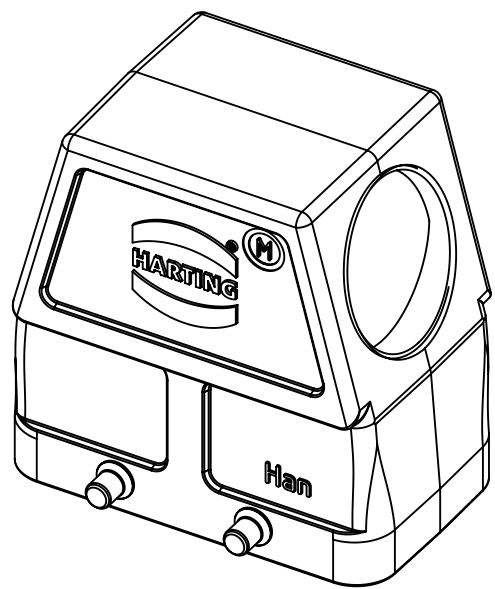
1 2 3 4 5 6

A

B

C

D



	All Dimensions in mm Original Size DIN A4		Scale 1:1	Free size tol.		Ref.
						Sub.
	All rights reserved		Created by SCHULZI	Inspected by MOOR	Standardisation TIEMANNA	Date 2014-10-29
	Department EL PD - DE		Title Han 10EMC/B-HSE-M32 (HT)			State Final Release
HARTING Electric GmbH & Co. KG D-32339 Espelkamp			Type TB	Number 19 62 810 0527		Doc-Key / ECM-Nr. 100233083/UGD/002/C 500000081229
					Rev. C	Page 1/1

Mouser Electronics

Authorized Distributor

Click to View Pricing, Inventory, Delivery & Lifecycle Information:

[HARTING:](#)

[19628100527](#)