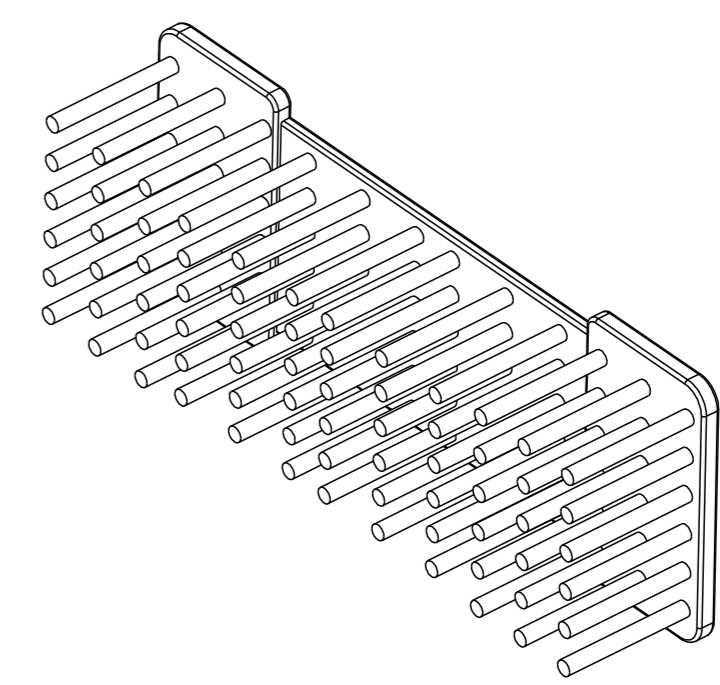
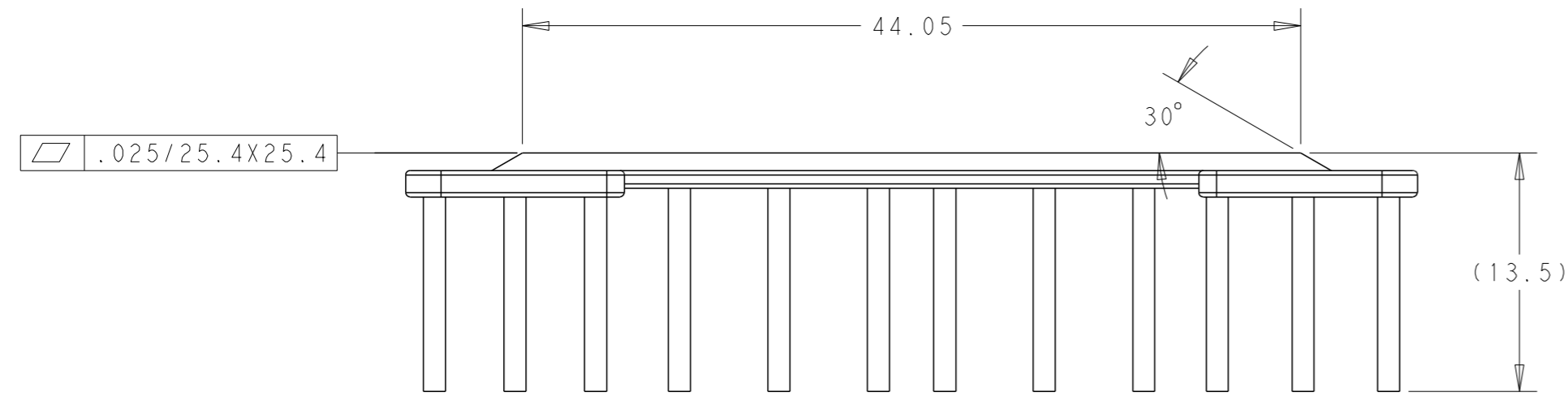
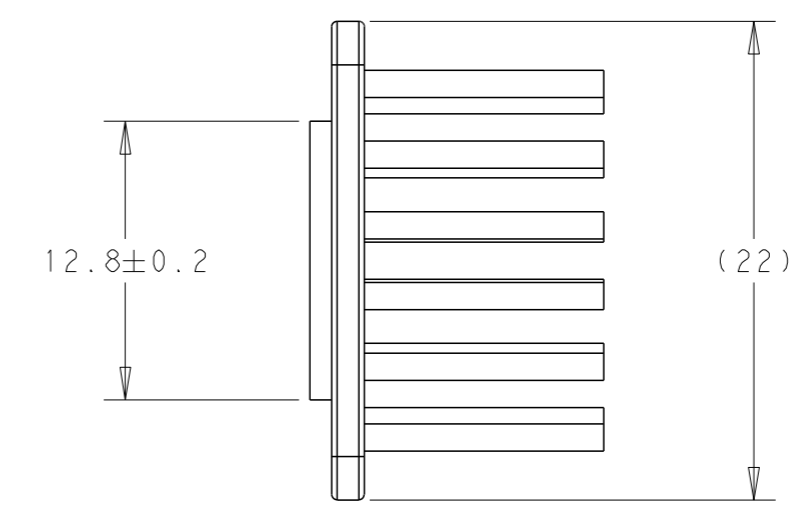
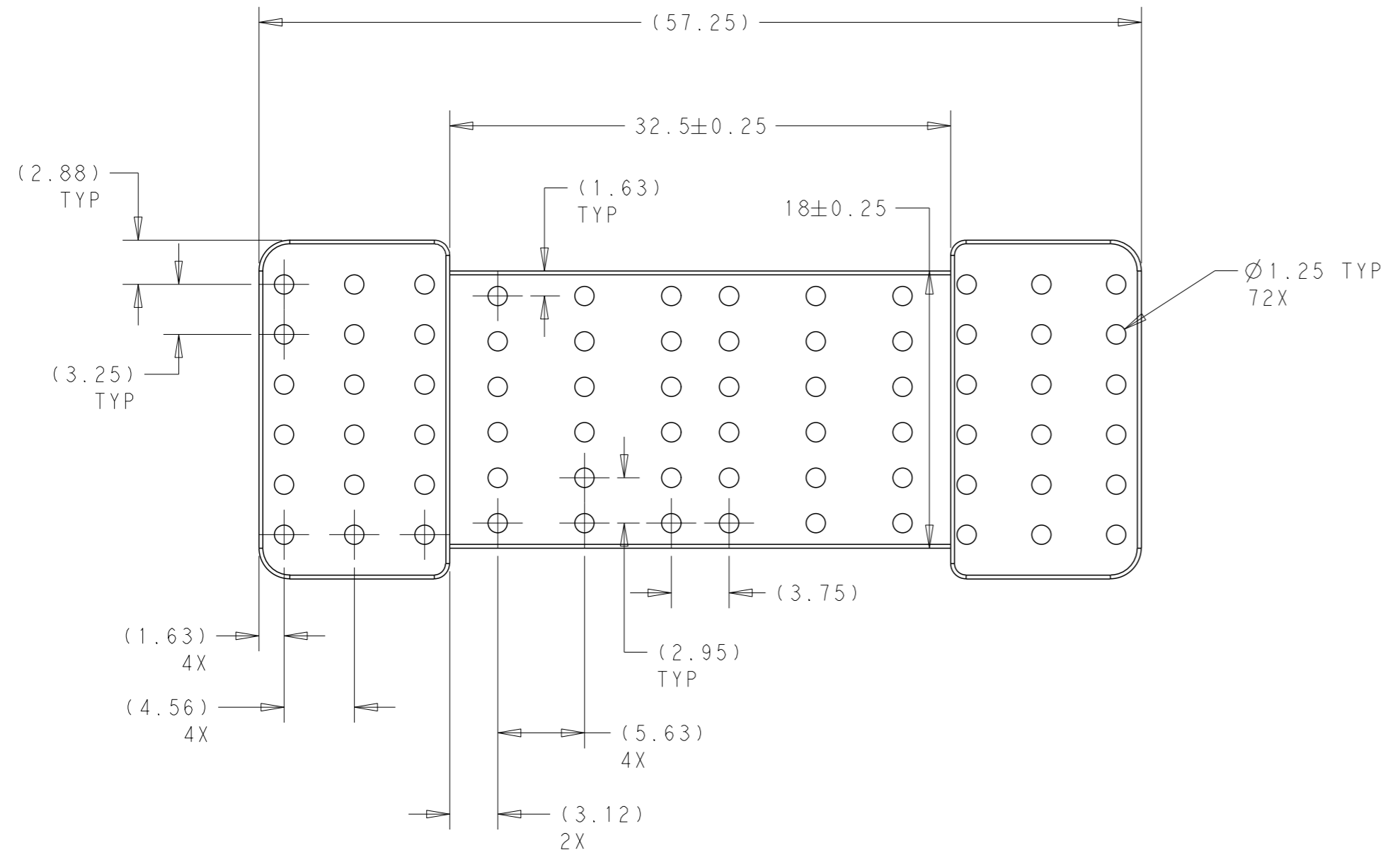


REVISIONS					
P	LTR	DESCRIPTION	DATE	DWN	APVD
	B	REVISED	28OCT2013	ML	CW



SCALE 2:1

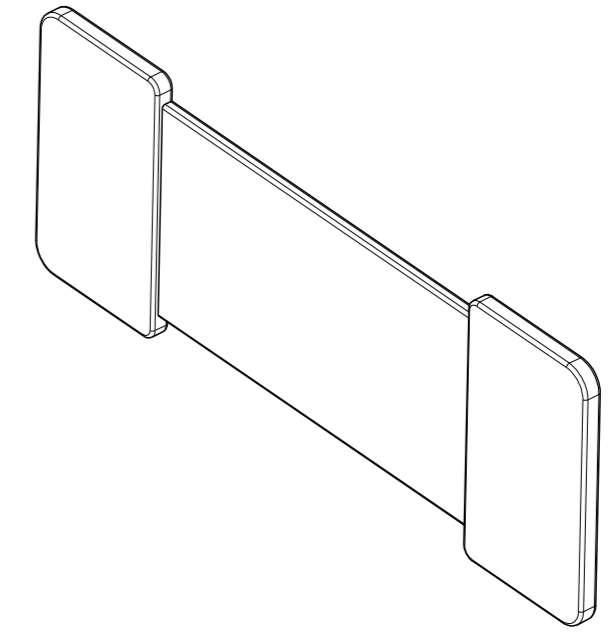
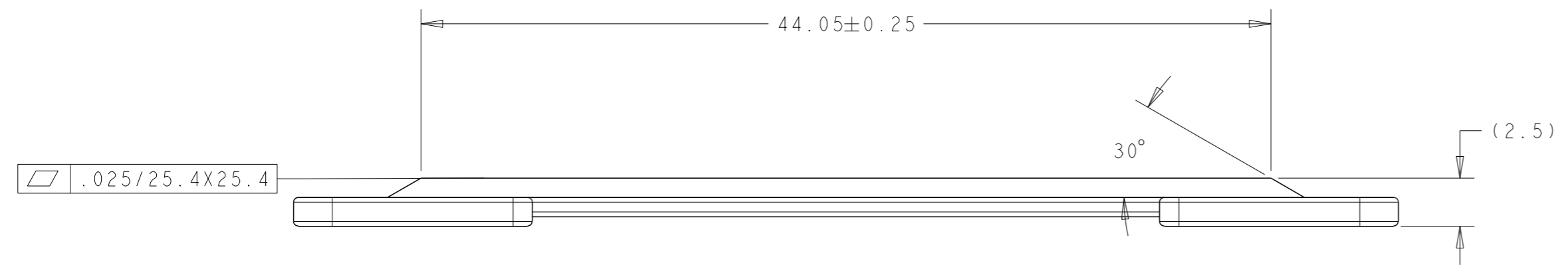
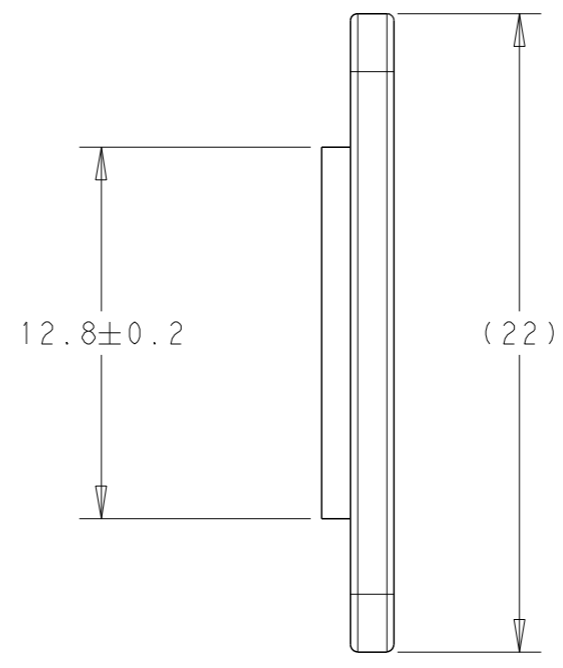
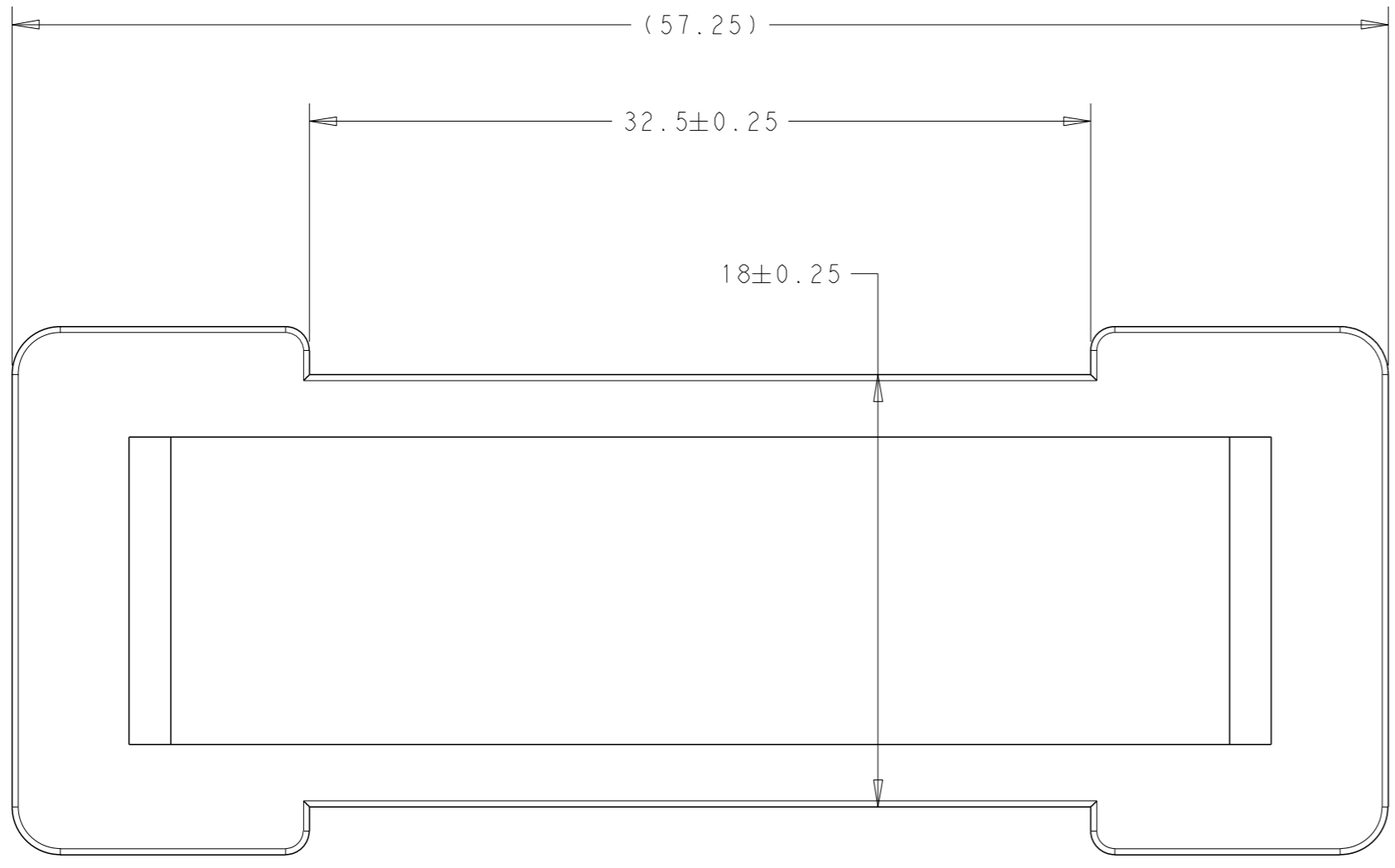
2110965-1 AS SHOW

- NOTES:
 UNLESS OTHERWISE SPECIFIED
 1. INTERPRET DRAWING PER ASME Y14.5M-1994
 2. RoHS COMPLIANT AND CERTIFIED.

2110965-2	HEAT SINK W/O POST
2110965-1	HEAT SINK W/ POST
PART NUMBER	DESCRIPTION

THIS DRAWING IS A CONTROLLED DOCUMENT.		DWN D. HUMBERT 21SEP2009	TE Connectivity				
DIMENSIONS: mm		CHK J. EABY 21SEP2009	NAME XFP, MSA NETWORK APPLICATION HEATSINK				
TOLERANCES UNLESS OTHERWISE SPECIFIED: 0 PLC ± 1 PLC ±.25 2 PLC ±.2 3 PLC ±.1 4 PLC ±.05 ANGLES ± FINISH -		APVD J. EABY 21SEP2009					
MATERIAL 6063-T5 ALUM		PRODUCT SPEC -	APPLICATION SPEC -	SIZE A2	CAGE CODE -	DRAWING NO ©=2110965	RESTRICTED TO -
CUSTOMER DRAWING			WEIGHT -	SCALE 2:1	SHEET 1 OF 2	REV B	

REVISIONS				
P	LTR	DESCRIPTION	DATE	APVD
-		SEE SHEET 1	-	-



2110965-2 AS SHOW

THIS DRAWING IS A CONTROLLED DOCUMENT.		DWN D. HUMBERT 21SEP2009																
DIMENSIONS: mm		CHK J. EABY 21SEP2009																
TOLERANCES UNLESS OTHERWISE SPECIFIED:		APVD J. EABY 21SEP2009	NAME XFP, MSA NETWORK APPLICATION HEATSINK															
<table border="0"> <tr> <td>0 PLC</td> <td>±</td> </tr> <tr> <td>1 PLC</td> <td>±.25</td> </tr> <tr> <td>2 PLC</td> <td>±.2</td> </tr> <tr> <td>3 PLC</td> <td>±.1</td> </tr> <tr> <td>4 PLC</td> <td>±.05</td> </tr> <tr> <td>ANGLES</td> <td>±</td> </tr> <tr> <td>FINISH</td> <td>-</td> </tr> </table>		0 PLC	±	1 PLC	±.25	2 PLC	±.2	3 PLC	±.1	4 PLC	±.05	ANGLES	±	FINISH	-	PRODUCT SPEC -	RESTRICTED TO -	
0 PLC	±																	
1 PLC	±.25																	
2 PLC	±.2																	
3 PLC	±.1																	
4 PLC	±.05																	
ANGLES	±																	
FINISH	-																	
MATERIAL 6063-T5 ALUM		APPLICATION SPEC -	SIZE A2	CAGE CODE -														
-		WEIGHT -	DRAWING NO ©=2110965	SCALE 2:1														
		CUSTOMER DRAWING	SHEET 2 OF 2	REV B														

Mouser Electronics

Authorized Distributor

Click to View Pricing, Inventory, Delivery & Lifecycle Information:

[TE Connectivity:](#)

[2110965-2](#)