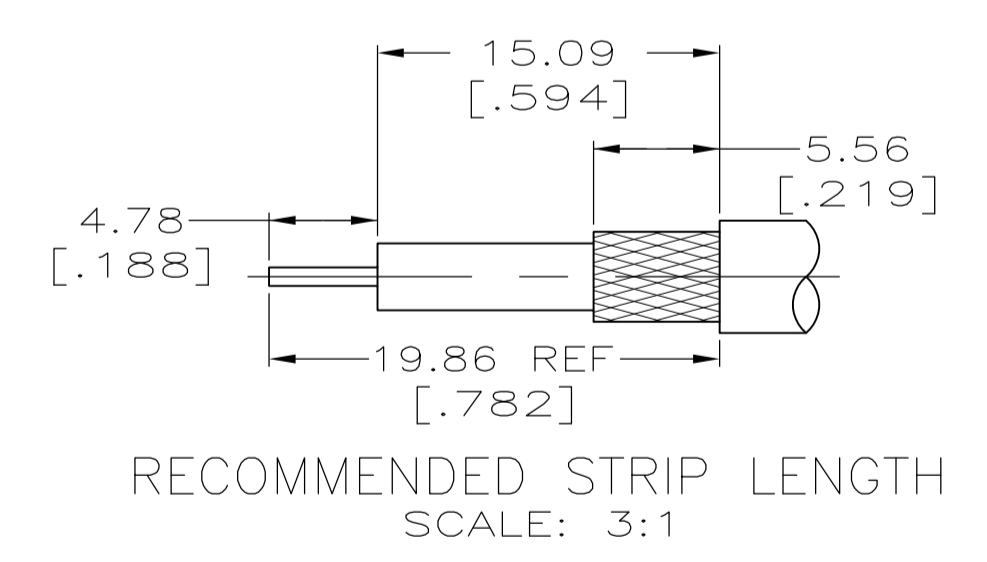
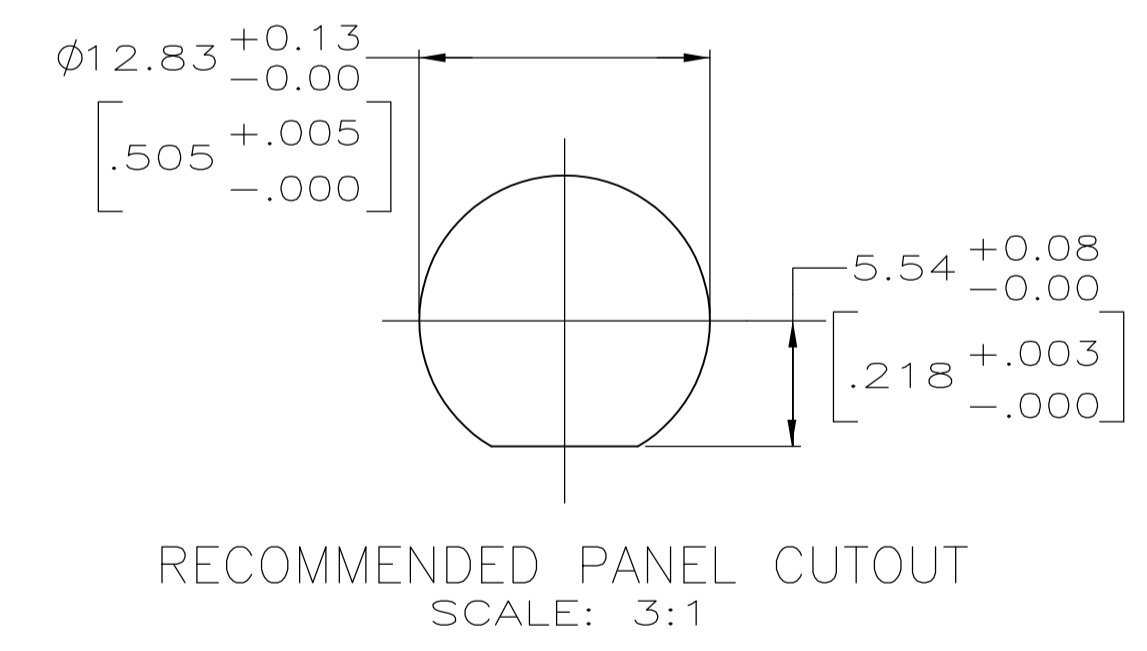
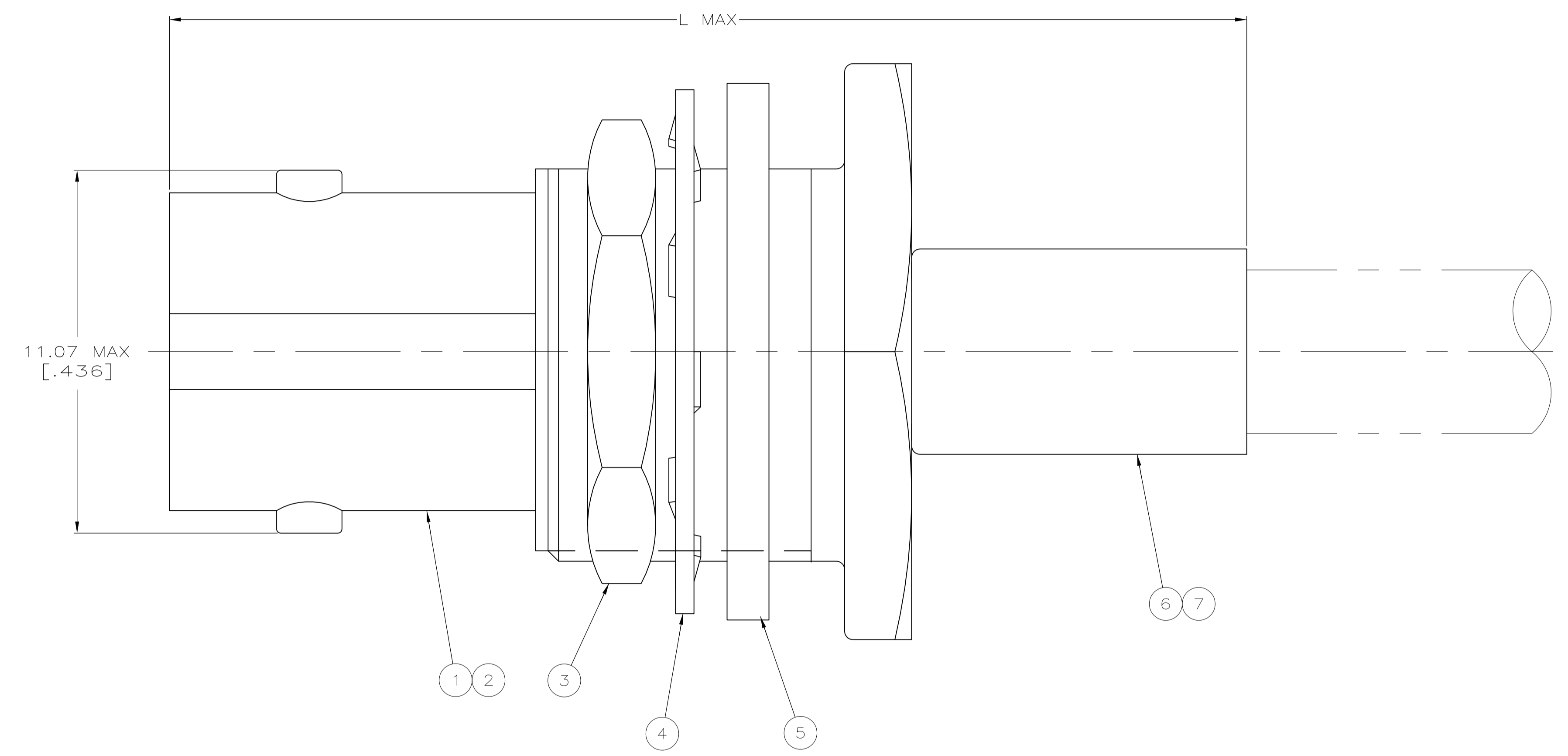


- 1. USE WITH PRO-CRIMPER 354940-1.
- 2. MAXIMUM PANEL THICKNESS: 6.10 [.240]
- 3. SEE INSTRUCTION SHEET 408-9051



|   |               |          |               |               |               |              |                  |               |               |                     |             |
|---|---------------|----------|---------------|---------------|---------------|--------------|------------------|---------------|---------------|---------------------|-------------|
| RG-174/U, 188/U, 316/U                      | 34.93 [1.375] | 220210-1 | 220009-5      | 21427-4       | 9-328666-0    | 329633       | 1-329632-2       | 1-329631-2    | 2-221149-0    | 227461-1            | 5228980-7   |
| RG-59/U, 59A/U, 59B/U, 62/U, 62A/U, 62B/U   | 34.93 [1.375] | 220189-2 | 220187-2      | -             | 9-50428-0     | 329633       | 1-329632-2       | 1-329631-2    | 1-221149-3    | 227461-3            | 5228980-6   |
| RG-58/U, 58A/U, 58B/U, 58C/U, 141/U, 141A/U | 34.93 [1.375] | 220189-1 | 220187-1      | -             | 9-50427-1     | 329633       | 1-329632-2       | 1-329631-2    | 221149-6      | 227461-2            | 5228980-5   |
| FOR USE WITH CABLE                          | L             | DIE SET  | CRIMP TOOLING | BUSHING QTY=1 | FERRULE QTY=1 | GASKET QTY=1 | LOCKWASHER QTY=1 | JAM NUT QTY=1 | CONTACT QTY=1 | JACK ASSEMBLY QTY=1 | PART NUMBER |

THIS DRAWING IS A CONTROLLED DOCUMENT.

|                         |  |                           |   |
|-------------------------|--|---------------------------|---|
| DIMENSIONS: mm [INCHES] | TOLERANCES UNLESS OTHERWISE SPECIFIED: | DIN J. HAVENER 31MAR2005  | TE Connectivity<br>JACK, BHD, COMMERCIAL, BNC |
|                         | 0 PLC ± -                              | APVD J. LIPPERT 31MAR2005 |   |
|                         | 1 PLC ± -                              | NAME                      |   |
|                         | 2 PLC ± 0.41 [016]                     | PRODUCT SPEC              |   |
|                         | 3 PLC ± -                              | APPLICATION SPEC          | SIZE CAGE CODE DRAWING NO RESTRICTED TO       |
|                         | 4 PLC ± -                              | WEIGHT                    | A1 00779 C=5228980                            |
| MATERIAL                | FINISH                                 | CUSTOMER DRAWING          | SCALE 10:1 SHEET 1 OF 1 REV A1                |

# Mouser Electronics

Authorized Distributor

Click to View Pricing, Inventory, Delivery & Lifecycle Information:

[TE Connectivity:](#)

[5228980-5](#)